

INSTALLATION GUIDE



Column Set 03

For Late 1967 – 1970 Mustang/Cougar
with Collapsible OEM Steering Shaft

P/N: TCP COLM-03

DESCRIPTION:

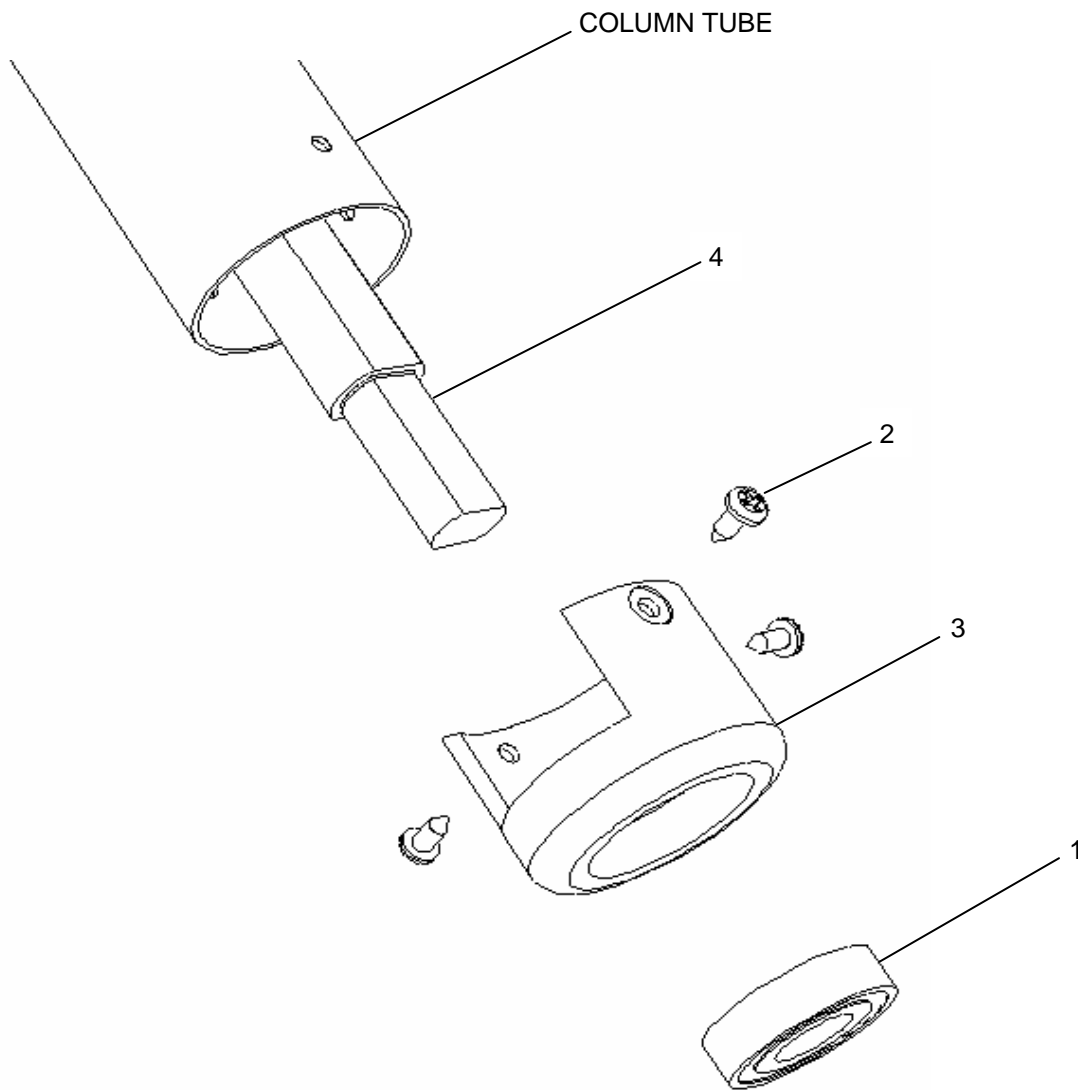
COLUMN SET 13-1/2" LONG SHAFT WITH LOWER COLUMN BEARING RETAINER ASSEMBLY

APPLICATIONS:

FITS LATE '67 – '70 MUSTANG/COUGAR WITH COLLAPSIBLE OEM STEERING SHAFT; IDENTIFIABLE BY EXPOSED STEERING SHAFT AT STEERING BOX MEASURING 1" DIAMETER DIRECTLY ABOVE RAG-JOINT

PARTS LIST

Item	Part No.	Description	Qty
1	3115-075-163-44	Ball Bearing .750 Bore x 1.625 OD x .4375 Wide	1
2	3118-10PP-0.50C	Screw 10 x 1/2" Long Pan Head Phillips Drive	3
3	7900-001	2-1/4" Diameter Column Bearing Retainer	1
4	7900-096	Column Shaft, 13-5/8" Long, Collapsible	1
5	7900-168	Gasket Column to Firewall	1



INSTRUCTIONS

1) STEERING COLUMN REMOVAL

- Unbolt rag-joint from steering box.
- Unbolt column floor mount and seal assembly from inner firewall.
- Disconnect turn signal harness from under the dash.
- Remove the steering column bracket from under dash.
- Remove column assembly from car.
- The OEM floor mount will be retained.

2) STEERING BOX REMOVAL

- Raise vehicle using lift or jack and secure with jack stands.
- Remove center link from pitman arm. A balljoint fork or similar tool may be required.
- Remove the three bolts attaching steering box to driver side frame rail (Fig. 2-2).
- Remove steering box from underneath the car. It may be necessary to remove the exhaust header or raise the engine to make room for the steering box to drop out (Fig 2-3).

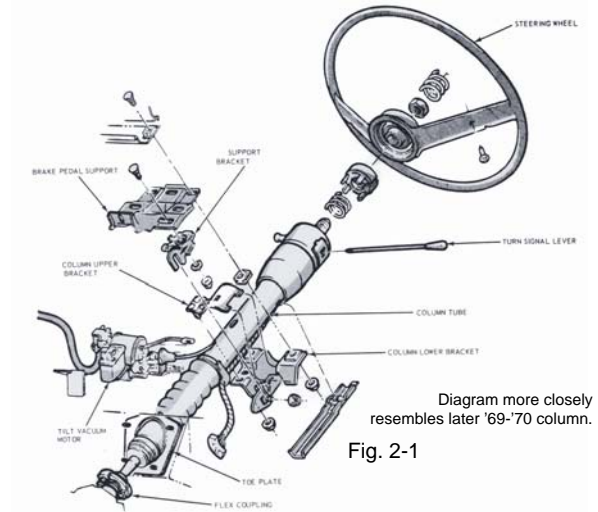
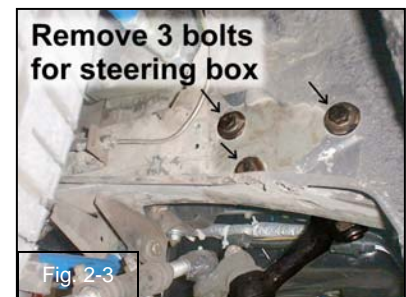


Fig. 2-1

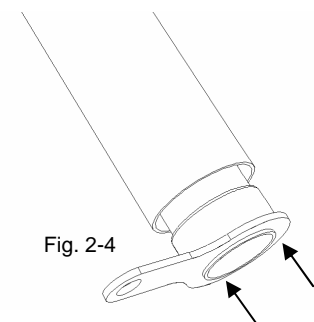
3) STEERING COLUMN PREPARATION

- Remove lower steering shaft from end of steering column.
 - A pair of vise-grip pliers clamped to the shaft and a mallet or hammer to drive the shaft out of the column by hitting the pliers works well.
- Remove plastic sleeve from bottom of steering column.
- *1970 only* - Tap inner sleeve of steering column flush with end of outer column tube (Fig. 2-4).
 - Use a rubber mallet or cover inner sleeve with a piece of wood before striking.



4) STEERING COLUMN ASSEMBLY

- Install steering shaft #7900-096 and bearing retainer assembly onto column.
 - Make sure that new female slip shaft engages with internal male shaft.
 - You may have to tap the new steering shaft onto internal shaft until blue bearing retainer is bottomed against steering column tube.
- Use a 9/64" or .140 diameter drill bit to drill holes into column through three holes in bearing retainer.
- Remove bearing retainer assembly and steering shaft to remove metal chips from inside of steering column.
- Re-install steering shaft and bearing retainer assembly.
- Secure bearing retainer to column using three stainless steel Phillips sheet metal screws.



5) STEERING COLUMN INSTALLATION

- Replace column to firewall seal with supplied part (Item 5).
- From the vehicle interior, insert column through hole in firewall.
- Adjust steering column to its original height and install upper dash bracket.
- Reattach factory lower column support and seal assembly using the original screws.
- Reconnect turn signal harness.

WARRANTY NOTICE:

There are **NO WARRANTIES**, either expressed or implied. Neither the seller nor manufacturer will be liable for any loss, damage or injury, direct or indirect, arising from the use or inability to determine the appropriate use of any product. Before any attempt at installation, all drawings and/or instruction sheets should be completely reviewed to determine the suitability of the product for its intended use. In this connection, the user assumes all responsibility and risk. We reserve the right to change specification without notice. Further, Chris Alston's Chassisworks, Inc., makes **NO GUARANTEE** in reference to any specific class legality of any component. **ALL PRODUCTS ARE INTENDED FOR RACING AND OFF-ROAD USE AND MAY NOT BE LEGALLY USED ON THE HIGHWAY.** The products offered for sale are true race-car components and, in all cases, require some fabrication skill. **NO PRODUCT OR SERVICE IS DESIGNED OR INTENDED TO PREVENT INJURY OR DEATH.**

**Total Control Products**

A Chris Alston's Chassisworks, Inc. Brand

8661 Younger Creek Drive

Sacramento, CA 95828

Phone: 916-388-0288

Technical Support: tcptech@cachassisworks.com