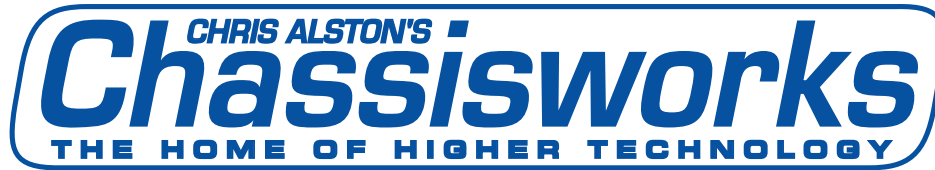


READ ALL INSTRUCTIONS COMPLETELY AND THOROUGHLY UNDERSTAND THEM BEFORE DOING ANYTHING.
CALL CHASSISWORKS TECH SUPPORT (916) 388-0288 IF YOU NEED ASSISTANCE.

INSTALLATION GUIDE



5917-LSR-S

Steel Side Motor Mounts (rear offset) - Chevy LS-Series

(Positions back of engine at V8 location)



Description: Steel motor mounts for Chevy LS engines. For use with Chassisworks subframes, front frame clips, and custom-fit engine frame adapters and engine crossmember. Positions back of engine at standard V8 location. Engine location may require tunnel or firewall modification.

WARRANTY NOTICE:

There are NO WARRANTIES, either expressed or implied. Neither the seller nor manufacturer will be liable for any loss, damage or injury, direct or indirect, arising from the use or inability to determine the appropriate use of any products. Before any attempt at installation, all drawings and/or instruction sheets should be completely reviewed to determine the suitability of the product for its intended use. In this connection, the user assumes all responsibility and risk. We reserve the right to change specification without notice. Further, Chris Alston's Chassisworks, Inc., makes **NO GUARANTEE** in reference to any specific class legality of any component. **ALL PRODUCTS ARE INTENDED FOR RACING AND OFF-ROAD USE AND MAY NOT BE LEGALLY USED ON THE HIGHWAY.** The products offered for sale are true race-car components and, in all cases, require some fabrication skill. **NO PRODUCT OR SERVICE IS DESIGNED OR INTENDED TO PREVENT INJURY OR DEATH.**

Chris Alston's Chassisworks
8661 Younger Creek Drive
Sacramento, CA 95828
Phone: 916-388-0288
Technical Support: sales@cachassisworks.com



PARTS LIST

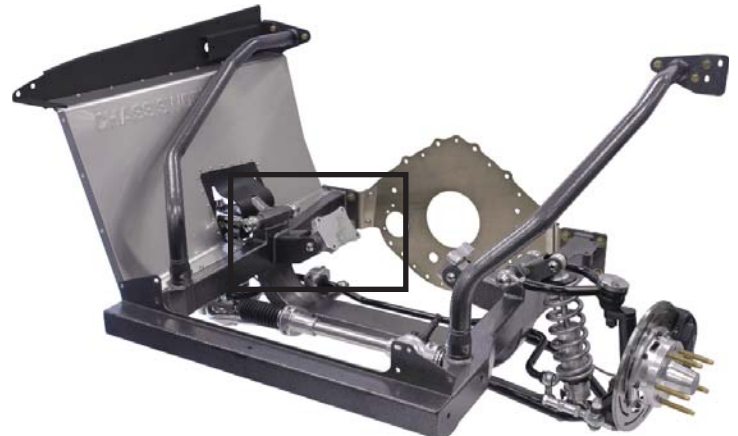
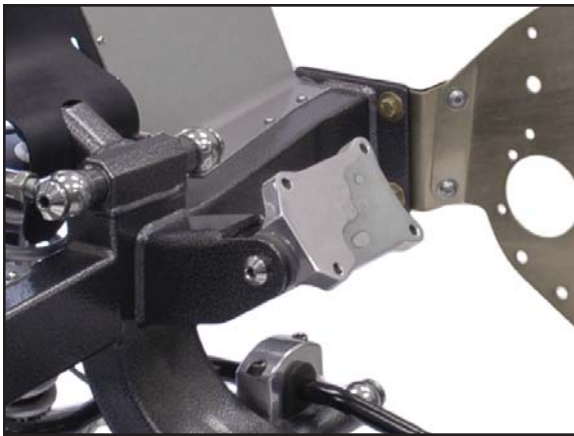
5917-LSR-S - Steel Side Motor Mounts (rear offset) for Chevy LS Engines

Qty	Part Number	Description
2	3100-050C3.50Y	Bolt 1/2-13 x 3-1/2", hex head,yellow zinc
2	3101-050-13C	Locknut 1/2-13
8	3108-M10R-C	Lockwasher 10mm, clear zinc
8	3146-10C-030-C	Socket Head Allen 10mm – 1.5p x 30mm (1.181")
1	7901-077	Chevy LS (long) driver-side mount
1	7901-078	Chevy LS (long) passenger-side mount

ORIENTATION

Images - Billet version of mount shown on Chevy II front clip.

Chassisworks Clips and Frames - The long extension of the mount must point toward the rear of the vehicle.



Custom-Fit Installations - The mount can be bolted to the engine block in either direction for greater flexibility in positioning the engine crossmember or frame adapters.



6060 - Billet-Mount Engine Crossmember



5322 & 5323 - Engine Mount Frame Adapter