

READ ALL INSTRUCTIONS COMPLETELY AND THOROUGHLY UNDERSTAND THEM BEFORE DOING ANYTHING.
CALL CHASSISWORKS TECH SUPPORT (916) 388-0288 IF YOU NEED ASSISTANCE.

INSTALLATION GUIDE



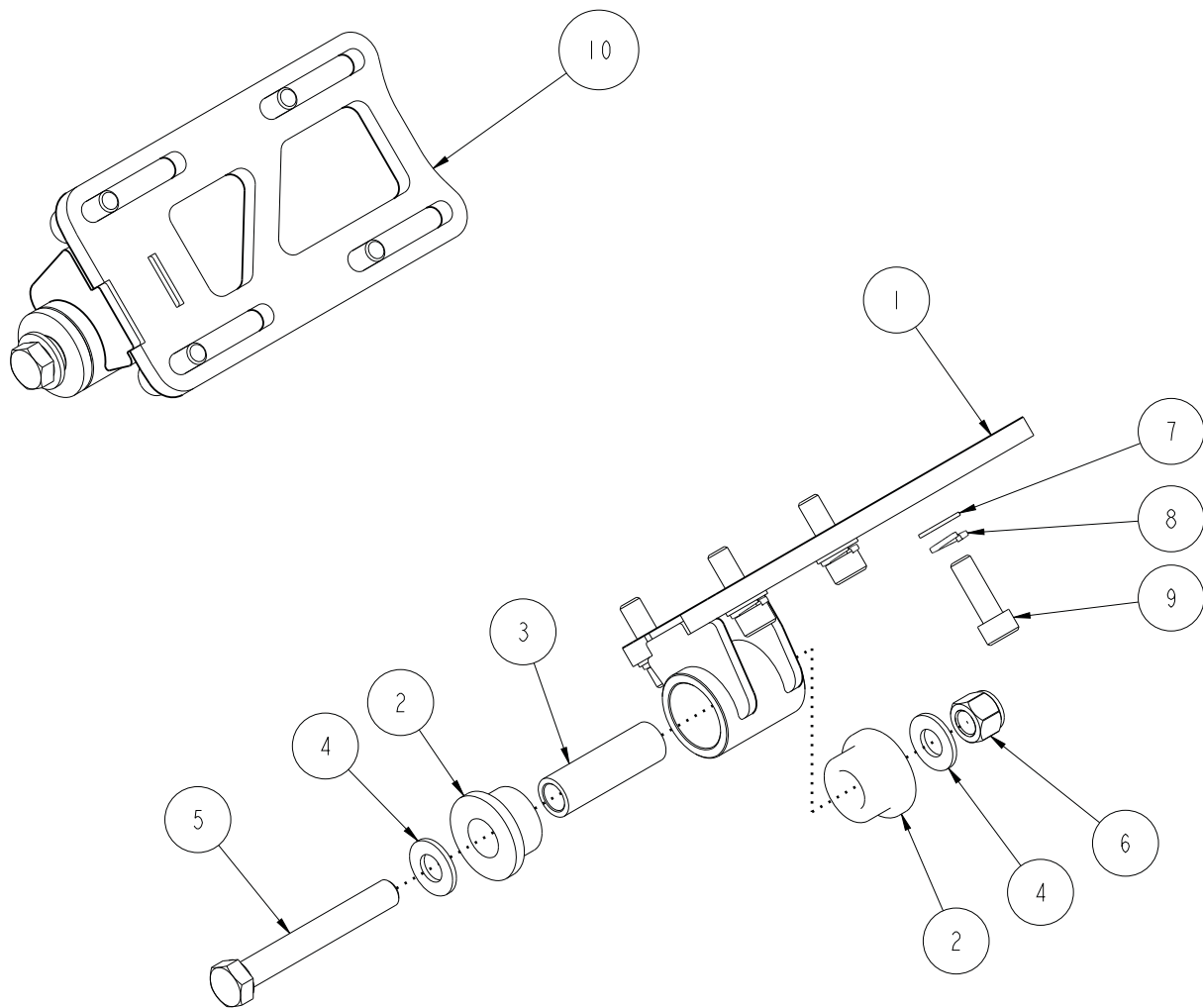
5917-LSA-S

Adjustable Steel Side Motor Mounts
Chevy LS-Series Engines
(Adjusts front of engine at V8 location)



Description: Steel motor mounts for Chevy LS engines. Position adjustable from front of engine at same location as V8 to back of engine rearward 3/4"; total adjustment of 2". For use with Chassisworks front frame clips and OEM frame adapters.

ITEM	QTY	PART NO.	DESCRIPTION
1	1	7972-2917	MOUNT WELDMNT, ADJUSTABLE, DRV, GM GEN3 LS ENGINE
2	4	7901-005	POLY BUSHING 3/4 BORE I 1/4 x 5/8 BARREL, I 5/8 X 7/32 FLANGE
3	2	3140-1624-077	SLEEVE, POLY BUSHING, \varnothing 3/4 x 1/2 x 2.406
4	4	3120-050S-Y	FLAT WASHER, 1/2 SAE, HARDENED, YELLOW ZINC
5	2	3100-050C3.75Y	HEX BOLT, 1/2-13 x 3 3/4, GRADE 8, YELLOW ZINC
6	2	3101-050-20C	LOCKNUT, 1/2-20, GRADE 5, NYLON INSERT, CLEAR ZINC
7	8	3120-038S-Y	FLAT WASHER, 3/8 SAE, HARDENED, YELLOW ZINC
8	8	3108-M10R-C	LOCK WASHER, HELICAL SPRING M10, STEEL, ZINC
9	8	3146-10C-030-C	SOCKET HEAD CAP SCREW, M10-1.5 x 30MM, CLEAR ZINC
10	1	7972-2918	MOUNT WELDMNT, ADJUSTABLE, PSGR, GM GEN3 LS ENGINE



DESCRIPTION		MOTOR MOUNTS, ADJUSTABLE, GM GEN3 LS ENGINE	
Chris Alston's CHASSISWORKS INC. 8661 YOUNGER CREEK DRIVE SACRAMENTO, CA 95828 (916) 388-0288 FAX 388-0295		PART NO.	5917-LSA-S
		4/15/20	DWG: 5917-LSA-S

PARTS LIST

5917-LSA-S - Adjustable Steel Side Motor Mounts for Chevy LS Engines

Qty	Part Number	Description
2	3100-050C3.75Y	Bolt 1/2-13 x 3-3/4", hex head,yellow zinc
2	3101-050-13C	Locknut 1/2-13 nylon insert, clear zinc
8	3108-M10R-C	Lockwasher 10mm, clear zinc
8	3120-038S-Y	Washer 3/8" flat SAE hardened, yellow zinc
4	3120-050S-Y	Washer 1/2" flat SAE hardened, yellow zinc
2	3140-1624-077	Sleeve 1/2" ID x 3/4" OD
8	3146-10C-030-C	Socket Head Allen 10mm – 1.5p x 30mm (1.181")
4	7901-005	Poly bushing, 3/4" bore
1	7972-2917	Chevy LS adjustable driver-side mount
1	7972-2918	Chevy LS adjustable passenger-side mount

ORIENTATION

Images - Billet version of mount shown on Chevy II front clip.

Chassisworks Clips and Frames - The long extension of the mount must point toward the rear of the vehicle.

Custom-Fit Installations - The mount can be bolted to the engine block in either direction for greater flexibility in positioning the engine crossmember or frame adapters.



WARRANTY NOTICE:

There are NO WARRANTIES, either expressed or implied. Neither the seller nor manufacturer will be liable for any loss, damage or injury, direct or indirect, arising from the use or inability to determine the appropriate use of any products. Before any attempt at installation, all drawings and/or instruction sheets should be completely reviewed to determine the suitability of the product for its intended use. In this connection, the user assumes all responsibility and risk. We reserve the right to change specification without notice. Further, Chris Alston's Chassisworks, Inc., makes **NO GUARANTEE** in reference to any specific class legality of any component. **ALL PRODUCTS ARE INTENDED FOR RACING AND OFF-ROAD USE AND MAY NOT BE LEGALLY USED ON THE HIGHWAY.** The products offered for sale are true race-car components and, in all cases, require some fabrication skill. **NO PRODUCT OR SERVICE IS DESIGNED OR INTENDED TO PREVENT INJURY OR DEATH.**

Chris Alston's Chassisworks
8661 Younger Creek Drive
Sacramento, CA 95828
Phone: 916-388-0288
Technical Support: sales@cachassisworks.com

