

CHRIS ALSTON'S Chassisworks

THE HOME OF HIGHER TECHNOLOGY

Pro-Touring - GM Muscle Car - g-Machines - RestoMods

ALL NEW gStreet Pro-Touring Chassis!



Pro-Touring to the next level...

"The ultimate bumper-to-bumper chassis solution for high-horsepower, big-tire, pro-touring projects..."

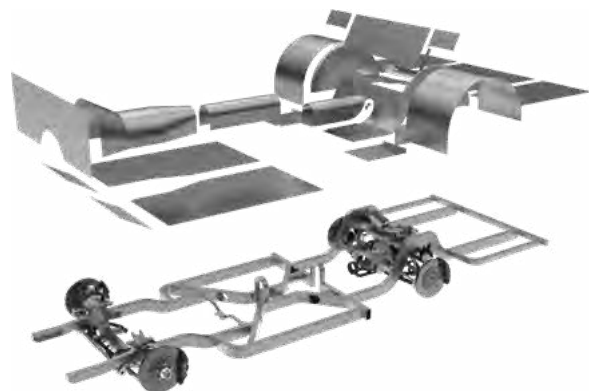
**LOADS OF
NEW PARTS
INSIDE**



"Fits 335/30-19 (13.18" section width) front and 345/30-20 (14.25" section width) rear tires..."

Table of Contents

Online Product Information Resources..... 4
 Chassisworks Brands 6
 Terms and Conditions 115



Complete Chassis and Floor System 8
 Chassis and Suspension Styles..... 8
 Sheet Metal (Complete Tin Kit) 9
 Chassis Accessory Kit..... 10
Front A-Arm Crossmember 11
 Crossmember, Frame Clip, Accessories 11
 A-Arm Suspension Systems..... 12
 Shock Options..... 16
 Control Arms..... 17
 Billet-Aluminum Upright (Spindle) and Brakes..... 18
 Sculpted (Iron) Spindles and Brakes..... 20
 Drag Race Spindles and Brakes..... 21
 Anti-Roll Bars..... 22
 Steering System Components 23



Rear Frame Clip Systems..... 24
 Independent Rear Suspension (IRS) 24
 Canted 4-Link 26
 Torque-Arm Watts-Link 28
 Parallel 4-Link Systems 30
 Ladder Bar Systems..... 32



gStreet Pro-Touring Chassis System 36
 Camaro, Chevelle, GTO, Mustang..... 37
 Body Fixture and Cart 38
 Exact-Fit Roll Bars and Cages 39
 Front Suspensions 39
 Rear Suspensions..... 42
gStreet Rear Frame Clips 44
 Canted 4-Link 44
 Torque-Arm Watts-Link 46
 Independent Rear Suspension (IRS) 48
 Exact-Fit Roll Cages, Roll Bars..... 50
 gStreet Fuel Tank System 52
 Engine Mounts..... 52



g-Machine Clip/Subframe Systems 54
 Chevy II, GM F-Body, GM X-Body..... 54
 Chevy II Specific Components..... 56
 GM F-Body, GM X-Body Specific Components 57
 Motor and Mid Plates 58
 Side Engine Mounts 59
 Front Suspension Systems..... 60
 Spindles and Uprights..... 65
 Control Arms..... 65
 Brake Kits..... 66
Chevy II Bolt-On Strut Clip..... 67

Table of Contents



g-Connector System..... 68
 Direct-Fit Motor Mounts 69
 Direct-Fit Transmission Crossmembers 70



Bolt-In Replacement Shocks 81
 Bolt-In Coil-Over Conversions..... 84



Billet-Aluminum Spindles..... 71
 Forged Spindles 71
 Bump-Steer & Tie-Rod Assemblies 73
 Anti-Roll Bar Hardware..... 74



Rear Control Arms..... 87
 Anti-Roll Bar (GM A-Body)..... 90
 Leaf Spring FAB9 Housings 91
 OEM 4-Link FAB9 Housings (Stock Spring) 92
 OEM 4-Link FAB9 Housings (Coil-Over Conversion)..... 95
 OEM Torque Arm FAB9 System 96



Front Suspensions 75
 Control Arms..... 78
 Wilwood Performance Brakes 80



Rear Suspension Systems 97
 Torque Arm Conversion (Custom-Fit) 97
 Torque Arm Conversions (Retrofit) 97
 g-Link Suspensions for OEM 4-Link 102
 g-Link Conversions for OEM Leaf Springs 106
 Wheel Tubs 110
 9" Third-Member Packages..... 111
 Custom Axle Packages 112

READY TO CUSTOMIZE
 The majority of our weld-assembled products may arrive partially assembled and in bare metal to streamline the process for your custom finishing.

Online Product Information Resources

CHASSISWORKS

Product Datasheets

When you are looking for detailed product information look no further than our product datasheets. Product datasheets feature numerous full-color photos including multiple views and close-up shots, extensive product descriptions with specific details given on important aspects of each product, and a complete pricing and options guide to help plan your project.



E-Store and Product Information

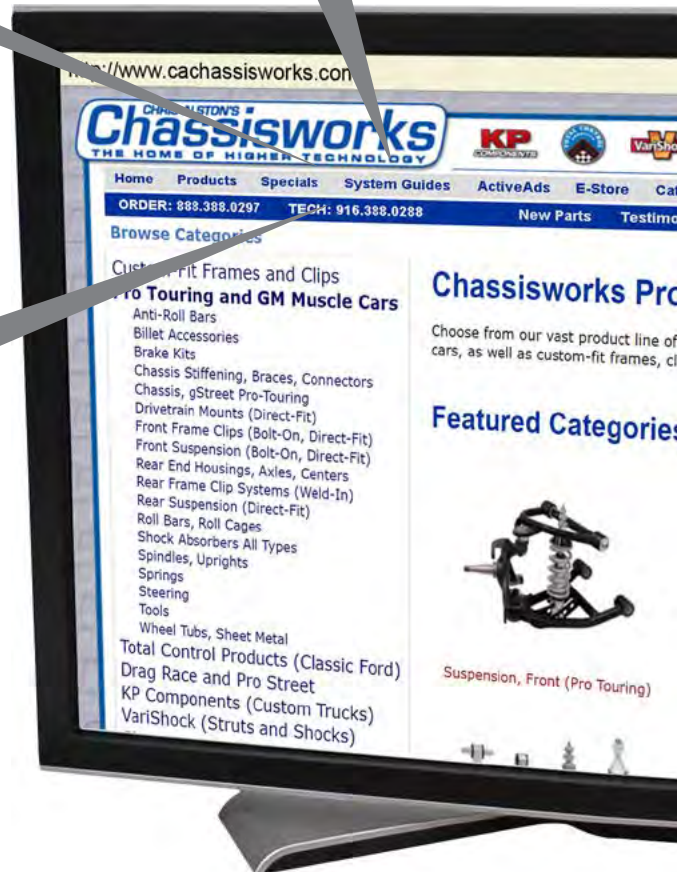
In addition to being a convenient place to buy high-quality parts, our ever-expanding internet store also serves as an excellent resource for researching product specifications. Each product page gives you one-click access to all associated product documentation including the specific catalog page, product datasheet, installation guide, and any how-to, product-tech, or magazine articles.

- View Larger Image
- Catalog Page
- Datasheet
- How To Story
- Tech Tip
- Installation Guide



Installation Guides

All product installation guides, booklets, and parts lists are made available through our website to provide you the opportunity to become well versed on the installation process before making your purchase. Many of our installation guides feature step-by-step photo illustrations and exploded line drawings to quickly and accurately identify parts and their correct placement.



Online Product Information Resources

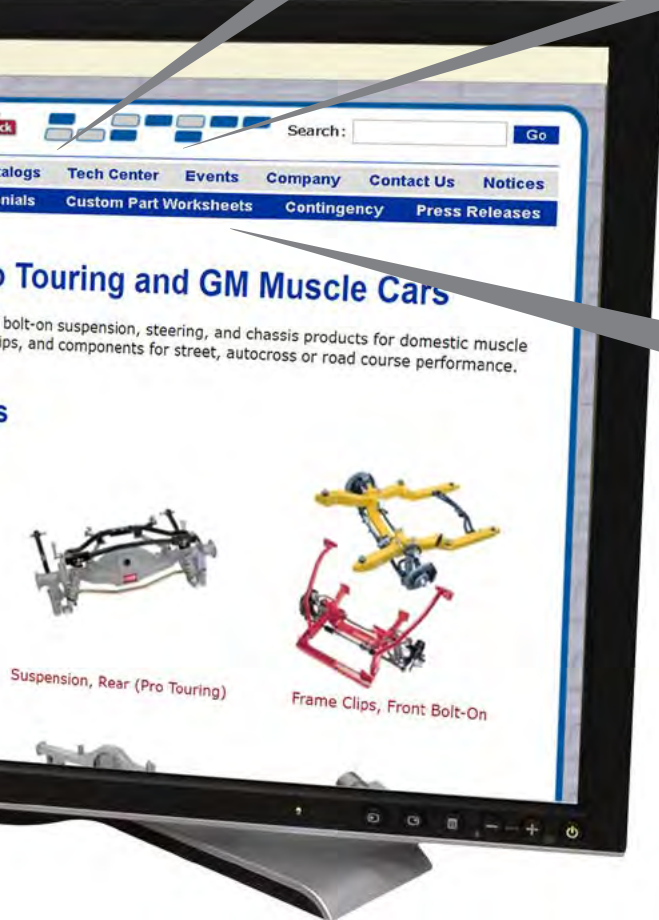
■ Catalogs and Buyers Guides

Each of the Chris Alston's Chassisworks product-brand catalogs and buyers guides can be downloaded to view or print from the convenience of your own computer. Catalogs are presented as full-color, text searchable PDF files in their entirety or as smaller, modem-friendly sections. Available product lines include Chassisworks, KP Components, Total Control Products, and VariShock.



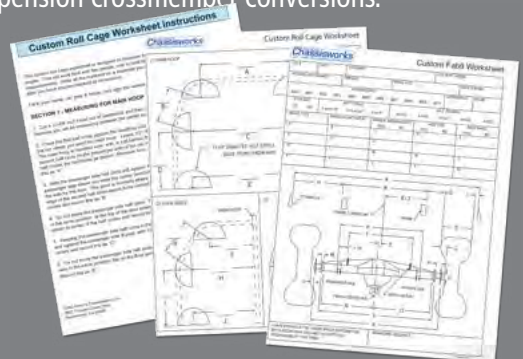
■ How-to and Tech Stories

A great way to see how our products can apply to your project is through our collection of How To installation articles, informative Product Tech stories, and variety of magazine features. The scope of articles covers topics such as choosing the correct product, complete execution of a fabrication project, and the intricacies of proper chassis and suspension tuning.



■ Custom Part Worksheets

One of Chassisworks' best developed specialties is our ability to quickly and accurately build custom parts for your specific project. To ensure that you get exactly what you need a detailed custom part worksheet must be correctly filled out. Detailed worksheet instructions are included, explaining specific measurements and any necessary calculations. Worksheets are required for custom roll cages, FAB9 rearend housings, and g-Machine front suspension crossmember conversions.



Chassisworks Brands

CHASSISWORKS

Pro Touring

Choose from our vast product line of bolt-on suspension, steering, and chassis products for domestic muscle cars, as well as custom-fit frames, clips, and components for street, autocross or road course performance.



Direct-Fit GM Pro Touring and Muscle Cars

Custom Fit

Our complete chassis, tink kit, frame clip and suspension systems avoid the expense and hassle of extensive floor repairs on your custom-built car or truck.



- Pro-Touring Muscle Cars
- Street Rods
- Custom Trucks
- Pro-Street and more...



Full Frames, Clips and Crossmember Systems

Drag Race

Beginning with development of the first door slammer chassis kits in the mid 1970s, Chassisworks Drag Race continues to focus on installer-friendly kits and components to get you on track in less time.



Doorslammer Drag Race and Pro Street

Chassisworks Brands

Total Control Products

For over 25 years, Total Control Products has continued to set higher standards for suspension and steering performance.



- Mustang
- Cougar
- Falcon
- Fairlane
- Maverick



Vintage Mustang & Classic Ford (1960-1977)

KP Components

Pioneers of the cantilever system, KP Components innovative suspension systems and frame clips take sport truck suspension to a whole new realm.



Sport Truck Suspension (1960-2015)

VariShock

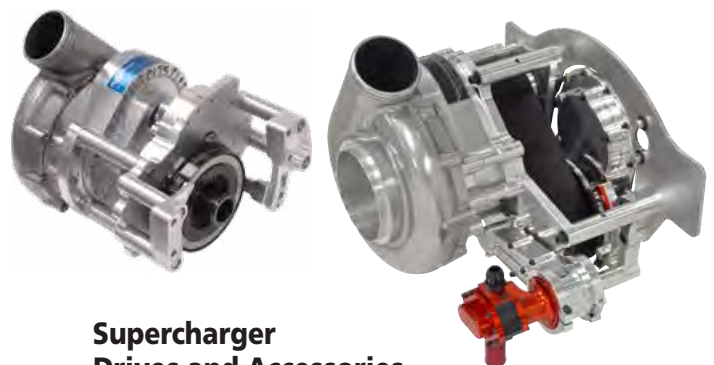
Chassisworks' in-house brand of shock absorbers, VariShock, has grown to include products for a broad range of performance and enthusiast markets.



Coil-Overs, Shocks and Struts

Component Drive Systems

Extremely high-quality, direct bolt-on, gear- and belt-driven accessory systems for popular racing and street-performance engines.

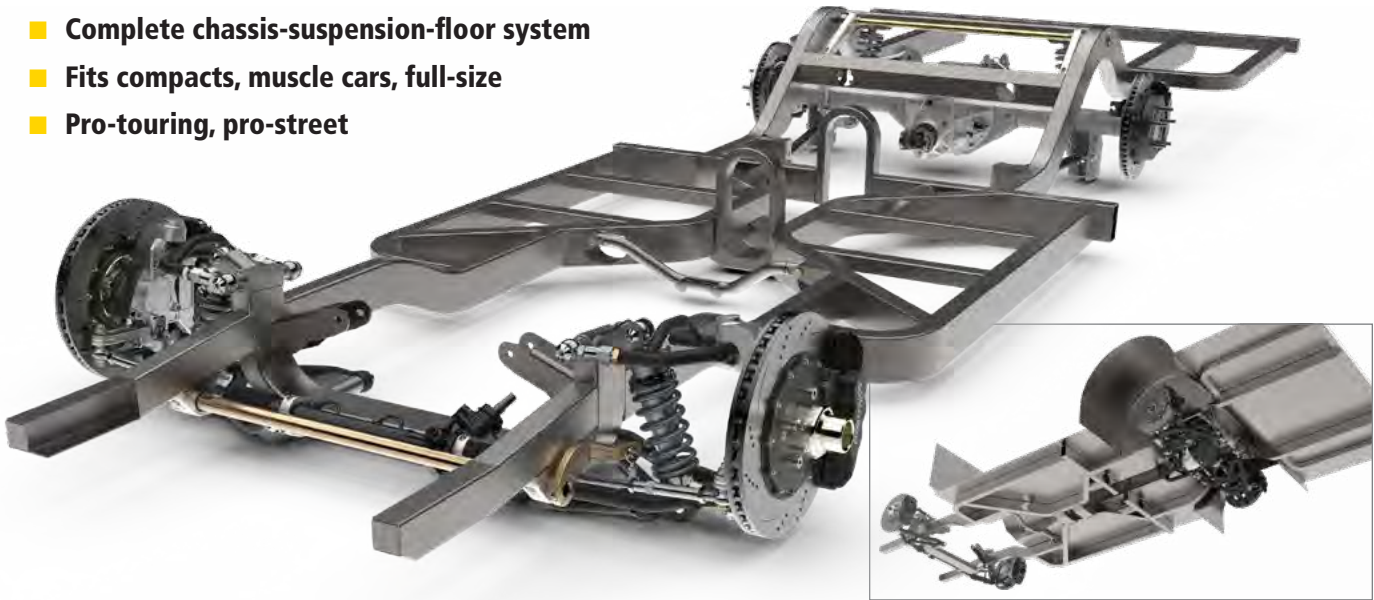


Supercharger Drives and Accessories

Custom-Fit Chassis System

- Complete chassis-suspension-floor system
- Fits compacts, muscle cars, full-size
- Pro-touring, pro-street

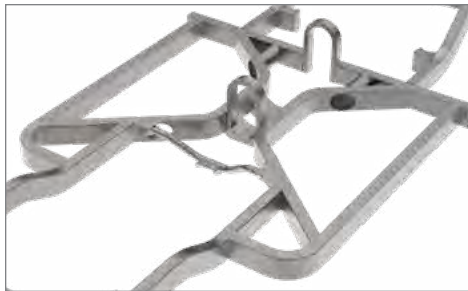
CUSTOM CHASSIS



REAR CLIP STYLE	PERIMETER-X FRAMES			STRAIGHT-RAIL FRAMES		
	UNASSEMBLED	WELDED CLIPS	ASSEMBLED	UNASSEMBLED	WELDED CLIPS	ASSEMBLED
CANTED 4-LINK	7760-U01	7760-U01-P	7760-U01-W	7750-U01	7750-U01-P	7750-U01-W
TORQUE-ARM	7761-U01	7761-U01-P	7761-U01-W	7751-U01	7751-U01-P	7751-U01-W
ROCKER-ARM IRS	-	7763-U01-P	7763-U01-W	-	7753-U01-P	7753-U01-W
32" LADDER BAR	7764-U01	7764-U01-P	7764-U01-W	7754-U01	7754-U01-P	7754-U01-W
36" LADDER BAR	7765-U01	7765-U01-P	7765-U01-W	7755-U01	7755-U01-P	7755-U01-W
SPORTSMAN 4-LINK	7766-U01	7766-U01-P	7766-U01-W	7756-U01	7756-U01-P	7756-U01-W

NOTE: SUSPENSION, SHEET METAL AND FRAME ACCESSORIES ARE SOLD SEPARATELY TO ALLOW CUSTOM CONFIGURATIONS

■ Perimeter-X Mid-Frame



Perimeter-X Mid-Frame
Triangulation bracing for increased chassis stiffness

■ Pro-Touring Rear Frames



Canted 4-Link
Well-rounded system for street and handling performance



Torque-Arm Watts Link
More emphasis on cornering and acceleration performance



Rocker-Arm IRS
Excels in overall grip without sacrificing power handling

■ Straight-Rail Mid-Frame



Straight-Rail Mid-Frame
Parallel design works well for short or narrow chassis

■ Pro-Street Rear Frames



Sportsman 4-Link
Street-friendly ride with strip-friendly tuning features



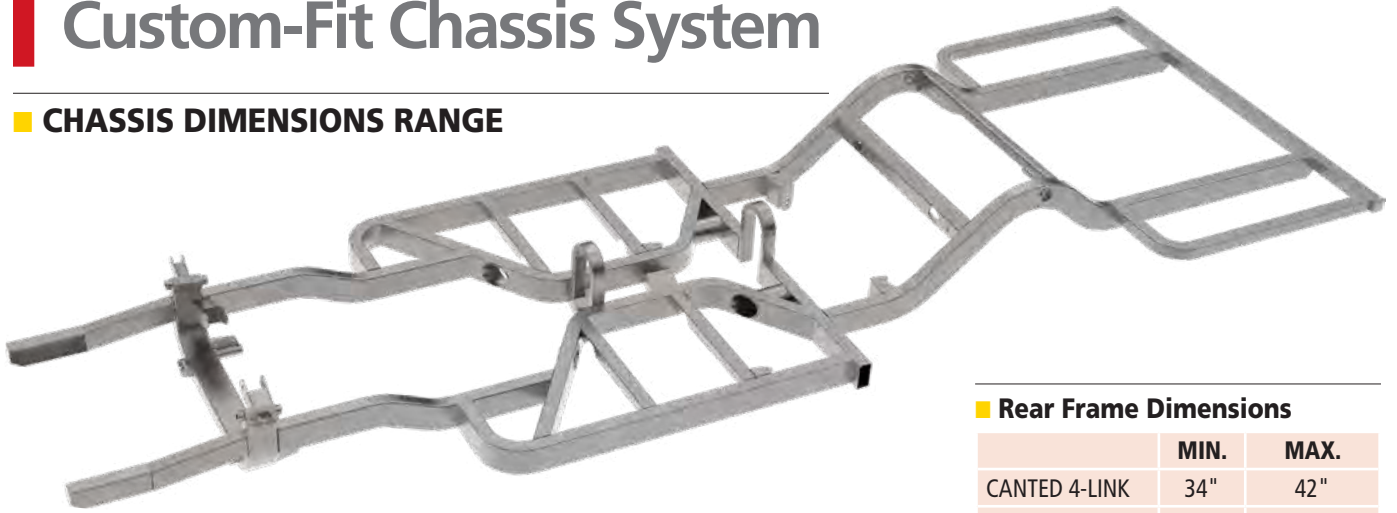
32" Ladder Bars
Simple and proven strip performance for passenger cars



36" Ladder Bars
Same proven performance of our 32" bars for longer wheelbase vehicles

Custom-Fit Chassis System

■ CHASSIS DIMENSIONS RANGE



■ Front Frame Dimensions

	MIN.	MAX.
AXLE CENTER TO FIREWALL	15"	28"
CROSSMEMBER WIDTH	24"	38"
HUB-TO-HUB WIDTH	51"	65"

NOTE HUB WIDTH = CROSSMEMBER + 27"

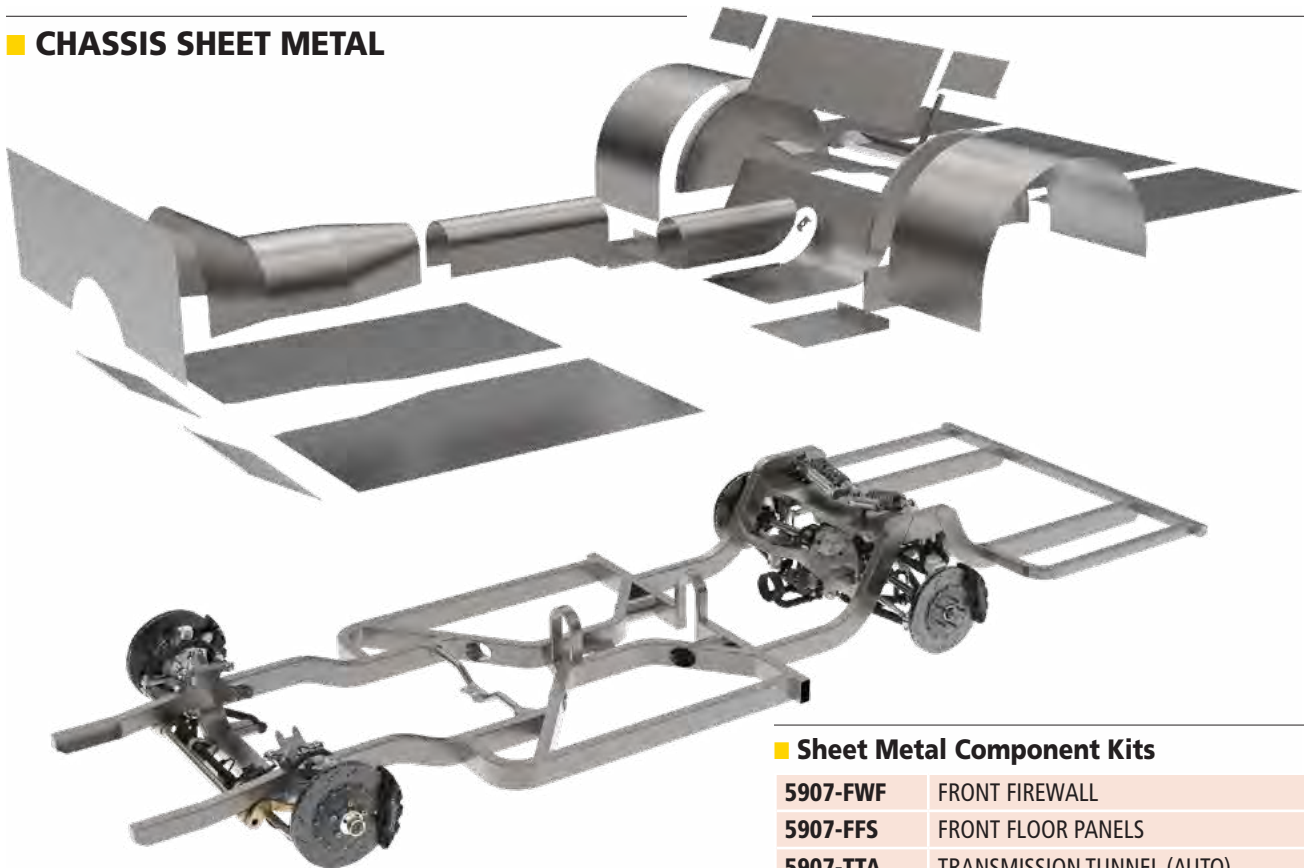
■ Mid Frame Dimensions

	MIN.	MAX.
ROCKER-SUPPORT WIDTH	45"	61"
PERIMETER-X WHEELBASE	105"	128"
STRAIGHT-RAIL WHEELBASE	92"	125"

■ Rear Frame Dimensions

	MIN.	MAX.
CANTED 4-LINK	34"	42"
TORQUE ARM	28"	42"
LADDER BAR	20"	42"
ROCKER-ARM IRS	FRAME	HUB TO HUB
	35"	54"
	37"	56"
	39"	58"
	41"	60"

■ CHASSIS SHEET METAL



■ Sheet Metal Tools



6702	CLECO PLIERS, CLECOS (SET OF 25)
6707	CONTOUR TRACING TOOL



■ Sheet Metal Component Kits

5907-FWF	FRONT FIREWALL
5907-FFS	FRONT FLOOR PANELS
5907-TTA	TRANSMISSION TUNNEL (AUTO)
5907-TTM	TRANSMISSION TUNNEL (MANUAL)
5907-DST	DRIVESHAFT TUNNEL
5907-R4BR	REAR FLOOR (CANTED 4-LINK, TORQUE ARM)
5907-RIRS	REAR FLOOR KIT (IRS)
5907-34X21	BUILDER WHEEL TUBS, 34 X 21"
5907-40X25	BUILDER WHEEL TUBS, 40 X 25"
5907-EXT	BUILDER WHEEL TUB EXTENSIONS, 7 X 11"

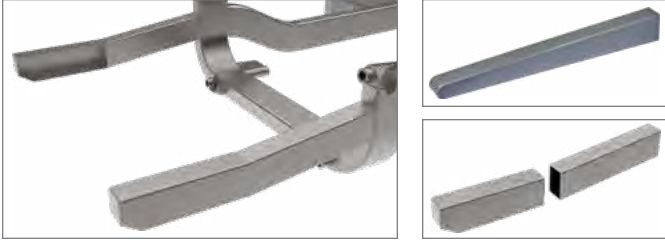
CUSTOM CHASSIS

Custom-Fit Chassis - Accessory Kit

Each chassis requires an accessory kit to complete assembly. Kit selector options are shown below.

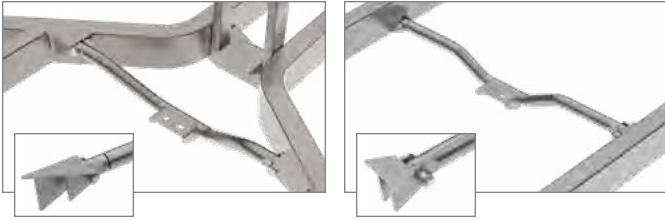
776X-PWA	PERIMETER-X FRAME ACCESSORY KIT
775X-SWA	STRAIGHT-RAIL FRAME ACCESSORY KIT

Frame Horns



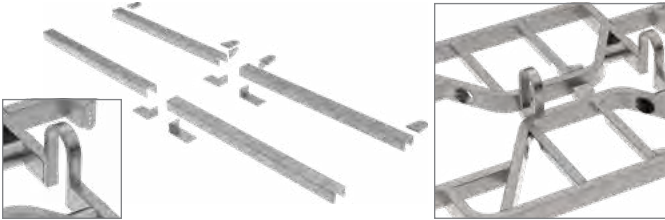
5909-FHF	TAPERED FRAME HORNS, 24" LENGTH
5909-BMF	BUMPER MOUNT HORNS, 2X3" EXTENSION

Transmission Crossmembers



5909-TCP-2	2" DROP TRANSMISSION CROSSMEMBER, 1-1/4" OD
5909-TCP-4	4" DROP TRANSMISSION CROSSMEMBER, 1-1/4" OD
OPTIONS	ANGLED MOUNT KIT (PERIMETER-X) PARALLEL MOUNT KIT (STRAIGHT-RAIL)

Seat Mount Channels



5909-SCH	SEAT CHANNELS WITH SEAT BELT MOUNTS
4516	DRIVESHAFT LOOP, 1X2"

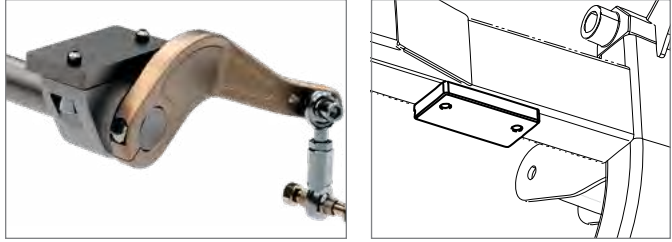
Motor Mounts and Side-Mount Adapters



5909-EFM-C	CHEVY (GM) ADAPTERS
5909-EFM-F	FORD ADAPTERS

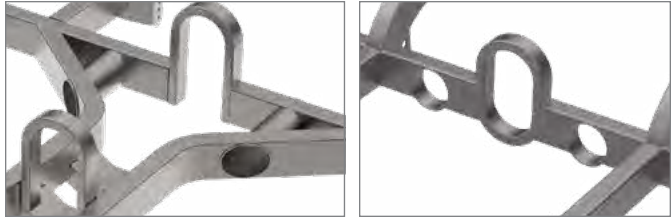
MAKE	ENGINE	DESCRIPTION	ITEM
CHEVY	SMALL-, BIG-BLOCK V8	STEEL (FIXED)	5917-CV8-S
		ALUMINUM (FIXED)	5917-CV8-1
	LS SERIES (GEN-3)	STEEL (ADJUSTABLE)	5917-LSA-S
		ALUMINUM (FIXED)	5917-LSF-1
	LT4 (GEN-5)	STEEL (FIXED)	5917-LT4-S
FORD	SMALL-BLOCK (260, 289, 302)	STEEL (FIXED)	TCP MM-C1S
		STEEL (ADJUSTABLE)	TCP MM-C4S
	SMALL-BLOCK (351)	STEEL (ADJUSTABLE)	TCP MM-C5S
	FE BIG-BLOCK (390, 427, 428)	STEEL (FIXED)	TCP MM-C2S
	MODULAR (5.0, 5.2, COYOTE)	STEEL (FIXED)	TCP MM-C3S
PONTIAC	5-BOLT V8	STEEL (FIXED)	5917-PV8-S

Anti-Roll Bar Mounts



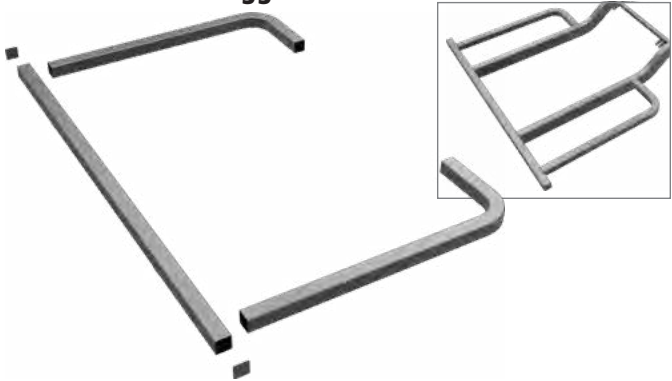
7962-0119	FRAME MOUNTS FOR SPLINED ANTI-ROLL BAR
-----------	--

Exhaust Ports



D60.125-040.000	3-1/2" ID EXHAUST PORT TUBE (PERIMETER-X)
1070	4" ID EXHAUST PORTS (STRAIGHT-RAIL)

Rear Frame Outriggers



5909-OFR	OUTRIGGERS AND REAR CROSSMEMBER, 2X2"
----------	---------------------------------------

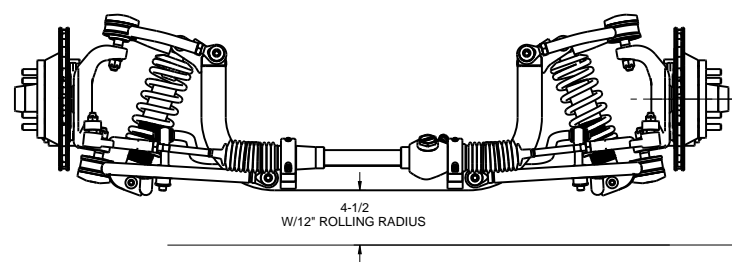
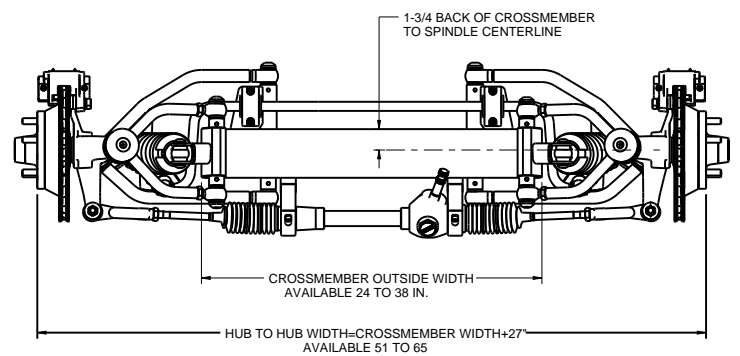
Custom-Fit 2x4" Front Frame Clip

■ Front A-Arm Crossmember

- Double A-arm suspension crossmember
- 2x4" mandrel-bent constructions
- Factory-welded assembly



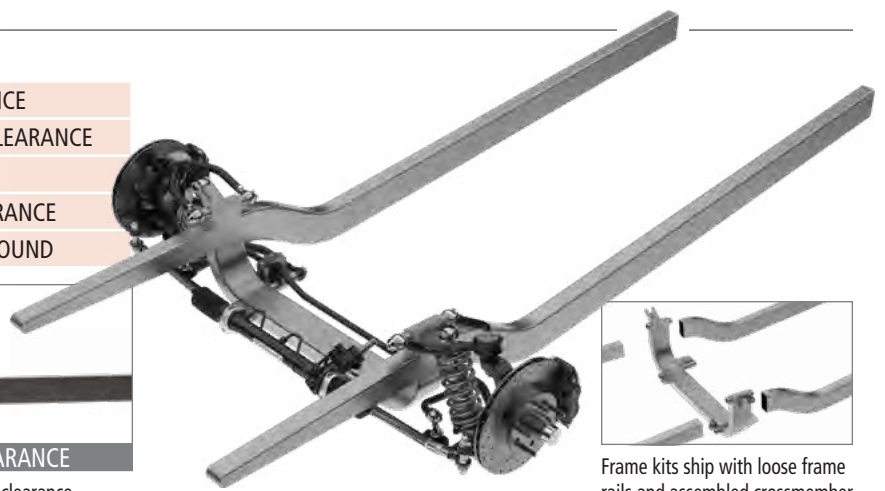
7717	A-ARM CROSSMEMBER ASSEMBLY
CROSSMEMBER WIDTH	24 TO 38 INCHES
HUB-TO-HUB WIDTH	51 TO 65 INCHES
NOTE	HUB WIDTH = CROSSMEMBER + 27"



CUSTOM CHASSIS

■ Front A-Arm Frame Clip

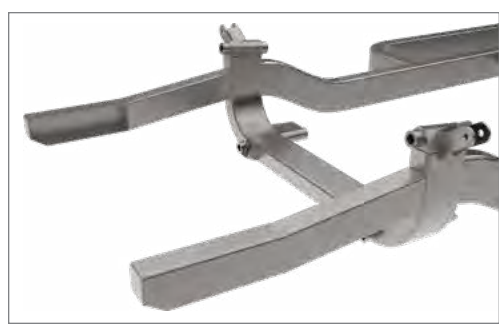
7718	A-ARM FRONT FRAME KIT, 4-1/2" CLEARANCE
7718-W	A-ARM FRONT FRAME ASSEMBLY, 4-1/2" CLEARANCE
7719	A-ARM FRONT FRAME KIT, 6" CLEARANCE
7719-W	A-ARM FRONT FRAME ASSEMBLY, 6" CLEARANCE
NOTE	CLEARANCE MEASUREMENT IS RAIL TO GROUND



Frame kits ship with loose frame rails and assembled crossmember

Dimensions assume 12" tire rolling radius with 4-1/2" crossmember clearance.

■ Frame Horns



5909-FHF	TAPERED FRAME HORNS, 24" LONG
5909-BMF	BUMPER MOUNT HORNS, 2X3" EXT.

■ Engine Side-Mount Adapters



5909-EFM-C	CHEVY (GM) ADAPTERS
5909-EFM-F	FORD ADAPTERS

■ Running Board Drops

- 6" max. drop height
- 18" max. extension
- 1 x 2" tubing



4517	RUNNING BOARD DROPS (QTY 4)
-------------	-----------------------------

2x4" Crossmember - Suspension Systems

■ ULTIMATE PRO-TOURING SYSTEM

5764 **ULTIMATE PRO-TOURING FRONT SUSPENSION**
 G-STREET WIDE-TRACK ARMS, BUMP-STEER KIT, BILLET UPRIGHT, UNIT-BEARING HUB, POWER RACK AND PINION, SPLINED-END ANTI-ROLL BAR, COIL-OVER SHOCKS, SPRINGS, SHOCK SIMULATOR

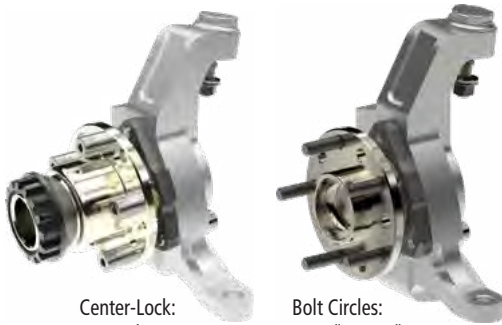
OPTIONS

HUB	5-LUG: 4-1/4" OR 4-3/4" CIRCLE FORGELINE CENTER-LOCK: LONG OR SHORT
STEERING	30, 32, 33" RACK (LHD/USA, RHD/AUS)
SWAYBAR	MACHINED-SPLINE BAR: 30, 32, 33" WELD-ON SPLINE-ADAPTER BAR: UP TO 42"
SHOCKS	COIL-OVER: SINGLE-, DOUBLE-, 4-WAY AIR-SPRING: SINGLE-, DOUBLE-ADJUSTABLE HARDWARE: HEX-HEAD, BEVELED-SPUD
SPRINGS	500 TO 750 LB/IN RATES
BRAKES	14" OR 15" WITH BLACK OR RED CALIPERS



CUSTOM CHASSIS

■ Unit-Bearing Hub Uprights



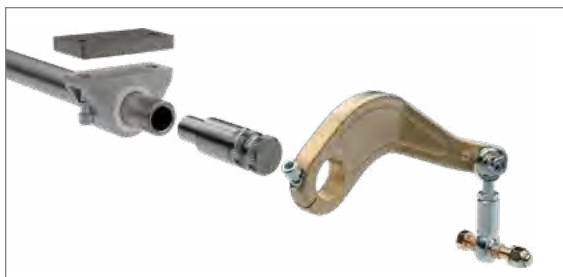
Center-Lock:
Long, Short

Bolt Circles:
4-1/2", 4-3/4"

■ Shock Options



■ Anti-Roll Bars



■ Brake Kits



■ Rack and Pinion



2x4" Crossmember - Suspension Systems

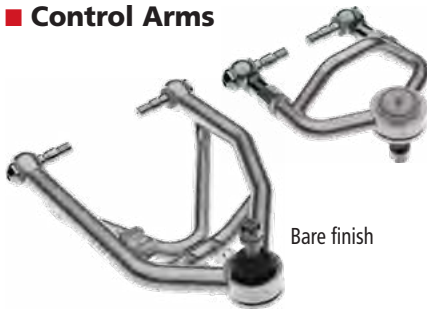
G-MACHINE SYSTEM

5763	G-MACHINE CLIP FRONT SUSPENSION G-MACHINE ARMS, SCULPTED IRON SPINDLES, POWER RACK AND PINION, TIE RODS, SWAYBAR, COIL-OVER SHOCKS, SPRINGS, SHOCK SIMULATOR, BALL-JOINT WRENCH
OPTIONS	
TIE RODS	OEM-STYLE, BUMP-STEER KIT
STEERING	30, 32, 33" RACK (LHD/USA, RHD/AUS)
SWAYBAR	1-1/4" (TUBULAR), 1-1/4" (SPLINED)
SHOCKS	COIL-OVER: FACTORY, SINGLE-, DOUBLE-, 4-WAY AIR-SPRING: SINGLE-, DOUBLE-ADJUSTABLE HARDWARE: HEX-HEAD, BEVELED-SPUD
SPRINGS	500 TO 750 LB/IN RATES
BRAKES	11-3/4", 13", 14" BRAKE KITS
NOTE	WELDED ASSEMBLIES AND SPINDLES ARE PAINTABLE BARE METAL



CUSTOM CHASSIS

Control Arms



Bare finish

Shock Options

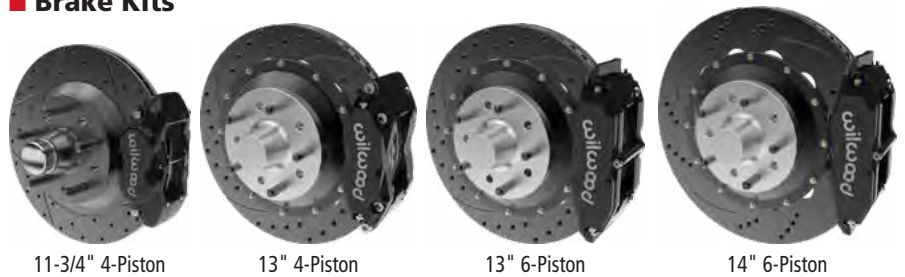


Spindle and Tie Rods



Bare finish

Brake Kits



11-3/4" 4-Piston

13" 4-Piston

13" 6-Piston

14" 6-Piston

Anti-Roll Bars



Rack and Pinion



2x4" Crossmember - Suspension Systems

STREET-MACHINE SYSTEM

5762 STREET-MACHINE CLIP FRONT SUSPENSION

STREET-MACHINE ARMS, SCULPTED IRON SPINDLES, RACK AND PINION, TIE RODS, COIL-OVER SHOCKS, SPRINGS, SHOCK SIMULATOR, BALL-JOINT WRENCH

OPTIONS

TIE RODS	OEM-STYLE, BUMP-STEER KIT
RACK AND PINION	MANUAL BILLET-ALUMINUM (LHD/USA) POWER 30, 32, 33" (LHD/USA, RHD/AUS)
SWAYBAR	3/4" (POLY), 1", 1-1/4" (BEARING)
SHOCKS	COIL-OVER: FACTORY, SINGLE-, DOUBLE-ADJ. AIR-SPRING: SINGLE-, DOUBLE-ADJUSTABLE HARDWARE: HEX-HEAD, BEVELED-SPUD
SPRINGS	500 TO 750 LB/IN RATES
BRAKES	11-3/4", 13", 14" BRAKE KITS



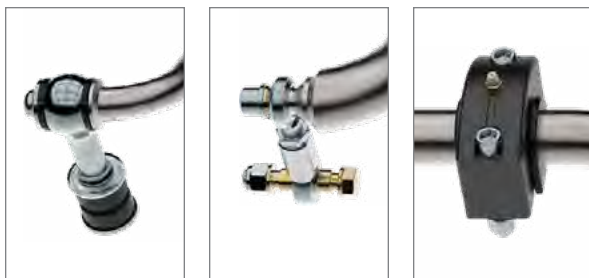
Tie Rod Sets



Rack and Pinions



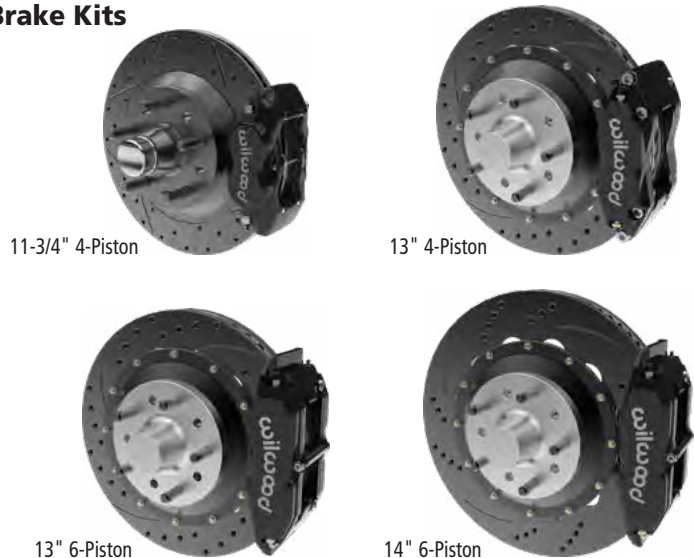
Anti-Roll Bars



Shock Options



Brake Kits



11-3/4" 4-Piston

13" 4-Piston

13" 6-Piston

14" 6-Piston

2x4" Crossmember - Suspension Systems

■ DRAG RACE SYSTEM

5765	DRAG RACE CLIP FRONT SUSPENSION STREET-MACHINE ARMS, BILLET MANUAL RACK AND PINION, BUMP-STEER TIE RODS, COIL-OVER SHOCKS, SPRINGS, SHOCK SIMULATOR, BALL-JOINT WRENCH
OPTIONS	
SPINDLES	FABRICATED 4130, SCULPTED IRON
SHOCKS	SINGLE-, DOUBLE-ADJUSTABLE
SPRINGS	250 TO 500 LB/IN RATES
BRAKES	MEDIUM-DUTY, HEAVY-DUTY
NOTES	WELDED ASSEMBLIES AND SPINDLES ARE PAINTABLE BARE METAL



CUSTOM CHASSIS

■ Control Arms



■ Spindles and Tie Rod Sets



■ Shock Options



■ Brake Kits



■ Rack and Pinion



2x4" Crossmember System - Shocks

■ Poly-Eye Shocks, 4.25" Travel (Street, Pro-Touring)

VAS 11022-425	SENSISET FACTORY-VALVED
VAS 11122-425	QUICKSET 1 SINGLE-ADJ.
VAS 11222-425	QUICKSET 2 DOUBLE-ADJ.
NOTE	USES 9" SPRINGS



■ Bearing-Eye Shocks, 5.15" Travel (Street/Strip, Drag Race)

VAS 1111R-52	QUICKSET 1 SINGLE-ADJ.
VAS 1121R-52	QUICKSET 1 DOUBLE-ADJ.
NOTE	USES 12" SPRINGS



■ Bearing-Eye Shocks, 4.25" Travel (Street, Pro-Touring, Open Track)

VAS 11011-425	SENSISET FACTORY-VALVED
VAS 11111-425	QUICKSET 1 SINGLE-ADJ.
VAS 11211-425	QUICKSET 2 DOUBLE-ADJ.
VAS 11411-43	REMOTE-RES., 4-WAY-ADJ.



■ Air-Spring Shocks, 4.25" Travel

VAS 131G2-425	QUICKSET 1 SINGLE-ADJ.
VAS 132G2-425	QUICKSET 2 DOUBLE-ADJ.
NOTE	AIR SYSTEM REQUIRED



■ 9" Coil-Springs

LB/IN	ITEM
200	VAS 21-09200
240	VAS 21-09240
275	VAS 21-09275
300	VAS 21-09300
350	VAS 21-09350
400	VAS 21-09400
450	VAS 21-09450
500	VAS 21-09500
550	VAS 21-09550
600	VAS 21-09600
675	VAS 21-09675
750	VAS 21-09750

■ 12" Coil-Springs

LB/IN	ITEM
80	VAS 21-12080
95	VAS 21-12095
110	VAS 21-12110
130	VAS 21-12130
150	VAS 21-12150
175	VAS 21-12175
200	VAS 21-12200
250	VAS 21-12250
300	VAS 21-12300
350	VAS 21-12350
400	VAS 21-12400
450	VAS 21-12450
500	VAS 21-12500
550	VAS 21-12550



■ Shock Simulators

- Simulates 4.25" shock travel range
- Extended, compressed and ride-height positions



■ Shock-Mount Fasteners

VAS 522-169	BEVELED-HEAD SPUD SET, STAINLESS
3044	SOCKET-HEAD CAP SCREWS, CLEAR-ZINC
3043	HEX-HEAD CAP SCREWS, GRADE 8

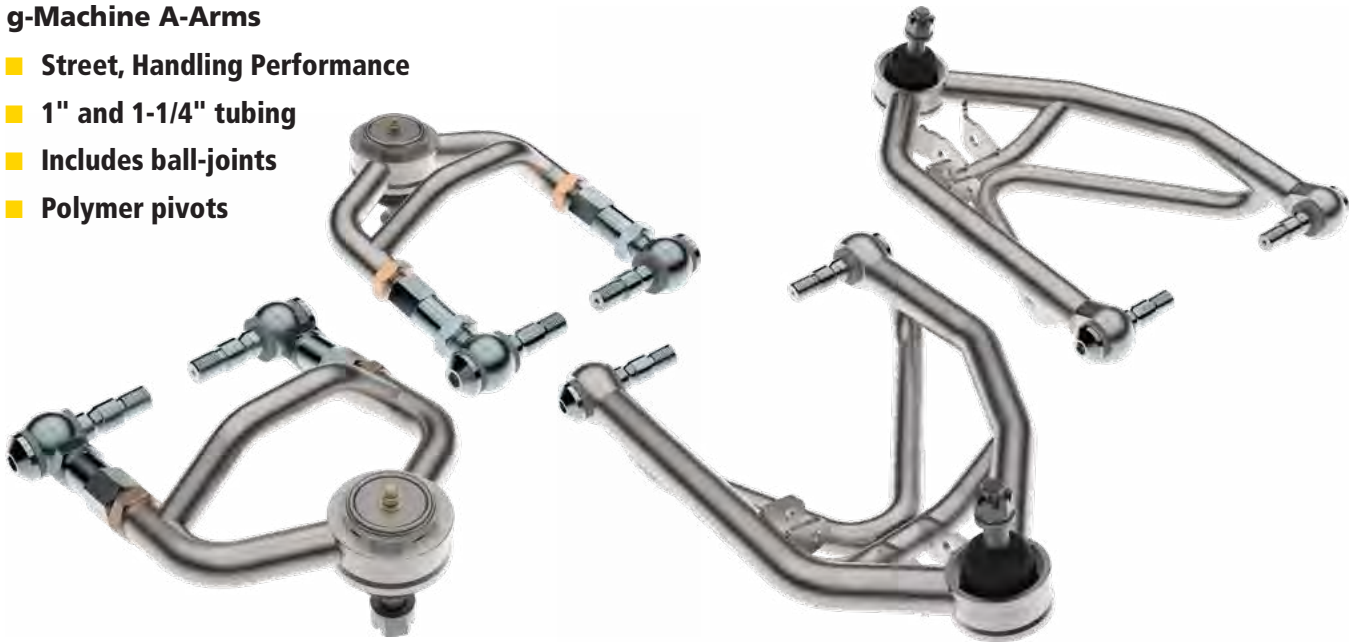


6712-12 SHOCK SIMULATORS, 12" RIDE-HEIGHT

2x4" Crossmember System - Control Arms

■ g-Machine A-Arms

- Street, Handling Performance
- 1" and 1-1/4" tubing
- Includes ball-joints
- Polymer pivots

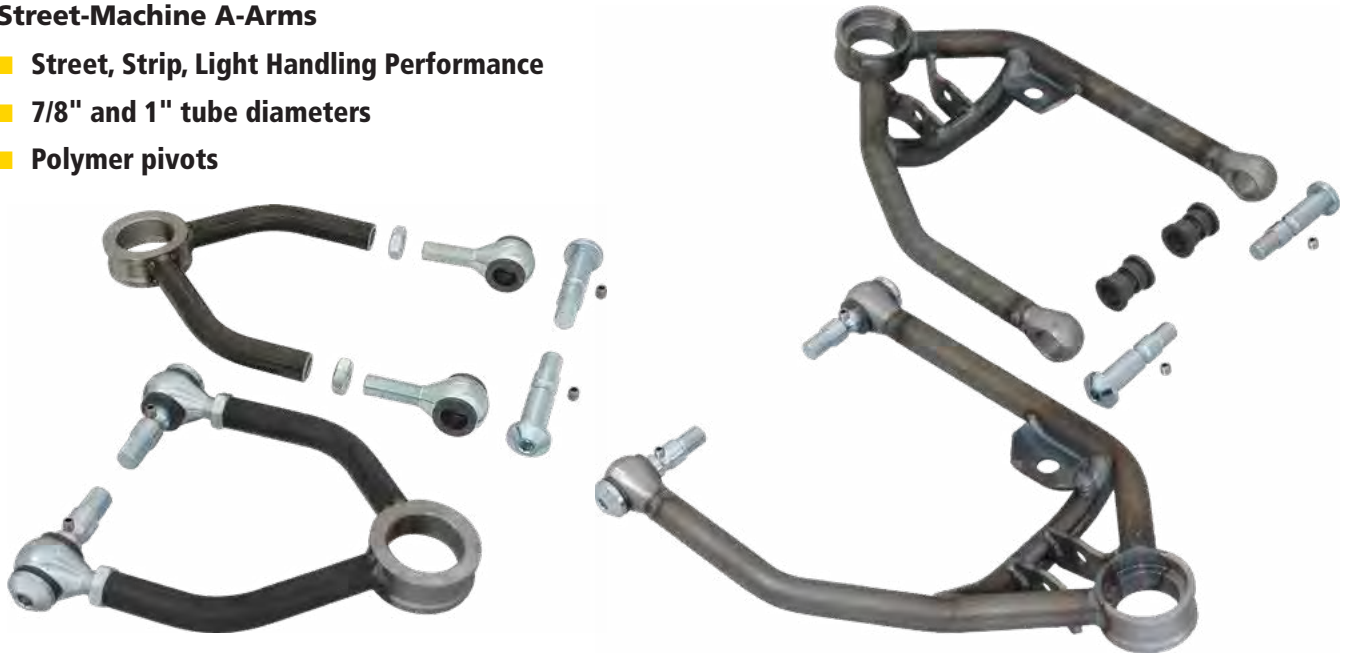


6152 UPPER ARMS (BARE STEEL), ZINC-PLATED HARDWARE

6153 LOWER ARMS (BARE STEEL), ZINC-PLATED HARDWARE

■ Street-Machine A-Arms

- Street, Strip, Light Handling Performance
- 7/8" and 1" tube diameters
- Polymer pivots



6171 UPPER ARMS (BARE STEEL), ZINC-PLATED HARDWARE

6172 LOWER ARMS (BARE STEEL), ZINC-PLATED HARDWARE

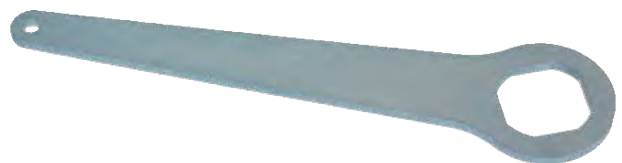
NOTE BALL-JOINTS SOLD SEPARATELY

NOTE BALL-JOINTS SOLD SEPARATELY

■ Ball-Joints and Accessories



6104 SCREW-IN BALLJOINTS, BOOTS, HARDWARE (PAIR)



6711 SCREW-IN BALLJOINT WRENCH, ZINC-PLATED STEEL

2x4" Crossmember - Billet Upright System

■ EXCLUSIVE USE WITH ULTIMATE PRO-TOURING SUSPENSION

CUSTOM CHASSIS



- Increased track width improves handling
- Suited for demanding performance use
- Rigid design for exact geometry control
- Available with 14- or 15-inch brake kit

■ Billet-Aluminum Unit-Bearing Uprights

- Oversized unit-bearing hubs; increased durability
- Built-in upper pivot stud; tension adjustable
- Threaded steering arm; bumpsteer adjustable



5737-SM1-1	5-LUG HUB UPRIGHT (PAIR); 4-1/2" BOLT CIRCLE
5737-SM1-2	5-LUG HUB UPRIGHT (PAIR); 4-3/4" BOLT CIRCLE
INCLUDES	UPRIGHTS, UNIT-BEARING HUBS, 1/2-20 X 2-1/4" STUDS
5737-SM1-FC	CENTER-LOCK HUB UPRIGHT (PAIR); FORGELINE
INCLUDES	UPRIGHTS, UNIT-BEARING HUBS (LONG, SHORT AXLE)
NOTE	CENTER-LOCK NUTS SOLD SEPARATELY
7963-251	LEFT-SIDE CENTER-LOCK NUT, GT FLUSH LOC (BARE)
7963-252	RIGHT-SIDE CENTER-LOCK NUT, GT FLUSH LOC (BARE)

■ Infinite Adjust Bump-Steer Kit



5736-75-56	THREADED-ADJUSTER BUMPSTEER TIEROD SET
INCLUDES	STAINLESS-STEEL THREADED STUD, 4130 ROD END, BILLET ADJUSTING SLEEVE, SUPPORTING HARDWARE
NOTES	FOR CHASSISWORKS 3/4-16 THREAD STEERING ARMS

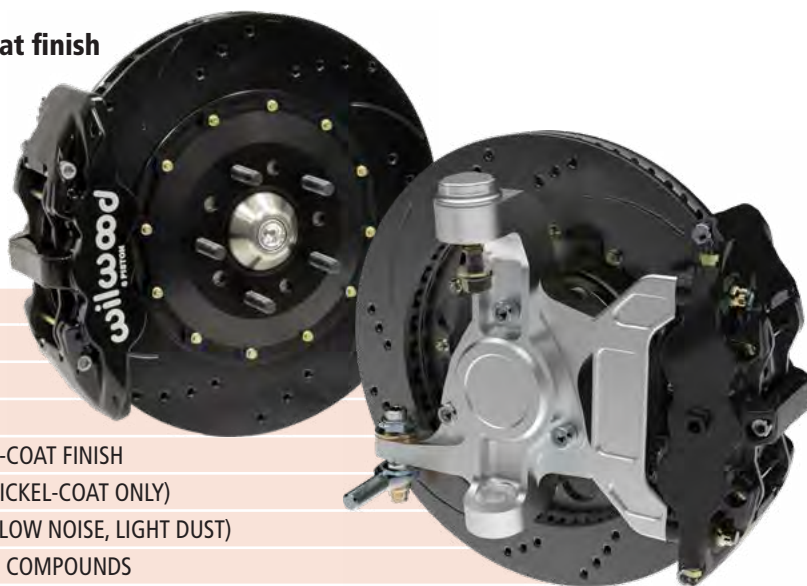
- | | |
|-----------------------------------|----------------------------------|
| 1 - Locking jam nut | 5 - Misalignment bushing |
| 2 - 5/16" hex for allen adj. | 6 - 12-point flanged locknut |
| 3 - Threaded stainless-steel stud | 7 - Billet-Steel Adjuster Sleeve |
| 4 - Teflon@-lined 4130 rod end | |

2x4" Crossmember - Billet Upright System

■ EXCLUSIVE USE WITH ULTIMATE PRO-TOURING SUSPENSION

- 14- or 15-inch drilled, vented rotors; E-coat finish
- Wilwood Aero6, radial-mount calipers
- Black, red or nickel finish calipers
- Brake pad compound options

8377-14	WHEEL-STUD BRAKE KIT, 14" ROTORS
8377-15	WHEEL-STUD BRAKE KIT, 15" ROTORS
8378-14	CENTER-LOCK BRAKE KIT, 14" ROTORS
8378-15	CENTER-LOCK BRAKE KIT, 15" ROTORS
CALIPER OPTIONS	BLACK OR RED POWDER-COAT, OR NICKEL-COAT FINISH
	THERMLOCK™ HEAT-BARRIER PISTONS (NICKEL-COAT ONLY)
BRAKE PAD OPTIONS	STREET AND PERFORMANCE SMART PAD (LOW NOISE, LIGHT DUST)
	AUTOCROSS OR ROAD RACE SPECIFIC PAD COMPOUNDS



CUSTOM CHASSIS

■ Wilwood Aero6 6-Piston Calipers

Available in black or red powder coat finish, or optional nickel finish with Thermlock™ heat-barrier pistons.

■ Brake Pad Compounds

STREET / PERFORMANCE	LOW NOISE AND DUST LEVELS
AUTOCROSS	AGGRESSIVE GRIP AT AMBIENT TEMP
ROAD RACE	AGGRESSIVE GRIP; HIGH TEMP RANGE



- **Wilwood ThermLock® Pistons**
(Nickel-coated caliper only)
Reduce temperatures in the caliper, fluid and seals by up to 25%



■ SRP Performance Rotors

- Massive 15 x 1.25" or 14 x 1.25" rotors
- Directional, curved vanes improve cooling
- Slotted and cross-drilled improve pad contact
- Black e-coating prevents corrosion

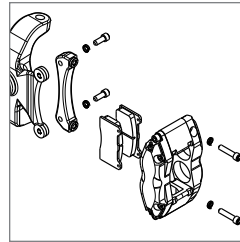


2x4" Crossmember - Sculpted Spindles

- Street and performance use
- Integrated caliper mount
- Two-piece design; high-strength spindle axle



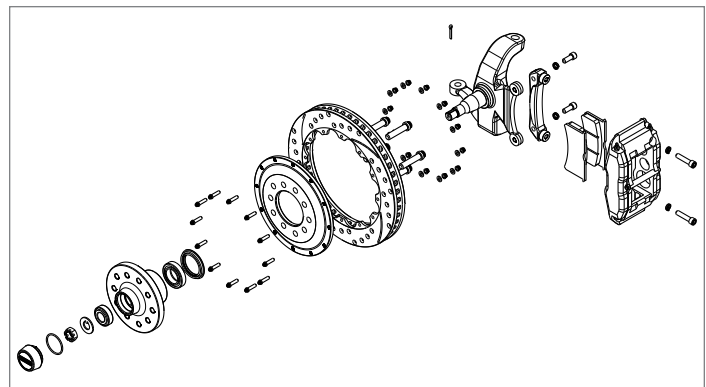
■ Big Brake Kit with 4-Piston Caliper



ITEM	ROTOR	HAT / HUB
8324-134	VENTED, SLOTTED, DRILLED - 13 X 1.00"	ALUMINUM
CALIPER		PISTONS
DYNAPRO (RADIAL MOUNT)		4-PISTON
		COLOR
		BLACK

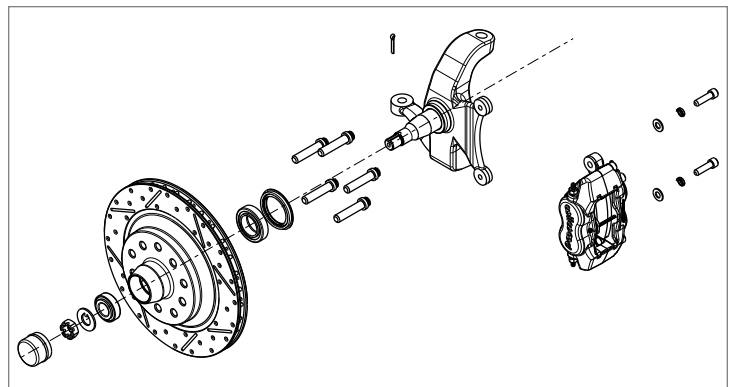
6174 SCULPTED SPINDLES, 2X4" CROSSMEMBER SYSTEM, PLAIN FINISH (PAIR)

■ Big Brake Kits with 6-Piston Calipers



ITEM	ROTOR	HAT / HUB	CALIPER	PISTONS	COLOR
8324-136	VENTED, SLOTTED, DRILLED - 13 X 1.25"	ALUMINUM HUB AND HAT	FORGED NARROW SUPERLITE	6-PISTON	BLACK, RED
8324-14	VENTED, SLOTTED, DRILLED - 14 X 1.25"	ALUMINUM HUB AND HAT	FORGED NARROW SUPERLITE	6-PISTON	BLACK, RED

■ Heavy-Duty Brake Kits with 4-Piston Calipers



ITEM	ROTOR	HAT / HUB	CALIPER	PISTONS	COLOR
8319-BK	VENTED, SLOTTED, DRILLED - 11.75 X.81"	1-PIECE ROTOR-HUB	FORGED DYNALITE INTERNAL	4-PISTON	BLACK
8319-RD	VENTED, SLOTTED, DRILLED - 11.75 X.81"	1-PIECE ROTOR-HUB	FORGED DYNALITE INTERNAL	4-PISTON	RED

2x4" Crossmember - Drag Race Spindles

- Extremely lightweight (6.56 lb)
- For skinny tire, drag race cars
- 4130 upright and axle



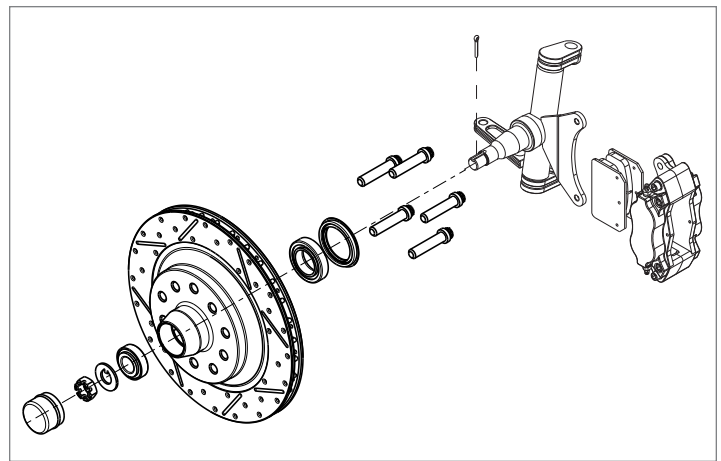
6166 FABRICATED DRAG-RACE SPINDLES, BARE STEEL

6167 BUMP-STEER-OUTER TIE-ROD SET

Not recommended for street use.

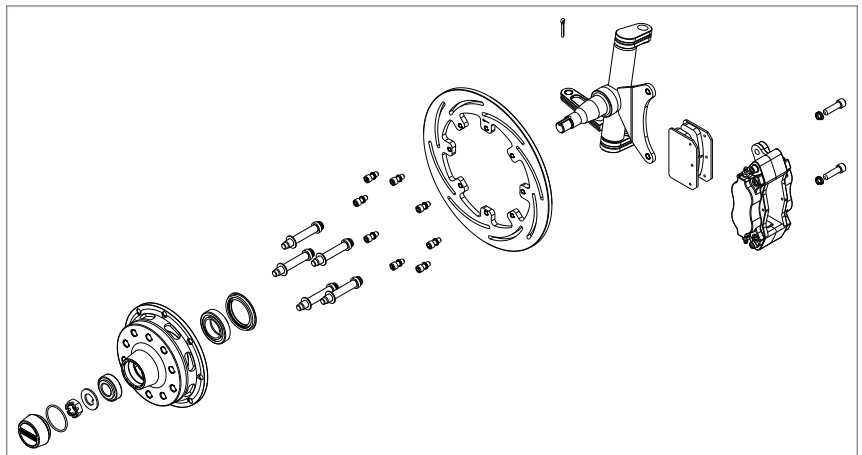
CUSTOM CHASSIS

Heavy-Duty Brake Kit - 11.75 Rotor, 5-Lug Hub with 4-Piston Caliper



ITEM	ROTOR	HAT / HUB	CALIPER	PISTONS	COLOR
8319-BK	VENTED, SLOTTED, DRILLED - 11.75 X.81"	1-PIECE ROTOR-HUB	FORGED DYNALITE INTERNAL	4-PISTON	BLACK
8319-RD	VENTED, SLOTTED, DRILLED - 11.75 X.81"	1-PIECE ROTOR-HUB	FORGED DYNALITE INTERNAL	4-PISTON	RED

Medium-Duty Brake Kit - 11.75 Rotor, 5-Lug Hub with 4-Piston Caliper



ITEM	ROTOR	HAT / HUB	CALIPER	PISTONS	COLOR
8336	SOLID, SLOTTED - 11.75 X .35"	BILLET-ALUMINUM HUB	FORGED DYNALITE	4-PISTON	BLACK

2x4" Crossmember - Anti-Roll Bars

CUSTOM CHASSIS

■ SPLINED-END ANTI-ROLL BARS (GSTREET)

- Billet-steel splined arms with multiple end-link mounts
- Six-different stiffness settings
- Low-friction polymer bearings
- Billet-aluminum bearing housings
- 1-1/4" -OD heat treated, alloy steel bar
- Spherical bearing end links with Teflon lined races



■ Tubular Welded Bars

5735-WELD-1.25	UNASSEMBLED SPLINED ANTI-ROLL BAR (REQUIRES WELDING)
INCLUDES	1-1/4" X 36" 4130 ROUND TUBE, SPLINED WELD-IN TUBE ADAPTERS, 3-POSITION ARMS, BILLET-ALUMINUM MOUNTS WITH POLYMER BUSHINGS, TEFLON® LINED END LINKS
OPTIONS	FRAME ADAPTERS (2", 2-1/2" OR 3" WIDE) POLY OR COM-8 LOWER END-LINK HARDWARE
NOTE	FITS UP TO 24" UP TO 38" WIDE CROSSMEMBERS



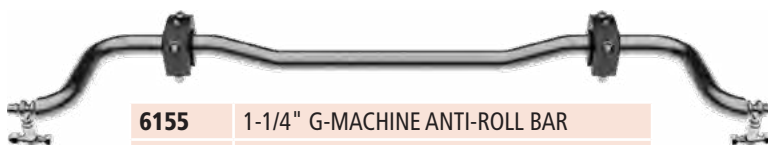
■ Billet Gun-Drilled Bars

5735-SM30-12588	FITS 30" CROSSMEMBER	INCLUDES	1-1/4" GUN-DRILLED SPLINED BAR, 3-POSITION ARMS, BILLET-ALUMINUM MOUNTS WITH POLYMER BUSHINGS, TEFLON® LINED END LINKS
5735-SM31-12588	FITS 31" CROSSMEMBER		
5735-SM32-12588	FITS 32" CROSSMEMBER	OPTIONS	FRAME ADAPTERS (2" WIDE) POLY OR COM-8 LOWER END LINKS
5735-SM33-12588	FITS 33" CROSSMEMBER		



■ TUBULAR-BENT ANTI-ROLL BARS

■ COM-8 Upper End Link Bars (g-Machine)



6155	1-1/4" G-MACHINE ANTI-ROLL BAR
OPTION	24, 28, 30, 32, 33" CROSSMEMBER WIDTHS
6154	1" G-MACHINE ANTI-ROLL BAR
OPTION	24" TO 38" CROSSMEMBER WIDTHS
INCLUDES	TUBULAR BAR (BARE), BILLET MOUNTS, COM-8 UPPER END LINKS
END LINKS	COM-8 OR POLY LOWER END LINKS

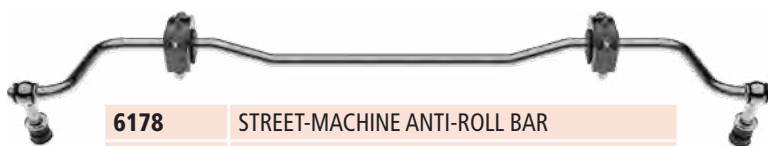


Crossmember-mounted bushing housing; poly or COM-8 lower end link



Billet-aluminum housing for greasable poly bushings

■ Poly Upper End Link Bars (Street-Machine)



6178	STREET-MACHINE ANTI-ROLL BAR
INCLUDES	3/4" DIAMETER BAR (BARE), BILLET MOUNTS, POLY UPPER AND LOWER END LINKS
OPTION	24" TO 38" CROSSMEMBER WIDTHS



Crossmember-mounted bushing housing; poly-bushing lower end link

2x4" Crossmember - Steering System

■ Power Steering Pump Kits

6137	INTEGRATED-RESERVOIR STEERING PUMP KIT
6138	REMOTE-RESERVOIR STEERING PUMP KIT
INCLUDES	ALUMINUM PUMP, PULLEY, BRACKET, RESERVIOR
OPTIONS	LS-SERIES CHEVY (DIRECT-FIT)
	SMALL-BLOCK CHEVY (HEAD OR BLOCK MOUNT)
	BIG-BLOCK CHEVY (HEAD OR BLOCK MOUNT)
	6X6" BLANK MOUNT (REQUIRES MACHINING)
	PULLEY (6" V-BELT OR 4.2" SERPENTINE)
	BRAIDED-STAINLESS TEFLON® HOSE KIT
5720-001	FITTING SET, 16MM AND 18MM O-RING TO -6 AN (FOR STEERING BOXES)



CUSTOM CHASSIS

■ g-Machine Power Rack and Pinion

- Fits Chassisworks 4x2" crossmember systems
- Rotates within mounts for clearance
- Quick-ratio; 5.375" total travel

CROSSMEMBER	LEFT DRIVE (USA)	RIGHT DRIVE (AUS)
30"	6140-215-1	6140-215-1RIGHT
32"	6140-235-1	6140-235-1RIGHT
33"	6140-245-1	6140-245-1RIGHT



■ Street-Machine Manual Rack and Pinion

- Billet-aluminum gear box with stainless center tube
- 15-different lengths for 24" to 38" crossmembers
- Rotates within mounts for steering-shaft clearance

CROSSMEMBER	FINISH	LEFT DRIVE (USA)
24" TO 38"	SATIN	6175-01



■ g-Machine Standard Tie-Rods

6177	OUTER TIE-ROD SET FOR CHASSISWORKS SCULPTED SPINDLE, 5" LENGTH
6118	OUTER TIE-ROD SET FOR MUSTANG II STEERING-ARM TAPER, 3.4" LENGTH



■ g-Machine Bump-Steer Sets

6151	BUMP-STEER-OUTER TIE-ROD SET FOR CHASSISWORKS SCULPTED SPINDLE
6167	BUMP-STEER-OUTER TIE-ROD SET FOR CHASSISWORKS FABRICATED SPINDLE



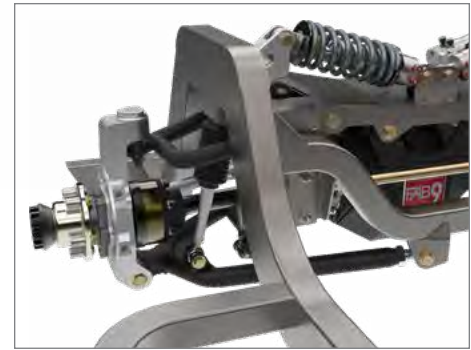
Independent Rear Suspension (IRS) Frame Clip

- IRS System
- Outside Frame Width (35" - 41")
- 4x2" Frame Rails

CUSTOM CHASSIS



Crossmember exhaust ports; not installed.

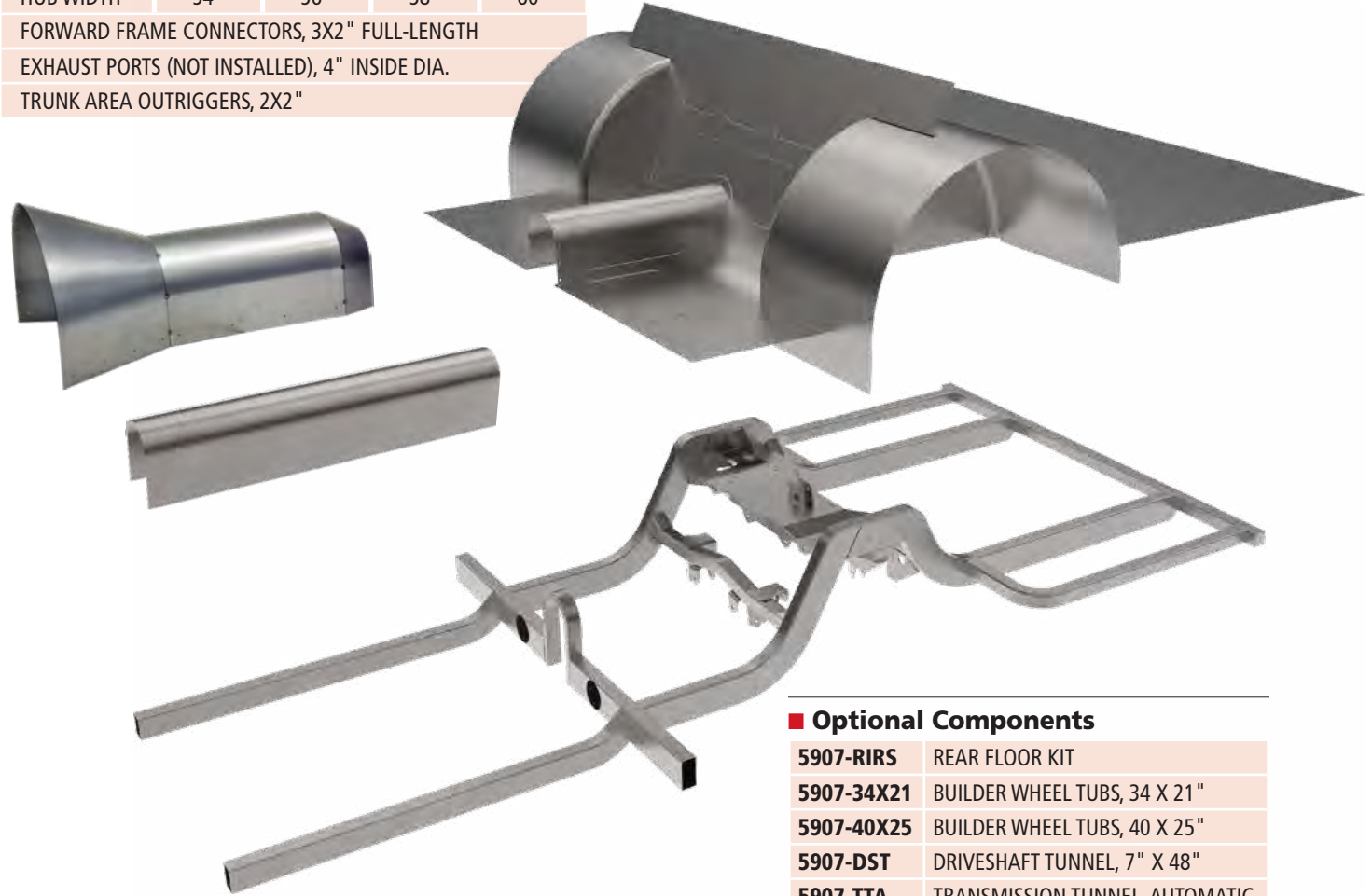


■ IRS Frame Clip

7723-U01-W FACTORY-WELDED - IRS FRAME CLIP, 4X2" RAILS

OPTIONS

FRAME WIDTH	35"	37"	39"	41"
HUB WIDTH	54"	56"	58"	60"
FORWARD FRAME CONNECTORS, 3X2" FULL-LENGTH				
EXHAUST PORTS (NOT INSTALLED), 4" INSIDE DIA.				
TRUNK AREA OUTRIGGERS, 2X2"				



■ Optional Components

5907-RIRS	REAR FLOOR KIT
5907-34X21	BUILDER WHEEL TUBS, 34 X 21"
5907-40X25	BUILDER WHEEL TUBS, 40 X 25"
5907-DST	DRIVESHAFT TUNNEL, 7" X 48"
5907-TTA	TRANSMISSION TUNNEL, AUTOMATIC
5907-TTM	TRANSMISSION TUNNEL, MANUAL

Independent Rear Suspension (IRS)



■ Suspension System

5867	ROCKER-ARM-ACTUATED COIL-OVER SUSPENSION
INCLUDES	UPPER & LOWER ARMS, TOE LINKS, ROCKER, PUSHROD
OPTIONS	WHEEL STUDS (1/2-20): 5X4-1/2, 5X4-3/4"
	CENTER-LOCK (FORGELINE): LONG, SHORT
	PINION SUPPORT: FORD 9", STRANGE ST IRON, STRANGE PRO-ALUMINUM
	COIL-OVERS: SINGLE, DOUBLE, 4-WAY ADJUSTABLE
	COIL SPRINGS: 450, 500, 550, 600 LB/IN
	AIR-SPRINGS: SINGLE, DOUBLE ADJUSTABLE
	BRAKES: 14 OR 15" WITH PARKING BRAKE
	ANTI-ROLL BAR: SPLINED-END ADJUSTABLE
	DIFFERENTIAL: STRANGE S-TRAC 35-SPLINE

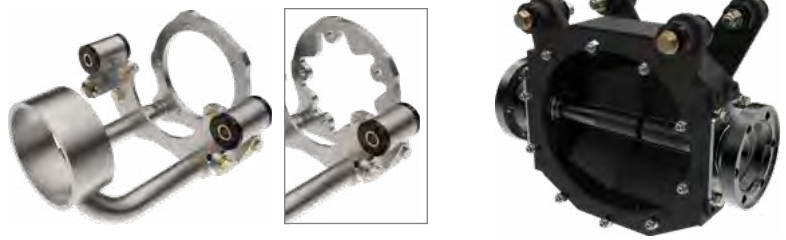
CUSTOM CHASSIS

Unit-Bearing Uprights



WHEEL STUDS	CENTER-LOCK
5 ON 4-1/2"	SHORT FORGELINE
5 ON 4-3/4"	LONG FORGELINE

Third-Member Specific



PINION SUPPORT	OUTPUT SHAFTS
FORD 9", STRANGE ST IRON	SHAFTS SPECIFIC TO DIFFERENTIAL TYPE
STRANGE PRO-ALUMINUM	STRANGE S-TRAC 35-SPLINE

Shock Absorbers



COIL-OVER SHOCKS	Q4R COIL-OVERS	AIR-SPRING SHOCKS
SINGLE-, DOUBLE-ADJUSTABLE	4-WAY ADJUST, PIGGYBACK	SINGLE ADJUSTABLE
450, 500, 550, 600 LB/IN	450, 500, 550, 600 LB/IN	DOUBLE ADJUSTABLE

Anti-Roll Bar



SPLINE-CONNECT BAR-TO-ARM
POLYMER BUSHINGS
ADJUSTABLE BAR RATE

Brakes



WHEEL STUD OR CENTER-LOCK HAT	WILWOOD AERO 4-PISTON CALIPERS
14" OR 15 X 1.25" DRILLED ROTORS	INTERNAL DRUM-STYLE PARKING BRAKE

CV Half Shafts

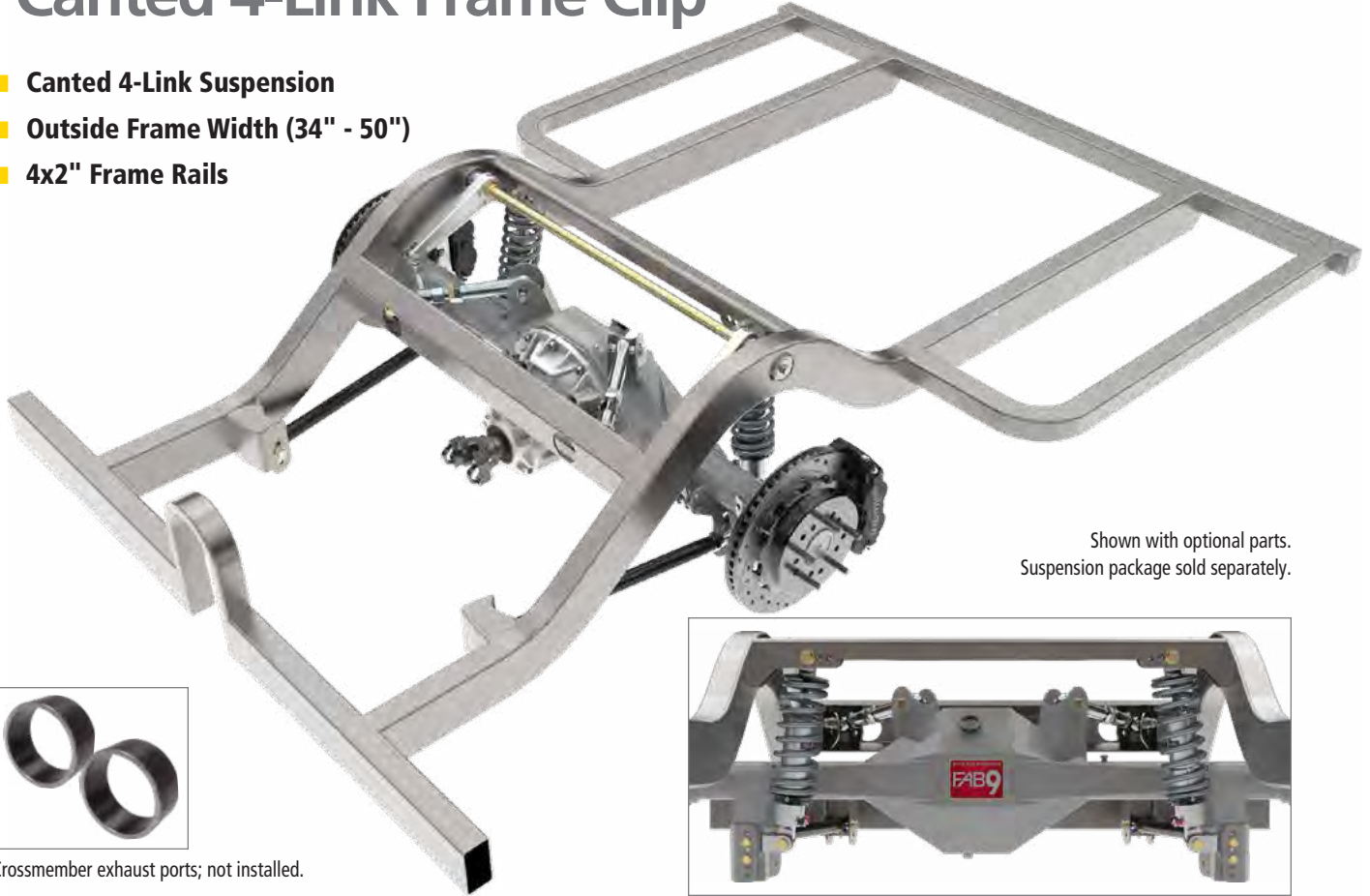


35-SPLINE 1-1/2" OD 4340 ALLOY SHAFTS; 1,500+ HP
VEHICLE SPECIFIC HUB WIDTHS: 54, 56, 58, 60"

Canted 4-Link Frame Clip

- Canted 4-Link Suspension
- Outside Frame Width (34" - 50")
- 4x2" Frame Rails

CUSTOM CHASSIS



Shown with optional parts. Suspension package sold separately.



Crossmember exhaust ports; not installed.

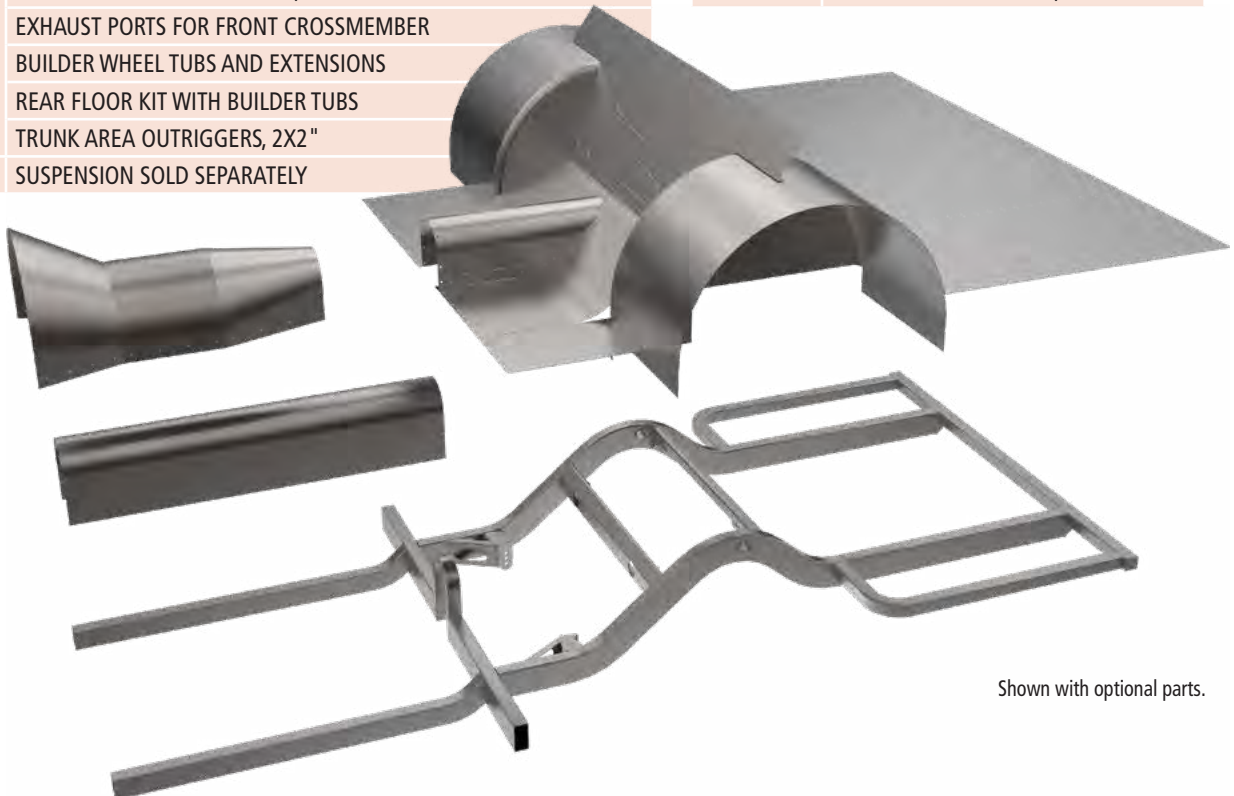


■ Canted 4-Link Rear Frame

7720-U01-W	FACTORY-WELDED - CANTED 4-LINK FRAME CLIP, 4X2" RAILS
7720-U01	UNASSEMBLED - CANTED 4-LINK FRAME CLIP, 4X2" RAILS
OPTIONS	4X2" FRAME CONNECTOR SET, 60" LENGTH EXHAUST PORTS FOR FRONT CROSSMEMBER BUILDER WHEEL TUBS AND EXTENSIONS REAR FLOOR KIT WITH BUILDER TUBS TRUNK AREA OUTRIGGERS, 2X2"
NOTE	SUSPENSION SOLD SEPARATELY

■ Optional Components

5907-DST	DRIVESHAFT TUNNEL, 7" X 48"
5907-TTA	TRANSMISSION TUNNEL, AUTOMATIC
5907-TTM	TRANSMISSION TUNNEL, MANUAL



Shown with optional parts.

Canted 4-Link Suspension

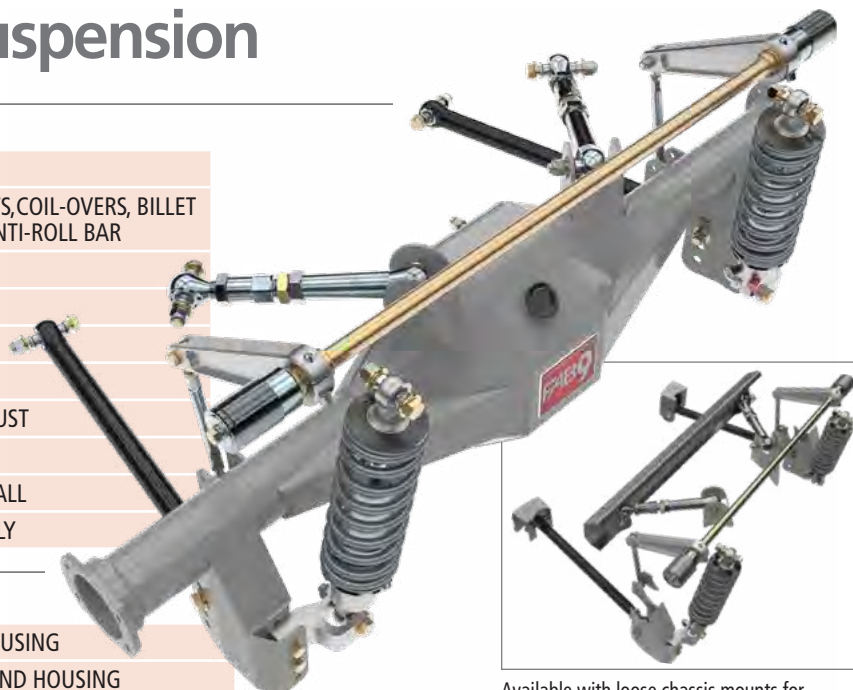
Suspension System

5852-U01	CANTED 4-LINK SUSPENSION SYSTEM
INCLUDES	SUSPENSION LINKS, HOUSING MOUNTS, COIL-OVERS, BILLET LOWER SHOCK MOUNTS, BALL-END ANTI-ROLL BAR

OPTIONS

TUBULAR STEEL OR BILLET-ALUMINUM ARMS
AXLE HOUSING MOUNTS AND WELD FIXTURE
AIR-SPRINGS: SINGLE OR DOUBLE ADJUSTABLE
COIL-OVERS: FIXED, SINGLE, DOUBLE, 4-WAY ADJUST
SPRING RATE: 175, 200, 250 LB/IN
CONTROL ARM CHASSIS MOUNTS; CUSTOM INSTALL

NOTE FOR USE WITH FORD 9" REAREND ONLY



Available with loose chassis mounts for custom or existing frame rails.

FAB9™ Rear End Housings

84U01-N11	4130 FAB9 REAR END HOUSING
84U01-N01	MILD STEEL FAB9 REAR END HOUSING

OPTIONS

WIDTH WITH ENDS	36" TO 62-1/4" IN 1/4" INCREMENTS
PINION OFFSET	CENTERED, 1/2" OR 1" TO PASSENGER-SIDE
4-LINK BRACKET WIDTH	34" TO 50" IN 1/2" INCREMENTS
HOUSING ADD ONS	HOUSING VENT (ALONG AXLE TUBE) FOLDED BACKBRACE

HOUSING END STYLE	LATE BIG FORD SEAL PROVISION SMALL GM WITH SEAL PROVISION PRO-TOURING FLOATER AXLE DRAG RACE ENDS ALSO AVAILABLE
--------------------------	---

Control Arms



TUBULAR STEEL (SA)	TUBULAR STEEL (DA)	BILLET ALUMINUM
UPPER - SINGLE ADJUSTABLE	UPPER - DOUBLE ADJUSTABLE	UPPER - SINGLE ADJUSTABLE
LOWER - SINGLE ADJUSTABLE	LOWER - SINGLE ADJUSTABLE	LOWER - FIXED LENGTH

Shock Absorbers



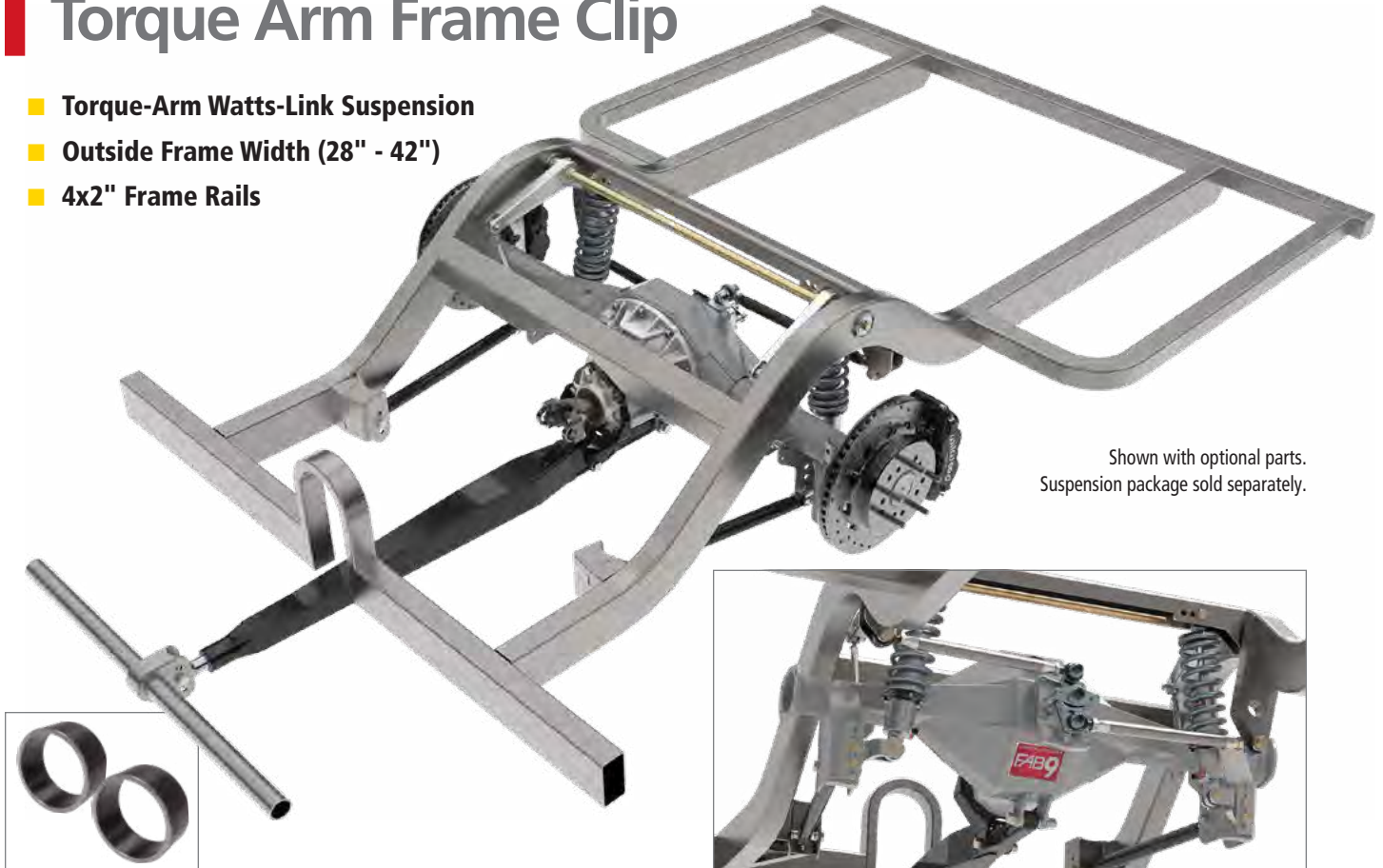
COIL-OVER SHOCKS	Q4R COIL-OVERS	AIR-SPRING SHOCKS	INSTALLATION OPTIONS
FACTORY-VALVED POLY-EYE	4-WAY ADJUST COM-8 EYE	SINGLE ADJUST COM-8	UPPER AXLE BRACET FIXTURE
SINGLE- OR DOUBLE-ADJUST COM-8	REMOTE RESERVOIR MOUNT	DOUBLE ADJUST COM-8	UPPER ARM CROSSMEMBER
SPRINGS: 175, 200, 250 LB/IN	SPRINGS: 200 LB/IN		LOWER ARM CHASSIS MOUNTS

CUSTOM CHASSIS

Torque Arm Frame Clip

- Torque-Arm Watts-Link Suspension
- Outside Frame Width (28" - 42")
- 4x2" Frame Rails

CUSTOM CHASSIS



Shown with optional parts. Suspension package sold separately.

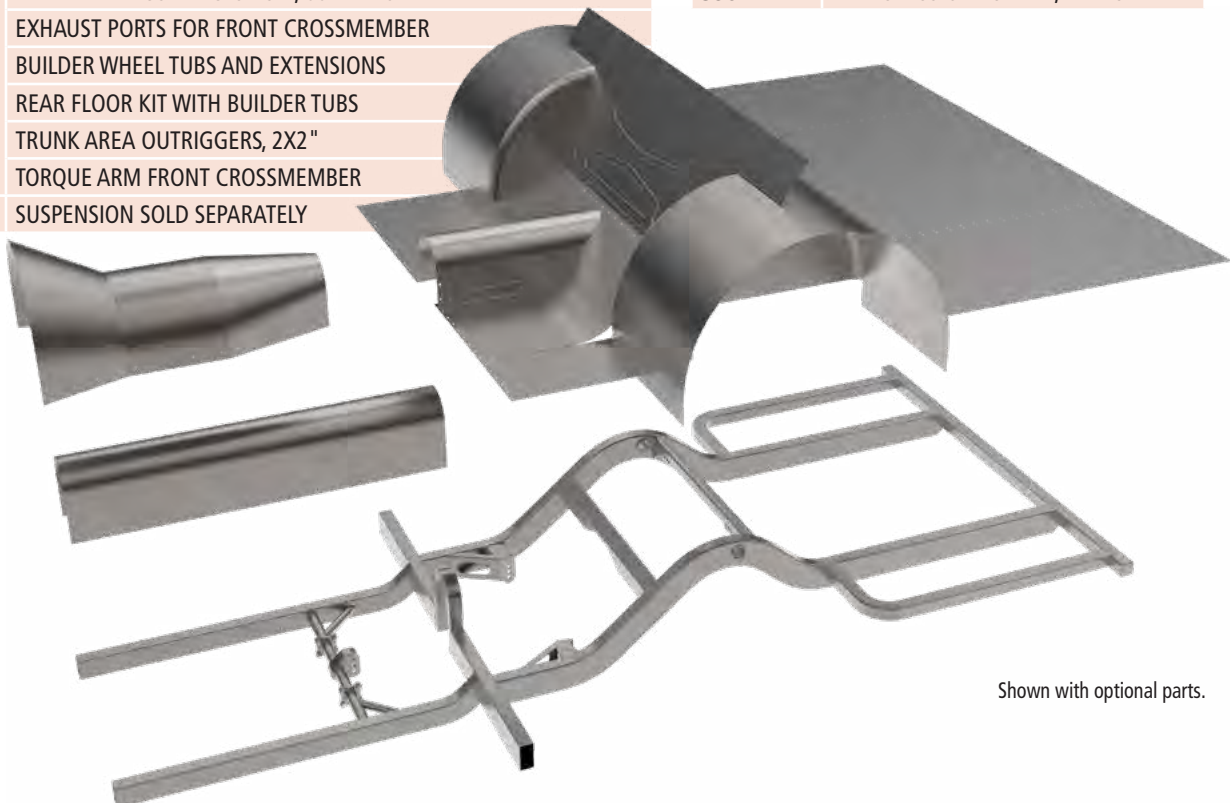
Crossmember exhaust ports; not installed.

■ Torque-Arm Watts-Link Rear Frame

7721-U01-W	FACTORY-WELDED - TORQUE-ARM FRAME CLIP, 4X2" RAILS
7721-U01	UNASSEMBLED - TORQUE-ARM FRAME CLIP, 4X2" RAILS
OPTIONS	4X2" FRAME CONNECTOR SET, 60" LENGTH EXHAUST PORTS FOR FRONT CROSSMEMBER BUILDER WHEEL TUBS AND EXTENSIONS REAR FLOOR KIT WITH BUILDER TUBS TRUNK AREA OUTRIGGERS, 2X2" TORQUE ARM FRONT CROSSMEMBER
NOTE	SUSPENSION SOLD SEPARATELY

■ Optional Components

5907-DST	DRIVESHAFT TUNNEL, 7" X 48"
5907-TTA	TRANSMISSION TUNNEL, AUTOMATIC
5907-TTM	TRANSMISSION TUNNEL, MANUAL



Shown with optional parts.

Torque Arm Suspension

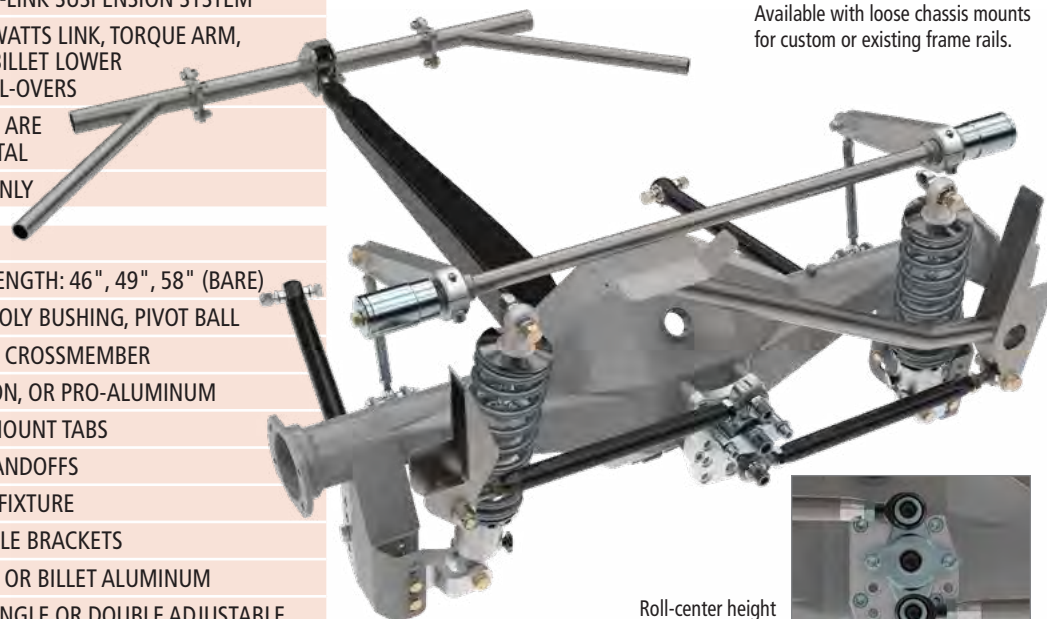
Suspension System

5857-U05	TORQUE-ARM WATTS-LINK SUSPENSION SYSTEM
INCLUDES	SUSPENSION LINKS, WATTS LINK, TORQUE ARM, HOUSING MOUNTS, BILLET LOWER SHOCK MOUNTS, COIL-OVERS
NOTES	WELDED ASSEMBLIES ARE PAINTABLE BARE METAL USE WITH FORD 9" ONLY

OPTIONS

TORQUE ARM	TORQUE ARM LENGTH: 46", 49", 58" (BARE)
ARM PIVOT	SLIDING LINK: POLY BUSHING, PIVOT BALL
CROSSMEMBER	FRONT CHASSIS CROSSMEMBER
PINION MOUNT	FORD 9", ST-IRON, OR PRO-ALUMINUM
HOUSING MOUNTS	TORQUE ARM MOUNT TABS WATTS LINK STANDOFFS BOLT-ON WELD FIXTURE LOWER ARM AXLE BRACKETS
LOWER ARMS	TUBULAR STEEL OR BILLET ALUMINUM
SHOCKS	AIR-SPRINGS: SINGLE OR DOUBLE ADJUSTABLE COIL-OVERS: FIXED, SINGLE, DOUBLE, 4-WAY SPRING RATE: 175, 200, 250 LB/IN
SWAYBAR	SPLINED-END TUBULAR ANTI-ROLL BAR

Available with loose chassis mounts for custom or existing frame rails.



Roll-center height adjusts by moving pivot position.



CUSTOM CHASSIS

Control Arms



LOWER ARM STYLE

- TUBULAR STEEL, ADJUSTABLE
- BILLET ALUMINUM, FIXED

FAB9™ Rear End Housings

84U03-N11	4130 FAB9 REAR END HOUSING
84U03-N01	MILD STEEL FAB9 REAR END HOUSING
OPTIONS	
WIDTH WITH ENDS	34" TO 56" IN 1/4" INCREMENTS
PINION OFFSET	CENTERED, 1/2" OR 1" TO PASSENGER-SIDE
LCA BRACKET WIDTH	25" TO 44" IN 1/2" INCREMENTS
HOUSING ADD ONS	HOUSING VENT (ALONG AXLE TUBE) FOLDED BACKBRACE
HOUSING END STYLE	LATE BIG FORD SEAL PROVISION SMALL GM WITH SEAL PROVISION PRO-TOURING FLOATER AXLE DRAG RACE ENDS ALSO AVAILABLE

Shock Absorbers



COIL-OVER SHOCKS	Q4R COIL-OVERS	AIR-SPRING SHOCKS
SINGLE-ADJUSTABLE COM-8	4-WAY ADJUST COM-8 EYE	SINGLE ADJUST COM-8
DOUBLE-ADJUSTABLE COM-8	REMOTE RESERVOIR MOUNT	DOUBLE ADJUST COM-8
SPRINGS: 175, 200 LB/IN	SPRINGS: 200, 250 LB/IN	

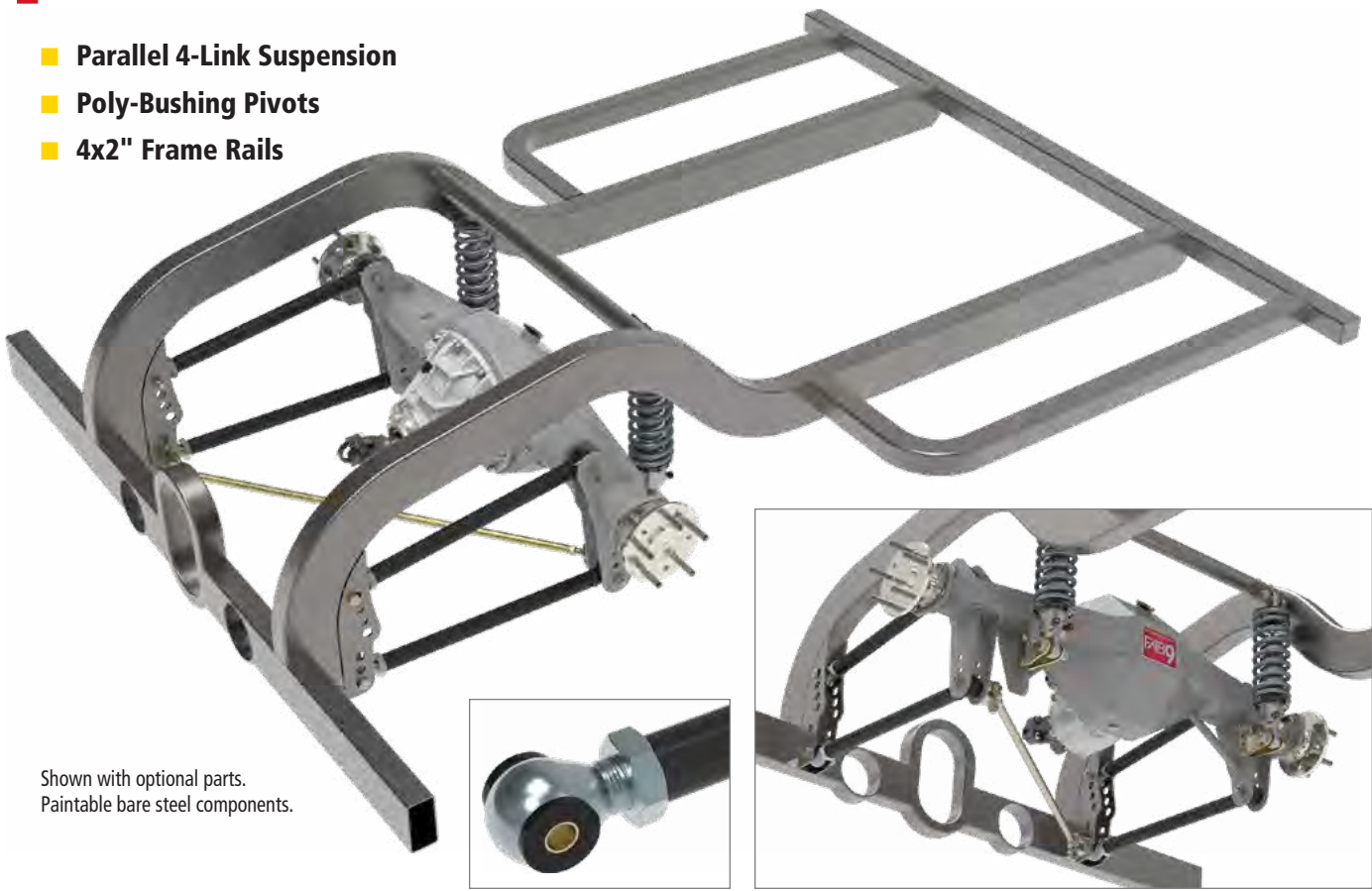


Pinion angle and arm alignment mechanism

Pro Street 4-Link Frame Clip System

- Parallel 4-Link Suspension
- Poly-Bushing Pivots
- 4x2" Frame Rails

CUSTOM CHASSIS



Shown with optional parts.
Paintable bare steel components.



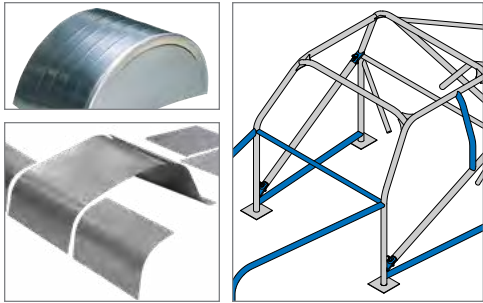
■ Pro Street 4-Link Rear Frame System

783213	PRO-STREET 4-LINK REAR CLIP - 4X2" FRAME RAILS CONTAINS FRAME CLIP, 4-LINK WITH POLY ROD ENDS, COIL-OVERS
OPTIONS	
FRAME CLIP	UNASSEMBLED OR FACTORY-WELDED FRAME CLIP FRAME OUTSIDE WIDTH (20" TO 50" IN 1/2" INCREMENTS) EXHAUST PORTS AND/OR SUBFRAME CONNECTORS
LOCATER	BOLT-ON LOCATER, SINGLE- OR DOUBLE-ADJUSTABLE PANHARD BAR
SHOCKS	VARISHOCK SENSISET, QUICKSET 1, QUICKSET 2 (POLY EYE)
SPRING RATE	95, 110, 130, 150, 175, 200, OR 250 LB/IN
FLOOR AND TUBS	REAR FLOOR KIT AND/OR WHEEL TUBS IN STEEL OR ALUMINUM
ROLL CAGE	NO CAGE, VEHICLE-SPECIFIC 10-POINT, OR CUSTOM CAGE FORWARD STRUTS, ROCKER TUBES, HELMET BAR, DASHBOARD BAR

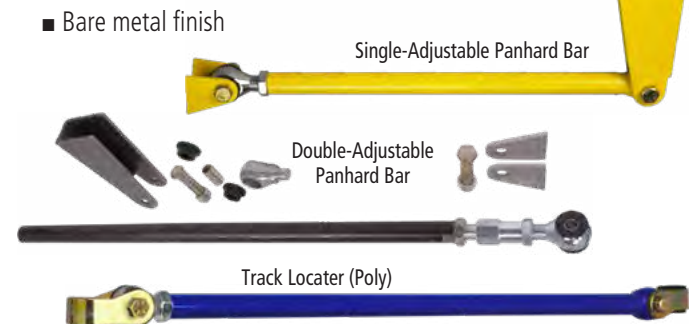
■ Optional Components

5909-OFR	FRAME OUTRIGGER SET, 2X2"
8255	FAB9 REAR END HOUSING, MILD
8256	FAB9 REAR END HOUSING, 4130

■ Roll Cage and Sheet Metal



■ Locater Options

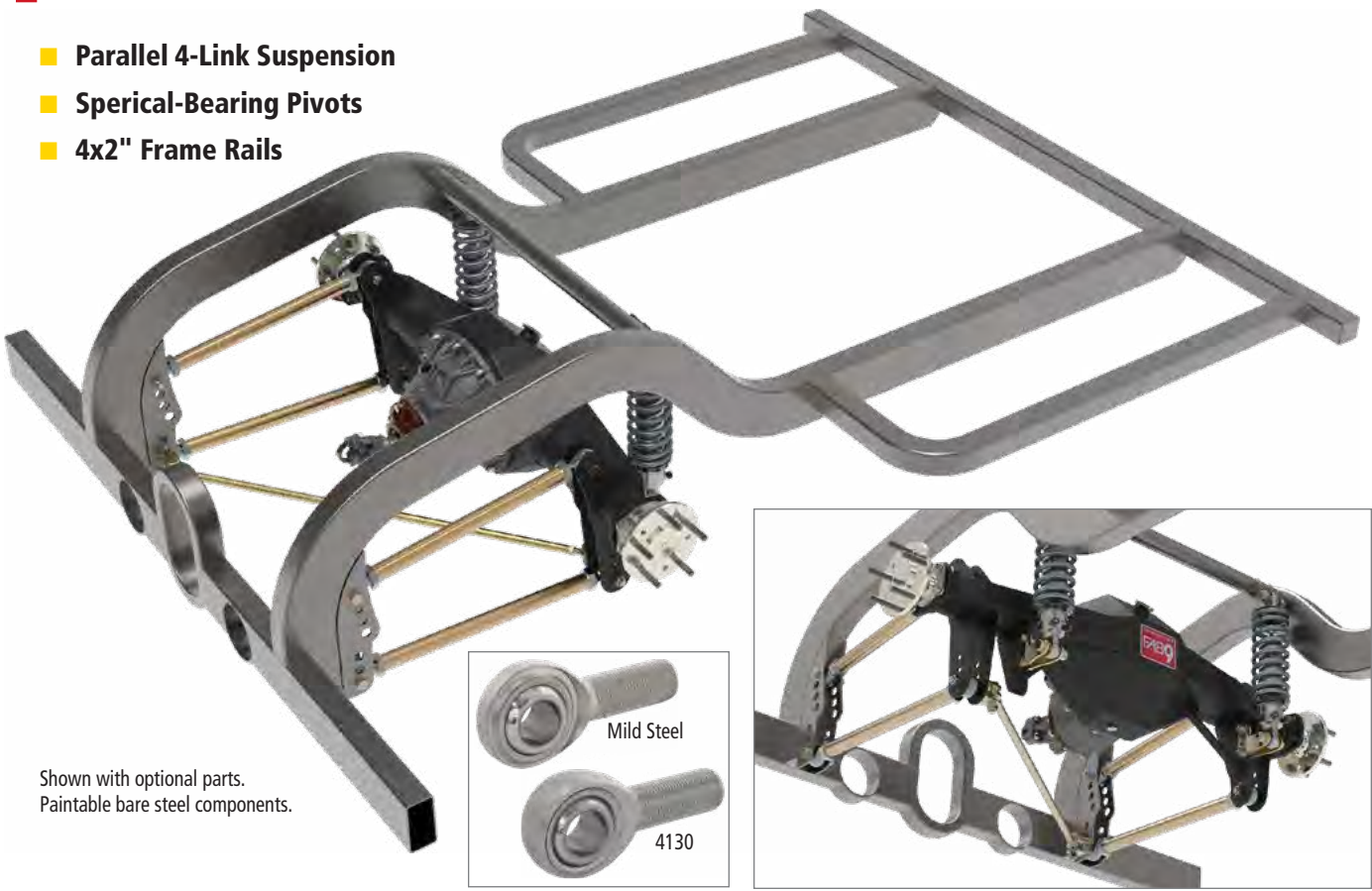


■ Shock Options



Drag Race 4-Link Frame Clip System

- Parallel 4-Link Suspension
- Spherical-Bearing Pivots
- 4x2" Frame Rails



Shown with optional parts.
Paintable bare steel components.

CUSTOM CHASSIS

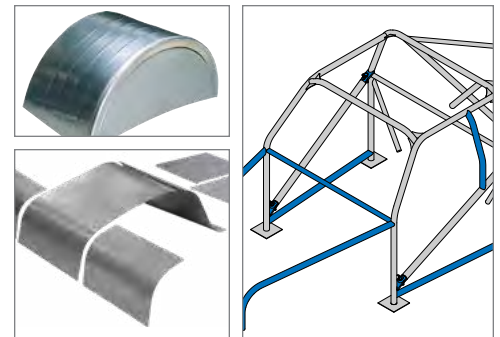
■ Drag Race 4-Link Rear Frame System

783203	DRAG-RACE 4-LINK REAR CLIP - 4X2" FRAME RAILS CONTAINS FRAME CLIP, 4-LINK BARS, LOCATER, COIL-OVERS
OPTIONS	
4-LINK	MILD-STEEL, 4130, 4130 TEFLON® ROD END SETS
FRAME CLIP	UNASSEMBLED OR FACTORY-WELDED FRAME CLIP FRAME OUTSIDE WIDTH (20" TO 50" IN 1/2" INCREMENTS) EXHAUST PORTS AND/OR SUBFRAME CONNECTORS
LOCATER	BOLT-ON LOCATER OR WISHBONE WITH ROD ENDS
SHOCKS	VARISHOCK SENSiset (POLY), QUICKSET 1, QUICKSET 2 (COM-8)
SPRING RATE	95, 110, 130, 150, 175, 200, OR 250 LB/IN
FLOOR AND TUBS	REAR FLOOR KIT AND/OR WHEEL TUBS IN STEEL OR ALUMINUM
ROLL CAGE	NO CAGE, VEHICLE-SPECIFIC 10-POINT, OR CUSTOM CAGE FORWARD STRUTS, ROCKER TUBES, HELMET BAR, DASHBOARD BAR

■ Optional Components

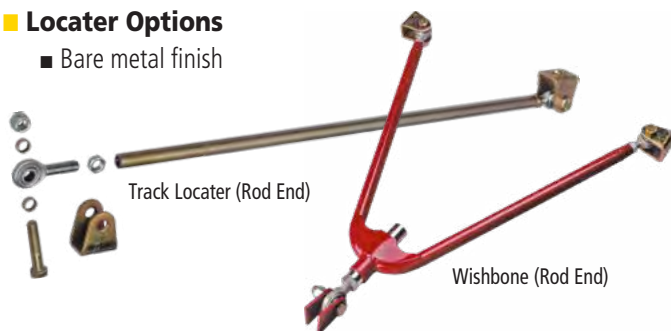
5909-OFR	FRAME OUTRIGGER SET, 2X2"
8255	FAB9 REAR END HOUSING, MILD
8256	FAB9 REAR END HOUSING, 4130

■ Roll Cage and Sheet Metal



■ Locater Options

- Bare metal finish



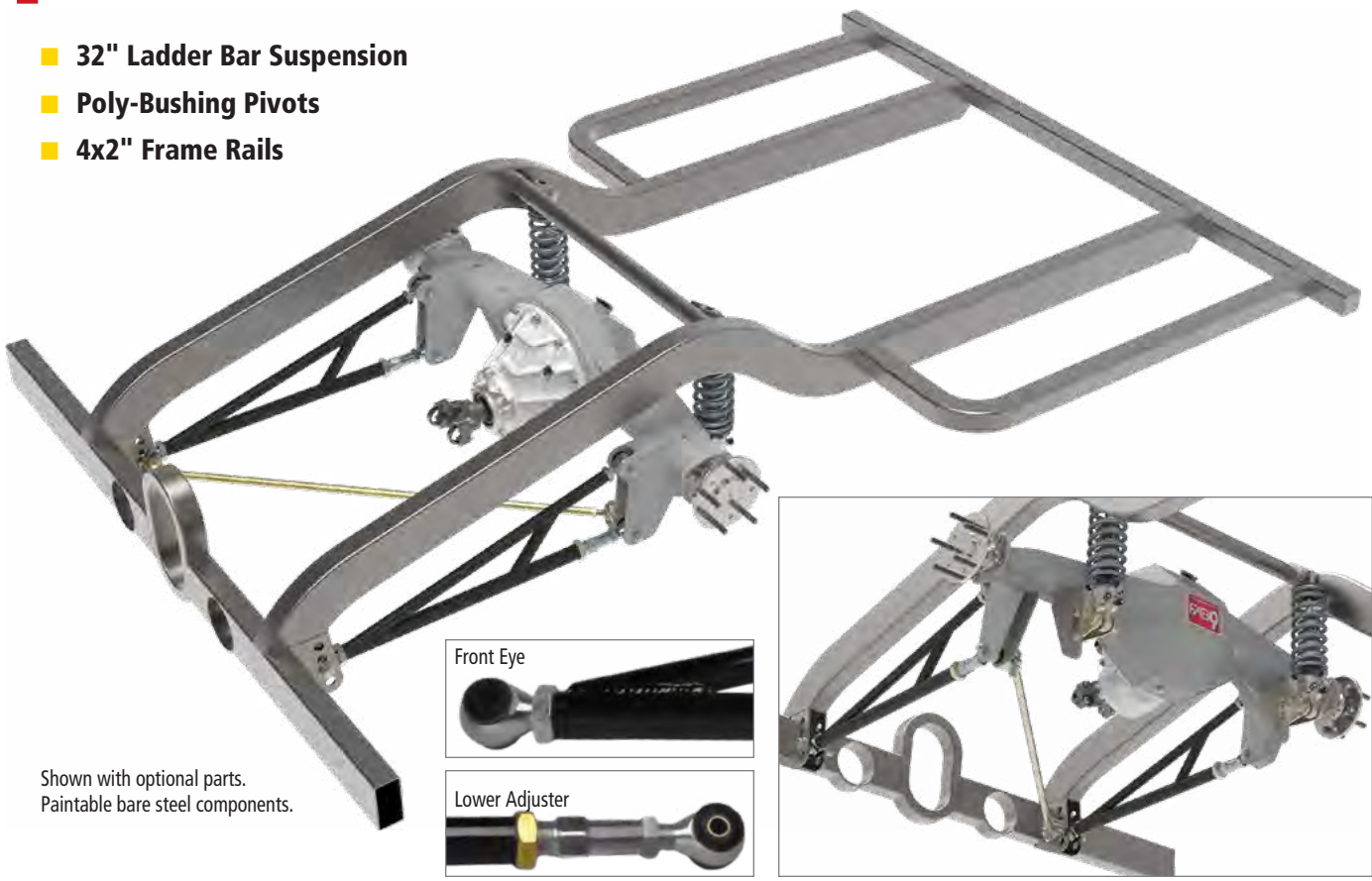
■ Shock Options



Pro Street 32" Ladder Bar Frame Clip System

- 32" Ladder Bar Suspension
- Poly-Bushing Pivots
- 4x2" Frame Rails

CUSTOM CHASSIS



Shown with optional parts.
Paintable bare steel components.

■ 32" Pro Street Ladder Bar Rear Frame System

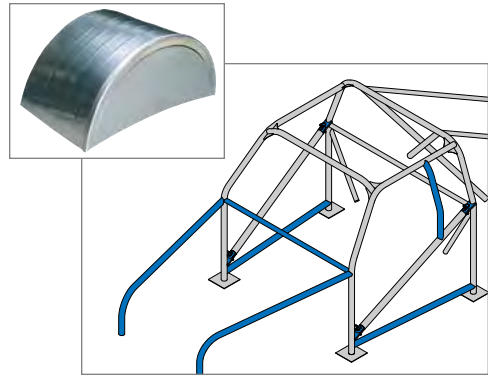
783113	PRO-STREET 32" LADDER BAR REAR CLIP - 4X2" FRAME RAILS CONTAINS FRAME CLIP, LADDER BARS (POLY ROD ENDS), COIL-OVERS
---------------	---

OPTIONS	
LADDER BAR	ADJUSTABLE LADDER BARS WITH SAFETY STRAP
FRAME CLIP	UNASSEMBLED OR FACTORY-WELDED FRAME CLIP FRAME OUTSIDE WIDTH (20" TO 50" IN 1/2" INCREMENTS) EXHAUST PORTS AND/OR SUBFRAME CONNECTORS
LOCATER	BOLT-ON LOCATER, SINGLE- OR DOUBLE-ADJUSTABLE PANHARD BAR
SHOCKS	VARISHOCK SENSISET, QUICKSET 1, QUICKSET 2 (POLY EYE)
SPRING RATE	95, 110, 130, 150, 175, 200, 250 OR 300 LB/IN
WHEEL TUBS	STEEL OR ALUMINUM
ROLL CAGE	NO CAGE, VEHICLE-SPECIFIC 10-POINT, OR CUSTOM CAGE FORWARD STRUTS, ROCKER TUBES, HELMET BAR, DASHBOARD BAR

■ Optional Components

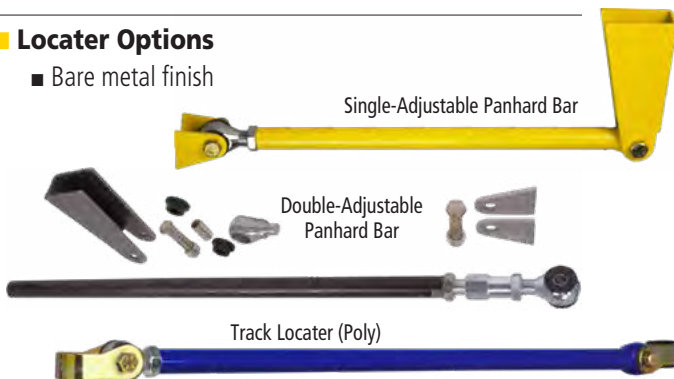
5909-OFR	FRAME OUTRIGGER SET, 2X2"
8260	FAB9 REAR END HOUSING, MILD

■ Wheel Tubs and Roll Cage



■ Locater Options

- Bare metal finish



■ Shock Options



Drag Race 32" Ladder Bar Frame Clip System

- 32" Ladder Bar Suspension
- Bearing and Solid Pivots
- 4x2" Frame Rails



Shown with optional parts.
Paintable bare steel components.

CUSTOM CHASSIS

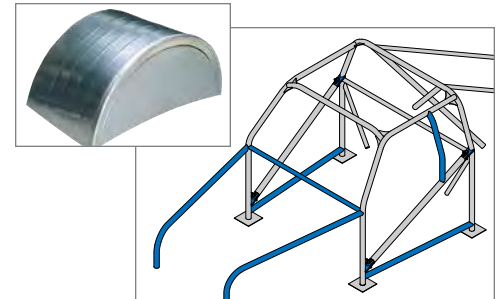
■ 32" Drag Race Ladder Bar Rear Frame System

783103	DRAG-RACE 32" LADDER BAR REAR CLIP - 4X2" FRAME RAILS CONTAINS FRAME CLIP, LADDER BARS (SOLID ROD ENDS), COIL-OVERS
OPTIONS	
LADDER BAR	ADJUSTABLE LADDER BARS WITH SAFETY STRAP
FRAME CLIP	UNASSEMBLED OR FACTORY-WELDED FRAME CLIP FRAME OUTSIDE WIDTH (20" TO 50" IN 1/2" INCREMENTS) EXHAUST PORTS AND/OR SUBFRAME CONNECTORS
LOCATER	WELD-IN OR BOLT-ON LOCATER, OR WISHBONE
SHOCKS	VARISHOCK SENSISET (POLY), QUICKSET 1, QUICKSET 2 (COM-8)
SPRING RATE	95, 110, 130, 150, 175, 200, 250 OR 300 LB/IN
WHEEL TUBS	STEEL OR ALUMINUM
ROLL CAGE	NO CAGE, VEHICLE-SPECIFIC 10-POINT, OR CUSTOM CAGE FORWARD STRUTS, ROCKER TUBES, HELMET BAR, DASHBOARD BAR

■ Optional Components

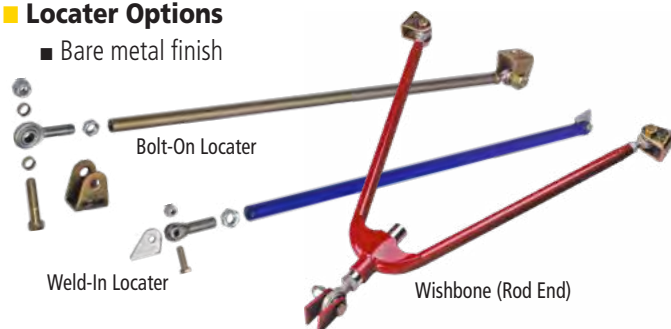
5909-OFR	FRAME OUTRIGGER SET, 2X2"
8257	FAB9 REAR END HOUSING, MILD, 3"
8258	FAB9 REAR END HOUSING, 4130, 3"
8259	FAB9 REAR END HOUSING, 4130, 3.25"

■ Wheel Tubs and Roll Cage



■ Locater Options

- Bare metal finish



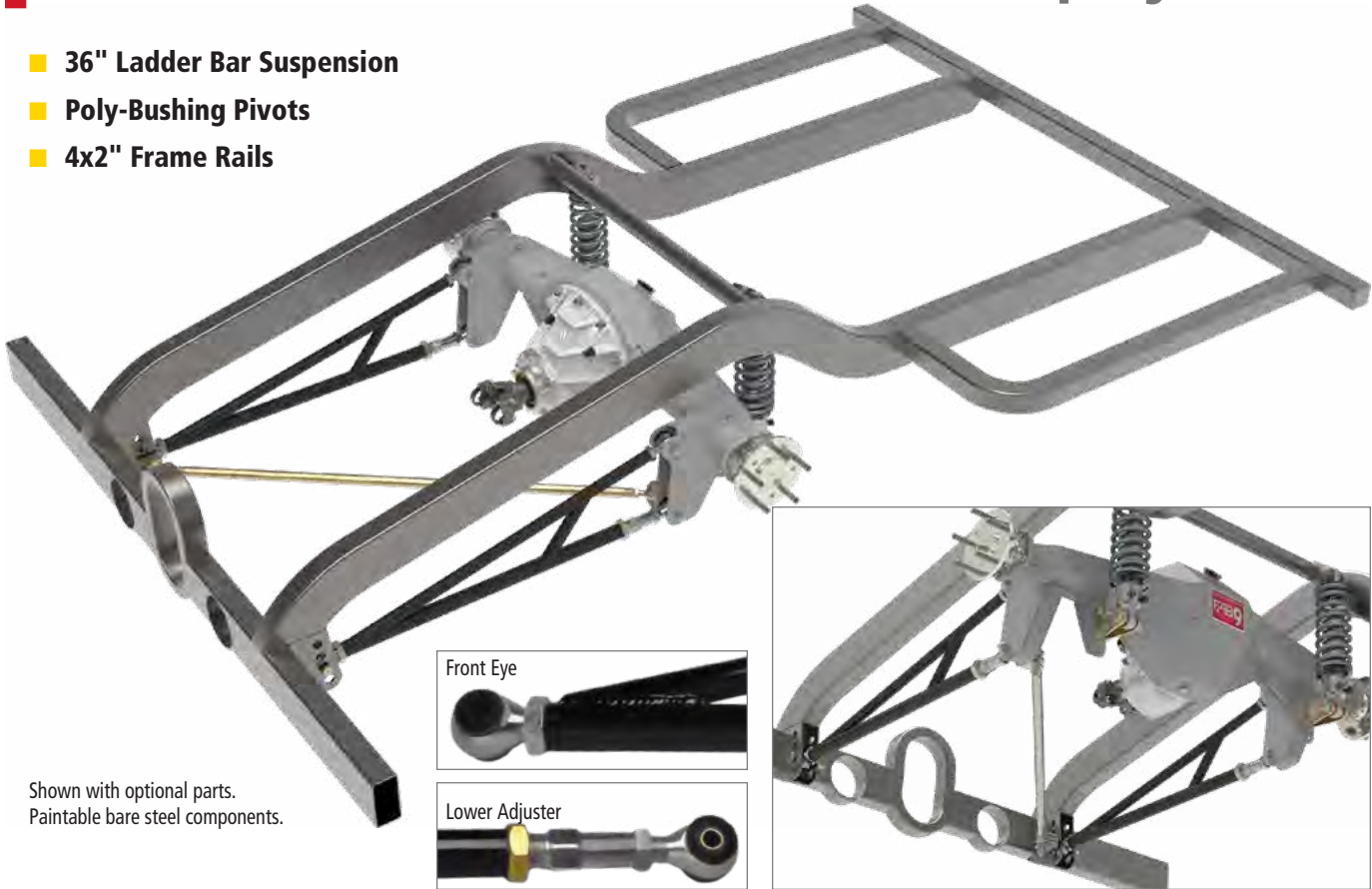
■ Shock Options



Pro Street 36" Ladder Bar Frame Clip System

- 36" Ladder Bar Suspension
- Poly-Bushing Pivots
- 4x2" Frame Rails

CUSTOM CHASSIS



Shown with optional parts.
Paintable bare steel components.

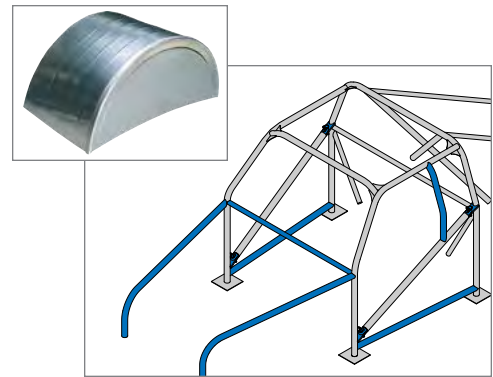
■ 36" Pro Street Ladder Bar Rear Frame System

783133	PRO-STREET 36" LADDER BAR REAR CLIP - 4X2" FRAME RAILS CONTAINS FRAME CLIP, LADDER BARS (POLY ROD ENDS), COIL-OVERS
OPTIONS	
LADDER BAR	ADJUSTABLE LADDER BARS AND SAFETY STRAP
FRAME CLIP	UNASSEMBLED OR FACTORY-WELDED FRAME CLIP FRAME OUTSIDE WIDTH (20" TO 50" IN 1/2" INCREMENTS) EXHAUST PORTS AND/OR SUBFRAME CONNECTORS
LOCATER	BOLT-ON LOCATER, SINGLE- OR DOUBLE-ADJUSTABLE PANHARD BAR
SHOCKS	VARISHOCK SENSISSET, QUICKSET 1, QUICKSET 2 (POLY EYE)
SPRING RATE	95, 110, 130, 150, 175, 200, 250 OR 300 LB/IN
WHEEL TUBS	STEEL OR ALUMINUM
ROLL CAGE	NO CAGE, VEHICLE-SPECIFIC 10-POINT, OR CUSTOM CAGE FORWARD STRUTS, ROCKER TUBES, HELMET BAR, DASHBOARD BAR

■ Optional Components

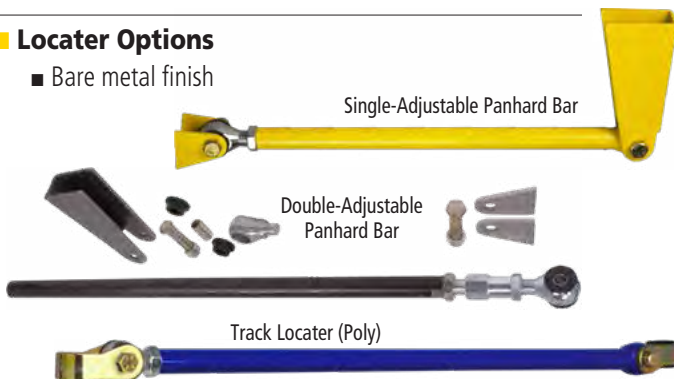
5909-OFR	FRAME OUTRIGGER SET, 2X2"
8260	FAB9 REAR END HOUSING, MILD

■ Wheel Tubs and Roll Cage



■ Locater Options

- Bare metal finish

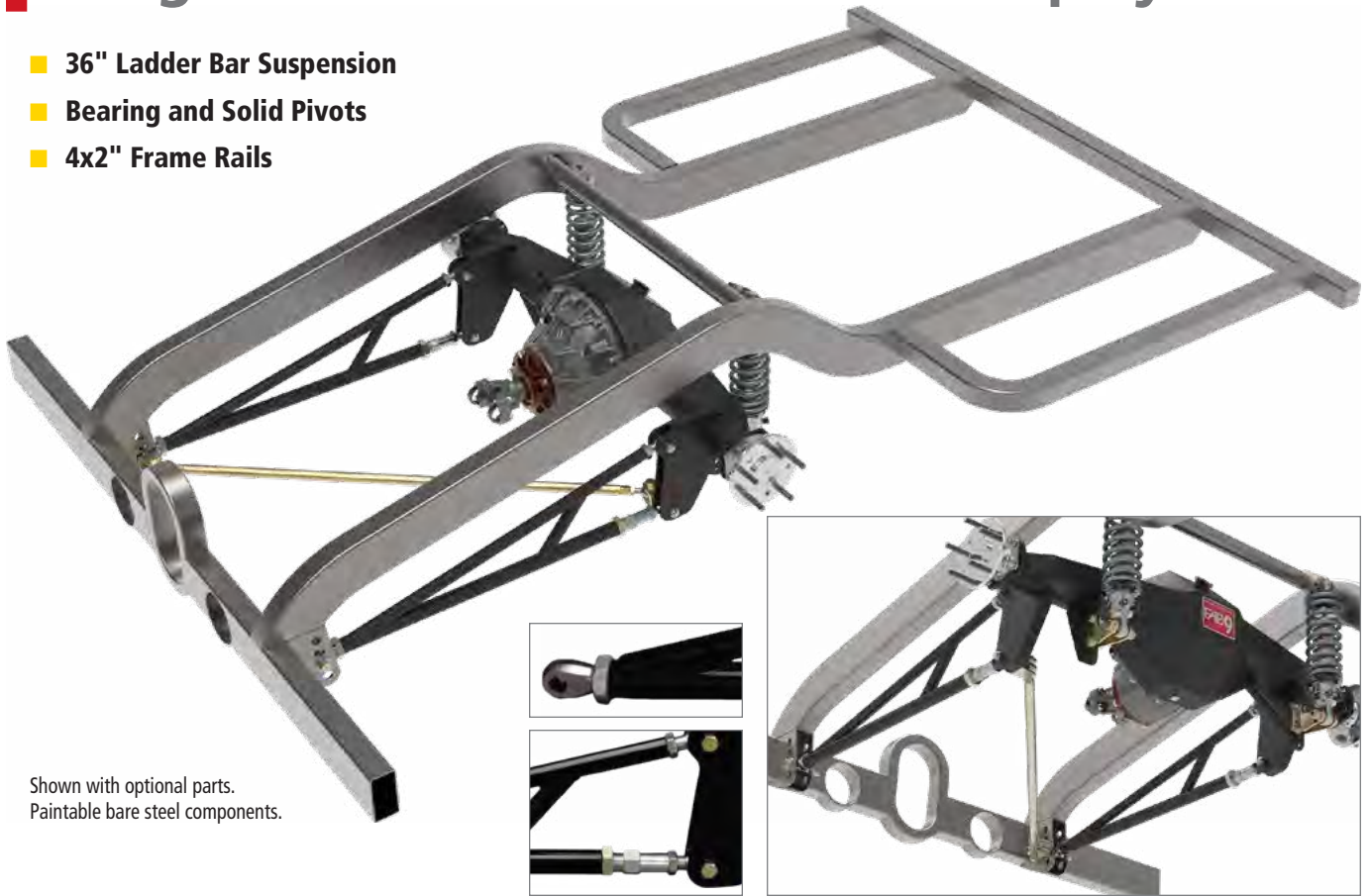


■ Shock Options



Drag Race 36" Ladder Bar Frame Clip System

- 36" Ladder Bar Suspension
- Bearing and Solid Pivots
- 4x2" Frame Rails



Shown with optional parts.
Paintable bare steel components.

CUSTOM CHASSIS

■ 36" Drag Race Ladder Bar Rear Frame System

783123	DRAG-RACE 36" LADDER BAR REAR CLIP - 4X2" FRAME RAILS CONTAINS FRAME CLIP, LADDER BARS (SOLID ROD ENDS), COIL-OVERS
---------------	---

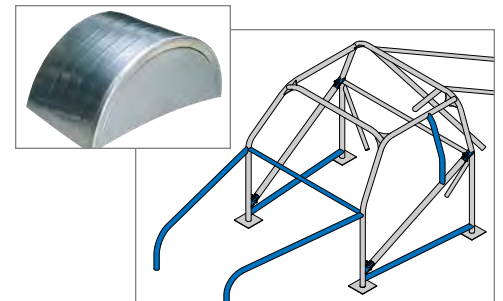
OPTIONS

LADDER BAR	ADJUSTABLE LADDER BARS, SAFETY STRAP
FRAME CLIP	UNASSEMBLED OR FACTORY-WELDED FRAME CLIP FRAME OUTSIDE WIDTH (20" TO 50" IN 1/2" INCREMENTS) EXHAUST PORTS AND/OR SUBFRAME CONNECTORS
LOCATER	WELD-IN OR BOLT-ON LOCATER, OR WISHBONE
SHOCKS	VARISHOCK SENSiset (POLY), QUICKSET 1, QUICKSET 2 (COM-8)
SPRING RATE	95, 110, 130, 150, 175, 200, 250 OR 300 LB/IN
WHEEL TUBS	STEEL OR ALUMINUM
ROLL CAGE	NO CAGE, VEHICLE-SPECIFIC 10-POINT, OR CUSTOM CAGE FORWARD STRUTS, ROCKER TUBES, HELMET BAR, DASHBOARD BAR

■ Optional Components

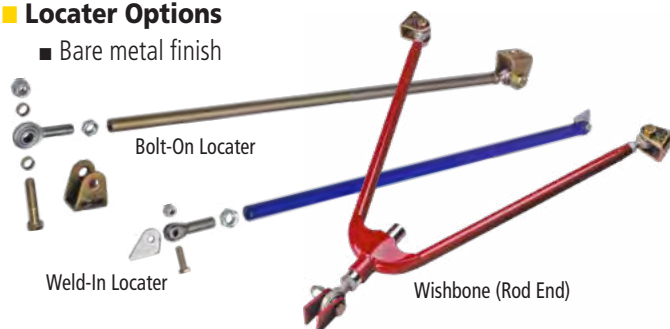
5909-OFR	FRAME OUTRIGGER SET, 2X2"
8257	FAB9 REAR END HOUSING, MILD, 3"
8258	FAB9 REAR END HOUSING, 4130, 3"
8259	FAB9 REAR END HOUSING, 4130, 3.25"

■ Wheel Tubs and Roll Cage



■ Locater Options

- Bare metal finish



■ Shock Options



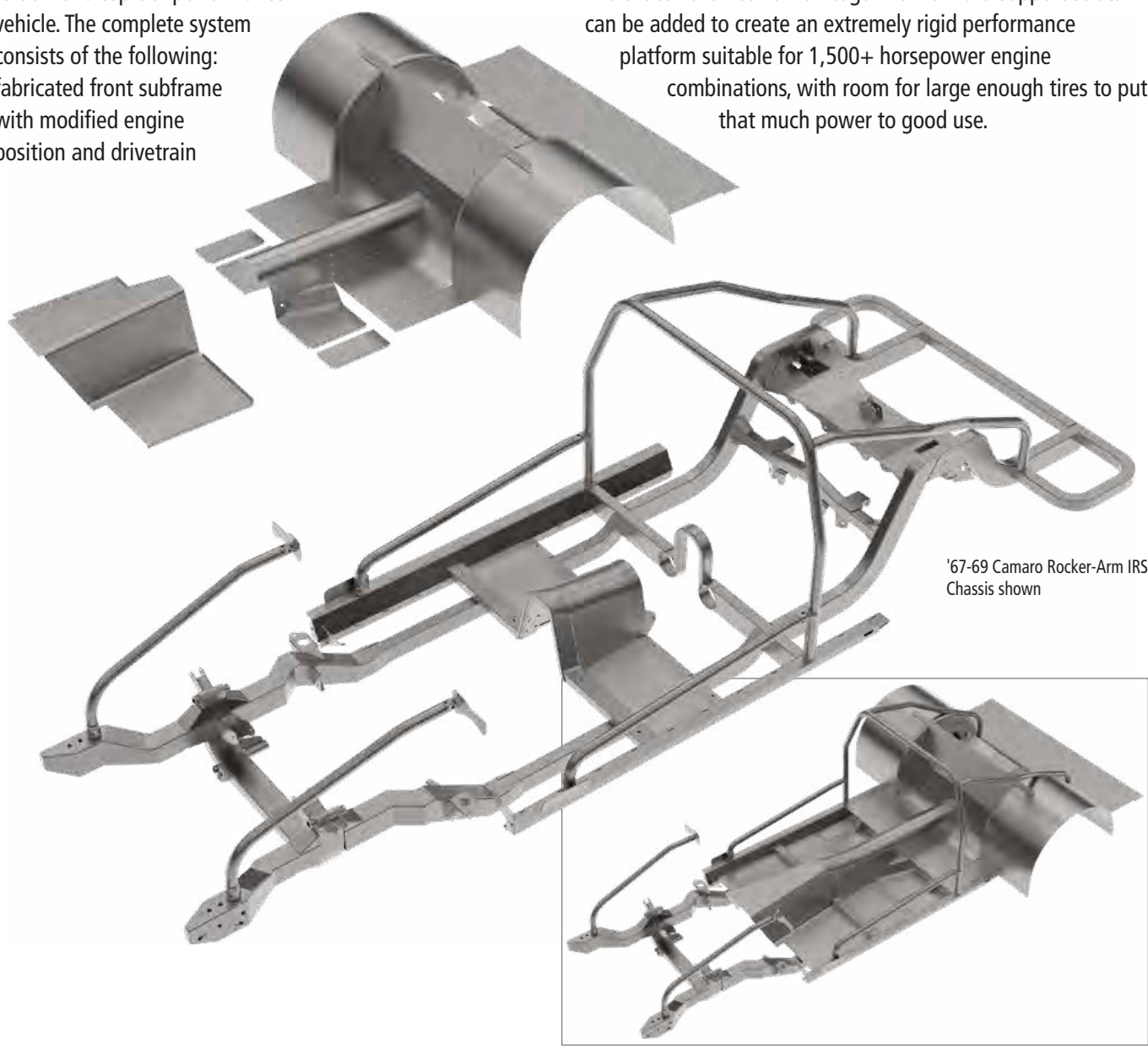
gStreet Pro-Touring Chassis System

NEW PRODUCT

The ultimate bumper-to-bumper chassis solution for high horsepower, big tire, pro-touring projects is now available as an off-the-shelf item. Builders can take advantage of Chassisworks robust engineering and manufacturing capabilities, saving hours of fabrication time and effort, while significantly shortening the timeframe to deliver a top-tier performance vehicle. The complete system consists of the following:
 fabricated front subframe with modified engine position and drivetrain

angle; replacement double-walled rockers; 3 x 2" subframe connectors; choice of independent rear suspension, canted-4-link, or torque arm with watts link suspension; fabricated transmission-tunnel and lowered seat-mount assembly; complete interior tin kit, including inner fenders, front firewall, front and rear floor, wheel tubs, trunk floor, and rear firewall. The exact-fit roll bar or roll cage with forward support struts can be added to create an extremely rigid performance platform suitable for 1,500+ horsepower engine combinations, with room for large enough tires to put that much power to good use.

gSTREET CHASSIS



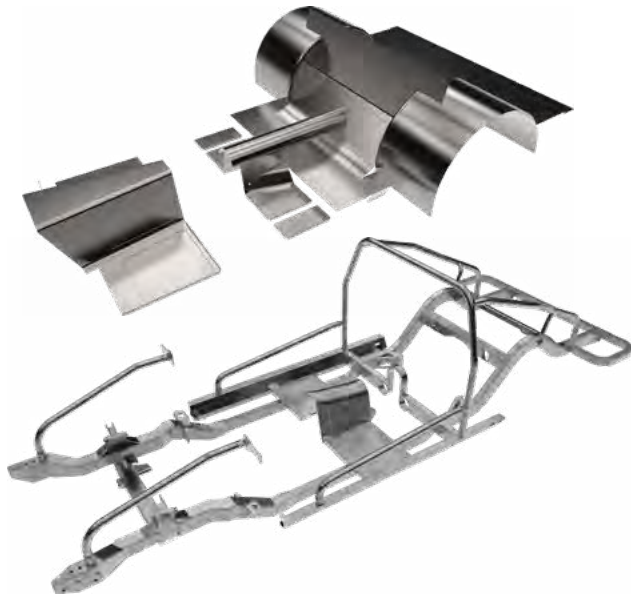
'67-69 Camaro Rocker-Arm IRS Chassis shown

MODEL	YEAR	CANTED 4-LINK		TORQUE ARM		ROCKER-ARM IRS	
		CHASSIS	FLOOR	CHASSIS	FLOOR	CHASSIS	FLOOR
CAMARO	67-69	7740-F10		7740-F10		7743-F10	
	70-81	7740-F20		7740-F20		7743-F20	
CHEVELLE	64-67	7760-A10-W	7760-A10-FF	7761-A10-W	7760-A10-FF	7763-A10-W	7762-A10-FF
	68-72	7760-A20-W	7760-A20-FF	7761-A20-W	7760-A20-FF	7763-A20-W	7762-A20-FF
GTO	64-67	7760-P10-W	7760-A10-FF	7761-P10-W	7760-A10-FF	7763-P10-W	7762-A10-FF
	68-72	7760-A20-W	7760-A20-FF	7761-A20-W	7760-A20-FF	7763-A20-W	7762-A20-FF
MUSTANG	65-70	7740-M10		7740-M10		7743-M10	

gStreet Pro-Touring Chassis System

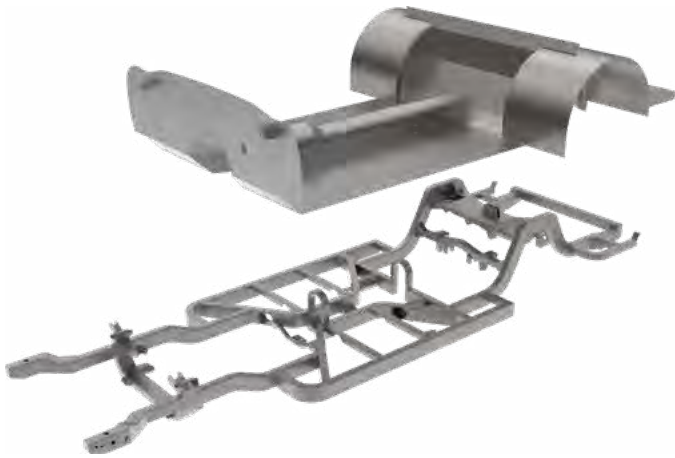
NEW PRODUCT

CAMARO (F-BODY) 1967-1981

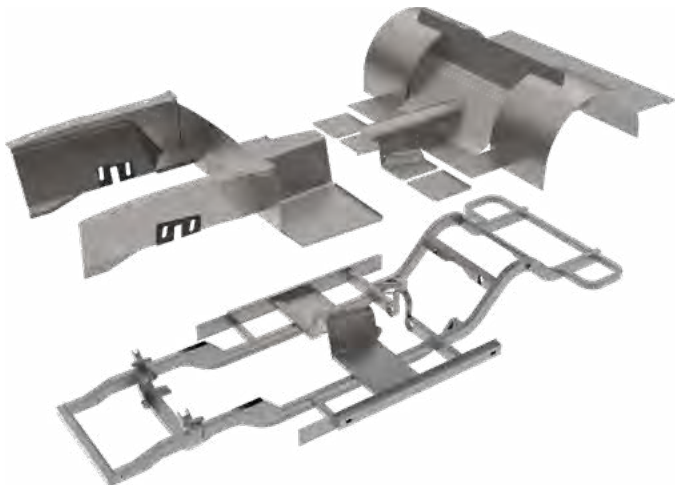


gSTREET CHASSIS

CHEVELLE 1964-1972, GTO 1964-1972



MUSTANG 1965-1970



gStreet Body Fixture and Cart

NEW PRODUCT

The Chassisworks fixture is designed to securely hold the vehicle body and provide open interior working space once the floor or other sheet metal areas have been removed. Adapter bracket sets allow the fixture to be used with multiple vehicle models. The fixture bolts to a common 2-post lift and the vehicle body is held at the A-pillar, B-pillar (door striker), and rear bumper mounts. Casters are optionally available for added mobility.



Modular Body Fixture



Front caster



Rear caster with extended fixture legs



B-pillar (door striker) body adapter



A-pillar (hinge bosses) body adapter



Rear bumper body adapter

7957-BF-FRAME	BODY FIXTURE FRAME COMPONENTS, REQUIRES ASSEMBLY, INCLUDES PRECUT 4X4" BOX TUBES AND FRAME MOUNTS. REQUIRES OPTIONAL WHEEL KIT AND BODY ADAPTERS.
7957-BF-F10	BODY ADAPTERS '67-69 CAMARO, REQUIRES ASSEMBLY, INCLUDES BODY ADAPTERS FOR A-PILLAR DOOR HINGES, B-PILLAR DOOR STRIKER AND REAR BUMPER.
7957-BF-M10	BODY ADAPTERS '65-70 MUSTANG, REQUIRES ASSEMBLY, INCLUDES BODY ADAPTERS FOR A-PILLAR DOOR HINGES, B-PILLAR DOOR STRIKER AND REAR BUMPER.

7957-BF-WHEELS	WHEEL SET FOR BODY FIXTURE FRAME, REQUIRES ASSEMBLY, INCLUDES FOUR CASTERS AND REAR FRAME LEGS
7957-CART	BODY CART COMPONENTS, UNASSEMBLED - INCLUDES PRECUT 2X4" BOX TUBES, BRACKETS, MOUNTS AND CASTERS.
NOTE	SPECIAL ORDER PARTS AND NOT RETURNABLE FOR ANY REASON

Body Cart



- Sturdy 2x4" boxed steel tubing
- Heavy-duty casters included
- Exterior raised lip prevents body shifting
- Welding required for assembly
- Tie-down loop at each corner
- Ships unassembled via small package carrier

gSTREET CHASSIS

gStreet Pro-Touring Chassis System

EXACT-FIT ROLL BARS AND CAGES

The gStreet Exact-Fit roll cages and roll bars are intended for pro-touring performance applications to add a level of protection and increase chassis rigidity. To improve interior clearance, fit, and accessibility, cage sides and rear struts feature additional bends not normally found in race-duty roll cages. Both roll bars and cages are constructed of mandrel-bent 1-3/4 x .134" -wall mild-steel tubing. Optionally available is an upgrade to 1-3/4 x .125" DOM tubing for compliance with SCCA rules.



MODEL	YEAR	ROLL BARS		ROLL CAGES			
		NO DOOR BARS	W/ DOOR BARS	1-5/8" MILD	1-5/8" 4130	1-3/4" .134" MILD	1-3/4" .125" DOM
CAMARO	67-69	7050-F10	7051-F10	7052-F10	7053-F10	7054-F10	7055-F10
	70-81	7050-F20	7051-F20	7052-F20	7053-F20	7054-F20	7055-F20
CHEVELLE	64-67	-	7051-A10	-	-	-	-
	68-72	-	7051-A20	-	7053-A20	-	-
MUSTANG COUPE	65-70	7050-M10-C	-	7052-M10-C	-	7054-M10-C	7055-M10-C
MUSTANG FASTBACK	65-70	7050-M10-F	7051-M10-F	7052-M10-F	-	7054-M10-F	7055-M10-F

gSTREET CHASSIS

FRONT SUSPENSIONS

g-Machine Front Suspension



7780	G-MACHINE FRONT SUSPENSION
	TUBULAR STEEL UPPER AND LOWER ARMS (SCREW-IN BALL-JOINTS), STEEL SPINDLES
SHOCKS	SINGLE- OR DOUBLE-ADJUSTABLE COM-8-EYE COIL-OVER SHOCKS 4-WAY ADJUSTABLE COM-8-EYE COIL-OVER SHOCKS WITH REMOTE RESERVOIR SINGLE- OR DOUBLE-ADJUSTABLE POLY-EYE AIR-SPRING SHOCKS
SPRINGS	500, 550, 600, 675, 750
STEERING	LEFT (USA) OR RIGHT (AUSTRALIA) HAND DRIVE
BRAKES	13", 14" ROTORS; BLACK OR RED CALIPERS
SWAYBAR	G-MACHINE TUBULAR FIXED-RATE 1-1/4" BAR SPLINED-END ADJUSTABLE-RATE 1-1/4" BAR

gStreet Front Suspension



7781	GSTREET FRONT SUSPENSION
	TUBULAR STEEL UPPER AND LOWER ARMS (INTEGRATED BALL-JOINTS), ALUMINUM UPRIGHTS, SPLINED-END ANTI-ROLL BAR
SPINDLE	4-1/2" OR 4-3/4" 5-LUG, OR CENTER-LOCK HUBS
STEERING	LEFT (USA) OR RIGHT (AUSTRALIA) HAND DRIVE
SHOCKS	SINGLE- OR DOUBLE-ADJUSTABLE COM-8-EYE COIL-OVER SHOCKS 4-WAY ADJUSTABLE COIL-OVER SHOCKS WITH REMOTE RESERVOIR; COM-8 OR PIVOT-BALL EYE SINGLE- OR DOUBLE-ADJUSTABLE POLY-EYE AIR-SPRING SHOCKS
SPRINGS	500, 550, 600, 675, 750
BRAKES	14", 15" ROTORS; BLACK OR RED CALIPERS

gStreet Pro-Touring Chassis System

G-MACHINE FRONT SUSPENSION (7780)

Suspension Components



CONTROL ARMS	SPINDLES	ANTI-ROLL BARS	TOOLS
G-MACHINE STYLE	SCULPTED STYLE	1" FIXED RATE	BALL-JOINT WRENCH
PAINTABLE BARE METAL	PAINTABLE BARE METAL	1-1/4" FIXED RATE	SHOCK SIMULATORS
		1-1/4" SPLINED ADJUSTABLE	

Shock Absorbers



COIL-OVER SHOCKS	Q4R COIL-OVERS	AIR-SPRING SHOCKS	SHOCK HARDWARE
PRESET, SINGLE, DOUBLE ADJUSTABLE	4-WAY ADJUSTABLE	SINGLE ADJUSTABLE	GRADE 8 HEX HEAD
POLY OR COM-8 EYE	REMOTE RESERVOIR	DOUBLE ADJUSTABLE	STAINLESS SPUD FASTENERS
500 TO 750 LB/IN	RESERVOIR MOUNTS		

Steering



POWER RACK	TIE RODS
LEFT-HAND DRIVE (USA)	OEM STYLE
RIGHT-HAND DRIVE (AUS)	BUMP STEER KIT

Brakes

	11-3/4 X .81" 1-PIECE VENTED ROTOR AND HUB 4-PISTON CALIPER BLACK OR RED		13 X 1.00" VENTED IRON ROTOR BILLET-ALUMINUM HAT AND HUB 4-PISTON CALIPER		14 X 1.25" VENTED IRON ROTOR BILLET-ALUMINUM HAT AND HUB 6-PISTON CALIPER
--	--	--	---	--	---

gSTREET CHASSIS

gStreet Pro-Touring Chassis System

■ GSTREET FRONT SUSPENSION (7781)

Suspension Components



CONTROL ARMS	SPINDLES	ANTI-ROLL BARS	TOOLS
GSTREET STYLE	BILLET ALUMINUM	1-1/4" SPLINED BAR	SHOCK SIMULATORS
WIDE-TRACK GEOMETRY	UNIT-BEARING HUB	ADJUSTABLE RATE	
BLACK POWDER COAT FINISH	CENTER-LOCK OPTION	BEARING END LINKS	

Shock Absorbers



COIL-OVER SHOCKS	Q4R COIL-OVERS	AIR-SPRING SHOCKS	SHOCK HARDWARE
SINGLE ADJUSTABLE	4-WAY ADJUSTABLE	SINGLE ADJUSTABLE	GRADE 8 HEX HEAD
DOUBLE ADJUSTABLE	REMOTE RESERVOIR	DOUBLE ADJUSTABLE	STAINLESS SPUD FASTENERS
500 TO 750 LB/IN	RESERVOIR MOUNTS		

Steering



POWER RACK	TIE RODS
LEFT-HAND DRIVE (USA)	BUMP STEER KIT
RIGHT-HAND DRIVE (AUS)	

Brakes



14 X 1.25"
 VENTED IRON ROTOR
 BILLET-ALUMINUM HAT AND HUB
 6-PISTON CALIPER
 BLACK, RED, OR NICKEL CALIPER



15 X 1.25"
 VENTED IRON ROTOR
 BILLET-ALUMINUM HAT AND HUB
 6-PISTON CALIPER
 BLACK, RED, OR NICKEL CALIPER

gStreet Pro-Touring Chassis System

REAR SUSPENSIONS

We offer multiple styles of rear suspensions, allowing you to find the right tool for the job. While the IRS system can be somewhat a jack of all trades, the canted 4-link and torque arm suspensions may be a better fit for street-based or track-based performance respectively.



Rocker-Arm IRS System (Coil-Over or Air)

7793 **ROCKER-ARM-ACTUATED COIL-OVER SUSPENSION**

OPTIONS WHEEL BOLT PATTERN (5 X 4-1/2", 5 X 4-3/4", CENTER-LOCK SINGLE NUT CONNECTION)

RING AND PINION DROPOUT STYLE (FORD 9", STRANGE ST IRON, HD PRO ALUMINUM)

COIL-OVER VALVING (SINGLE-, DOUBLE-, 4-WAY ADJUSTABLE WITH PIGGYBACK RESERVOIR)

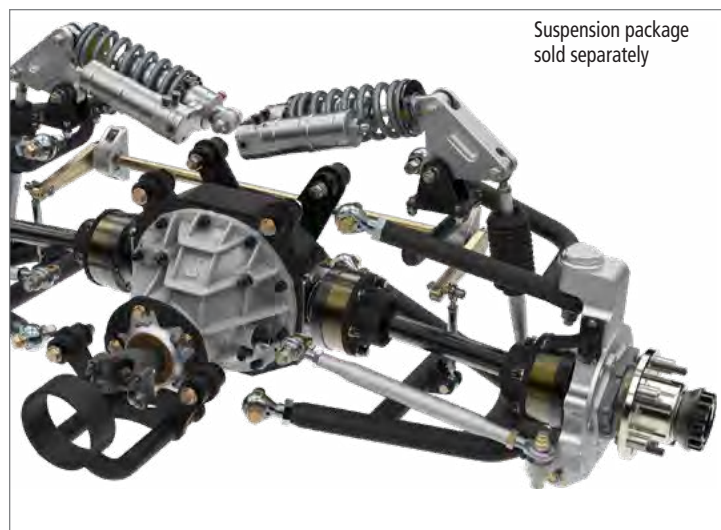
OPTIONS COIL-OVER SPRING RATE (450, 500, 550, 600 LB/IN)

AIR-SPRING VALVING (SINGLE-, DOUBLE-ADJUSTABLE)

14" OR 15" ROTORS, OPTIONAL PARKING BRAKE

ANTI-ROLL BAR; SPLINED-END, ADJUSTABLE RATE

DIFFERENTIAL STYLE (STRANGE S-TRAC HELICAL, TRUETRAC 35, DETROIT LOCKER)



Suspension package sold separately



Rocker-arm coil-over shock layout positions the shocks inside the trunk. Corner weighting is then performed via the pushrods.

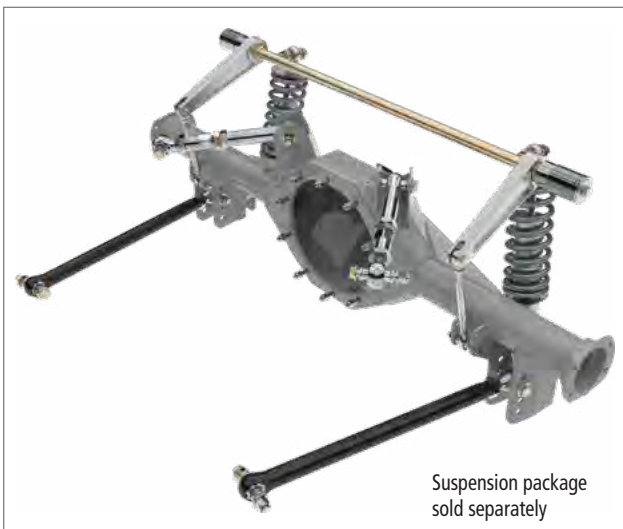
Control arm lengths were maximized for more consistent track width and consistent handling throughout travel.

gSTREET CHASSIS

gStreet Pro-Touring Chassis System

■ Canted 4-Link Rear Suspension - gStreet Chassis

7790	CANTED 4-LINK SUSPENSION	SPRINGS	110, 130, 150, 175, 200, 250
SHOCKS	SINGLE- OR DOUBLE-ADJUSTABLE COM-8 COIL-OVER SHOCKS	HOUSING	FAB9 DIRECT-FIT REAR END HOUSING
	4-WAY ADJUSTABLE COM-8 COIL-OVER SHOCKS, REMOTE RESERVOIR		WELD-ON AXLE BRACKETS FOR FORD 9"
	SINGLE- OR DOUBLE-ADJUSTABLE COM-8-EYE AIR-SPRING SHOCKS	BRAKES	12", 13", 14", 15"



Canted 4-Link suspension with FAB9 housing shown. Available with weld-on brackets if using OE housing.

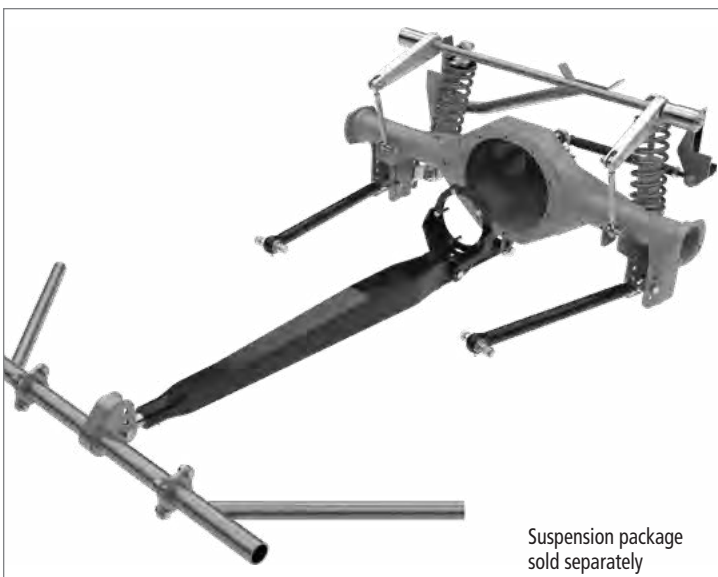


Complete rear clip system with builder wheel tubs. Floor system and tubs are trimmed to fit body during installation.

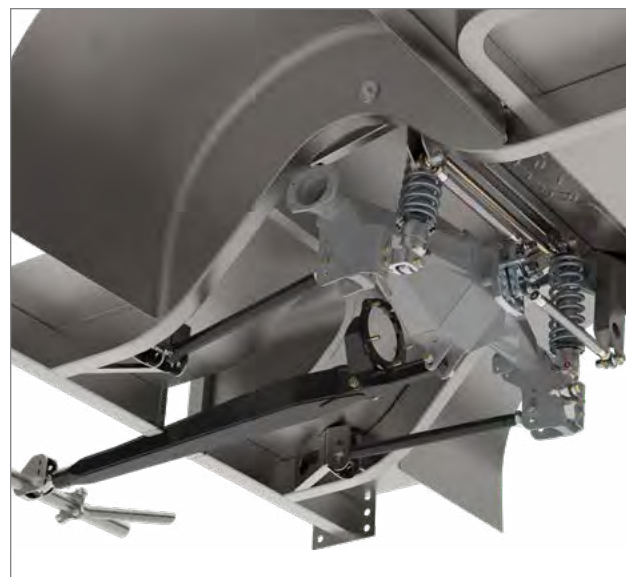
gSTREET CHASSIS

■ Torque Arm Rear Suspension - gStreet Chassis

7791	TORQUE ARM WITH WATTS LINK SUSPENSION	SPRINGS	110, 130, 150, 175, 200, 250
SHOCKS	SINGLE- OR DOUBLE-ADJUSTABLE COM-8 COIL-OVER SHOCKS	HOUSING	FAB9 DIRECT-FIT REAR END HOUSING
	4-WAY ADJUSTABLE COM-8 COIL-OVER SHOCKS, REMOTE RESERVOIR		WELD-ON AXLE BRACKETS FOR FORD 9"
	SINGLE- OR DOUBLE-ADJUSTABLE COM-8-EYE AIR-SPRING SHOCKS	BRAKES	12", 13", 14", 15"



Torque Arm suspension with FAB9 housing and tubular front crossmember; used for installation without subframe connectors.



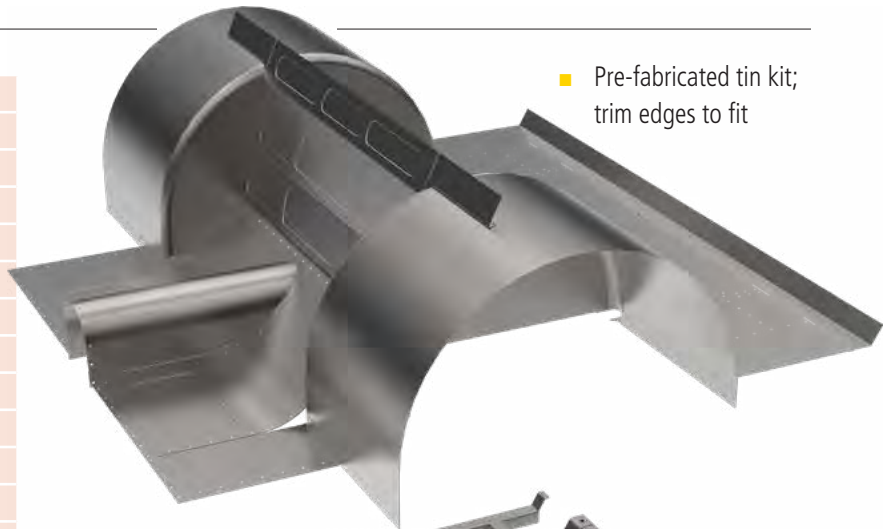
A Watts-link with roll-center height adjustment is used for superior lateral location and suspension tuning.

gStreet Canted 4-Link Frame Clip

Rear Frame Clip

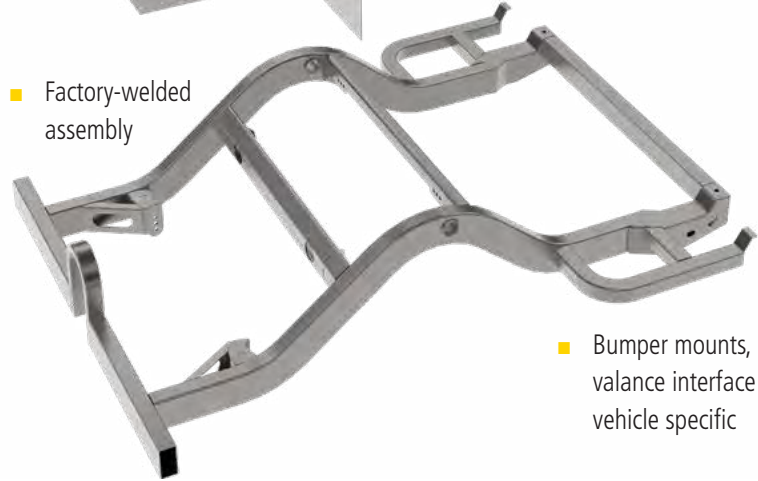
CAMARO	67-69	7720-F10	0, 1, 3, 4, 5, 7
	70-81	7720-F20	0, 1, 3, 4, 5, 7
CHEVELLE	64-67	7720-A10	0, 1, 4
	68-72	7720-A20	0, 1, 4
MUSTANG	65-70	7720-M10	0, 2, 5, 6
CUSTOM-FIT	-	7720-U01	5, 8

0	FLOOR KIT, TUBS (INCLUDED)
1	ROLL BAR, BOLT-IN BACK BRACE
2	ROLL BAR, BOLT-IN BACK BRACE, DOOR BARS
3	ROLL CAGE, BOLT-IN BACK BRACE
4	WELD-IN OR BOLT-IN DOOR BARS
5	SUBFRAME CONNECTORS
6	SUBFRAME CENTER SUPPORT, DRIVESHAFT LOOP
7	BOXED ROCKER SUPPORTS
8	FLOOR KIT, TUBS, TRUCK OUTRIGGERS



■ Pre-fabricated tin kit; trim edges to fit

■ Factory-welded assembly



■ Bumper mounts, valance interface vehicle specific



Suspension package sold separately

■ Camaro Subframe Connector - OPTION

Boxed Rocker Supports (shown) - Integrates with the factory outer rocker skin to create an improved multi-walled structure. Features access holes with cover plate for wiring or plumbing.

3x2" Connector (not shown) - Welds to face of frame crossmember, extending forward to meet factory or aftermarket subframe.



■ Mustang Subframe Connectors - OPTION

3x2" Connector - Welds to face of frame crossmember, extending forward to meet factory or aftermarket subframe.

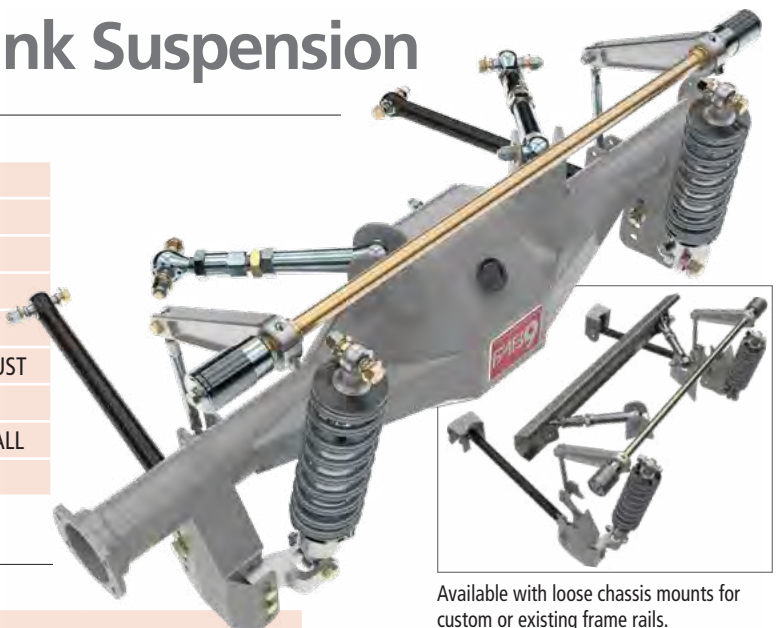
Connector Center Support - Bolts into 3x2" connector, creating triangulation across undercarriage. Features adjustable driveshaft safety loop.



gStreet Canted 4-Link Suspension

Suspension System

5852-U01	CANTED 4-LINK SUSPENSION SYSTEM
INCLUDES	BILLET SHOCK MOUNT, BALL-END SWAYBAR
OPTIONS	TUBULAR STEEL OR BILLET-ALUMINUM ARMS AXLE HOUSING MOUNTS AND WELD FIXTURE AIR-SPRINGS: SINGLE OR DOUBLE ADJUSTABLE COIL-OVERS: FIXED, SINGLE, DOUBLE, 4-WAY ADJUST SPRING RATE: 175, 200, 250 LB/IN CONTROL ARM CHASSIS MOUNTS; CUSTOM INSTALL
NOTE	FOR USE WITH FORD 9" REAR END ONLY



Available with loose chassis mounts for custom or existing frame rails.

FAB9™ Rear End Housings

CAMARO			
67-69	84F10-G01	MILD STEEL	LBFS
	84F10-G0B	MILD STEEL	PTF
	84F10-G11	4130	LBFS
	84F10-G1B	4130	PTF
70-81	84F20-G01	MILD STEEL	LBFS
	84F20-G0B	MILD STEEL	PTF
	84F20-G11	4130	LBFS
	84F20-G1B	4130	PTF

CHEVELLE			
64-67	84A10-G01	MILD STEEL	LBFS
	84A10-G0B	MILD STEEL	PTF
	84A10-G11	4130	LBFS
	84A10-G1B	4130	PTF
68-72	84A20-G01	MILD STEEL	LBFS
	84A20-G0B	MILD STEEL	PTF
	84A20-G11	4130	LBFS
	84A20-G1B	4130	PTF

MUSTANG			
65-70	84M10-G01	MILD STEEL	LBFS
	84M10-G0B	MILD STEEL	PTF
	84M10-G11	4130	LBFS
	84M10-G1B	4130	PTF
HOUSING END STYLE			
LBFS - LATE BIG-FORD SEALED			
PTF - PRO-TOURING FLOATER			

Control Arms



TUBULAR STEEL (SA)	TUBULAR STEEL (DA)	BILLET ALUMINUM
UPPER - SINGLE ADJUSTABLE	UPPER - DOUBLE ADJUSTABLE	UPPER - SINGLE ADJUSTABLE
LOWER - SINGLE ADJUSTABLE	LOWER - SINGLE ADJUSTABLE	LOWER - FIXED LENGTH

Shock Absorbers



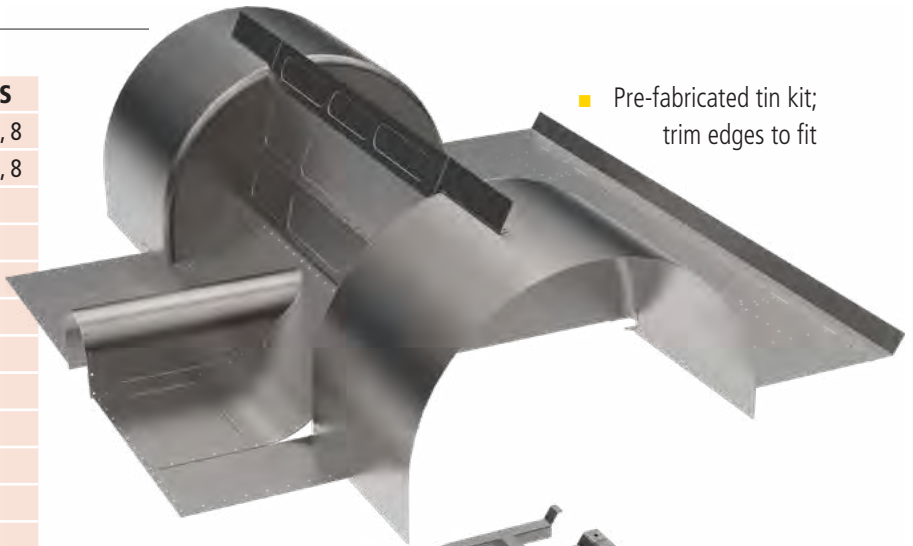
COIL-OVER SHOCKS	Q4R COIL-OVERS	AIR-SPRING SHOCKS	SHOCK HARDWARE
FACTORY-VALVED POLY-EYE	4-WAY ADJUST COM-8 EYE	SINGLE ADJUST COM-8	GRADE 8 HEX HEAD
SINGLE- OR DOUBLE-ADJUST COM-8	REMOTE RESERVOIR MOUNT	DOUBLE ADJUST COM-8	STAINLESS SPUD FASTENERS
SPRINGS: 175, 200, 250 LB/IN	SPRINGS: 200 LB/IN		

9 STREET CHASSIS

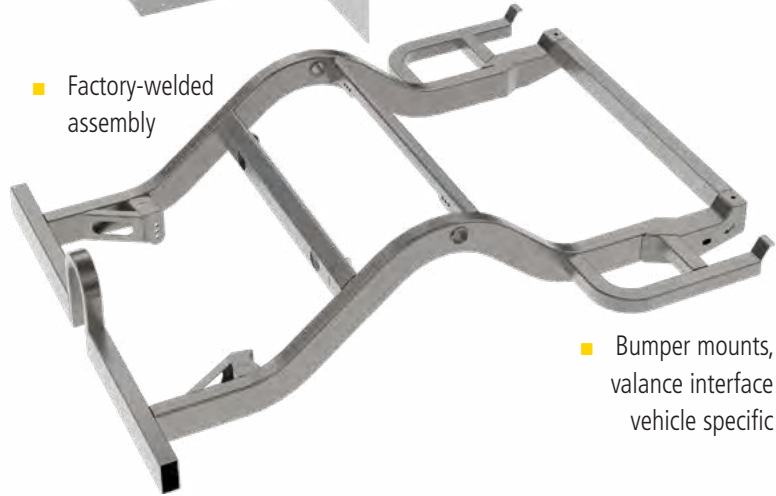
gStreet Torque Arm Frame Clip

Rear Frame Clip

MODEL	YEAR	ITEM	OPTIONS
CAMARO	67-69	7721-F10	1, 3, 4, 5, 7, 8
	70-81	7721-F20	1, 3, 4, 5, 7, 8
CHEVELLE	64-67	7721-A10	1, 4, 8
	68-72	7721-A20	1, 4, 8
MUSTANG	65-70	7721-M10	2, 5, 6, 8
CUSTOM-FIT	-	7721-U01	5, 8, 9
0	FLOOR KIT, TUBS (INCLUDED)		
1	ROLL BAR WITH BOLT-IN BACK BRACE		
2	ROLL BAR, BOLT-IN BACK BRACE, DOOR BARS		
3	ROLL CAGE WITH BOLT-IN BACK BRACE		
4	WELD-IN OR BOLT-IN DOOR BARS		
5	SUBFRAME CONNECTORS		
6	CENTER SUPPORT, DRIVESHAFT LOOP		
7	BOXED ROCKER SUPPORTS		
8	TORQUE-ARM FRONT CROSSMEMBER		
9	FLOOR KIT, TUBS, TRUCK OUTRIGGERS		

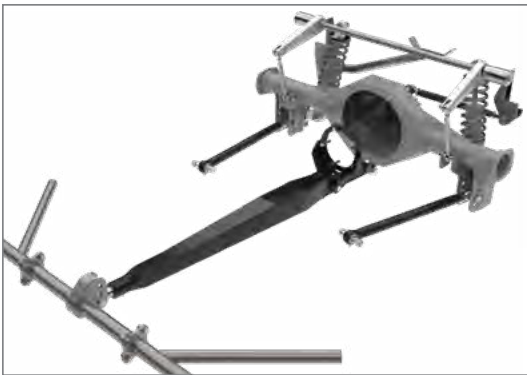


■ Pre-fabricated tin kit; trim edges to fit



■ Factory-welded assembly

■ Bumper mounts, valance interface vehicle specific



Suspension package sold separately

■ Camaro Subframe Connector - OPTION

Boxed Rocker Supports (shown) - Integrates with the factory outer rocker skin to create an improved multi-walled structure. Features access holes with cover plate for wiring or plumbing.

3x2" Connector (not shown) - Welds to face of frame crossmember, extending forward to meet factory or aftermarket subframe.

■ Mustang Subframe Connectors - OPTION

3x2" Connector - Welds to face of frame crossmember, extending forward to meet factory or aftermarket subframe.

Connector Center Support - Bolts into 3x2" connector, creating triangulation across undercarriage. Features adjustable driveshaft safety loop.



gStreet Torque Arm Suspension

Suspension System

5857-U05	TORQUE ARM SUSPENSION WITH WATTS LINK
INCLUDES	BILLET SHOCK MOUNT, WATTS LINK
OPTIONS	
	TORQUE ARM LENGTH: 46", 49", 56" (BARE METAL)
	SLIDING LINK: BUSHING, PIVOT-BALL
	PINION MOUNT: FORD 9", STRANGE ST IRON
	MOUNTS FOR NON-FAB9 HOUSINGS
	TUBULAR STEEL OR BILLET-ALUMINUM ARMS
	AIR-SPRINGS: SINGLE OR DOUBLE ADJUSTABLE
	COIL-OVERS: SINGLE, DOUBLE, 4-WAY ADJUST
	SPRING RATE: 175, 200, 250 LB/IN
	SPLINED-END TUBULAR ANTI-ROLL BAR
NOTE	FOR USE WITH FORD 9" ONLY



FAB9™ Rear End Housings

CAMARO			
67-69	84F10-H01	MILD STEEL	LBFS
	84F10-H0B	MILD STEEL	PTF
	84F10-H11	4130	LBFS
	84F10-H1B	4130	PTF
70-81	84F20-H01	MILD STEEL	LBFS
	84F20-H0B	MILD STEEL	PTF
	84F20-H11	4130	LBFS
	84F20-H1B	4130	PTF

CHEVELLE			
64-67	84A10-H01	MILD STEEL	LBFS
	84A10-H0B	MILD STEEL	PTF
	84A10-H11	4130	LBFS
	84A10-H1B	4130	PTF
	84A20-H01	MILD STEEL	LBFS
68-72	84A20-H0B	MILD STEEL	PTF
	84A20-H11	4130	LBFS
	84A20-H1B	4130	PTF

MUSTANG			
65-70	84M10-H01	MILD STEEL	LBFS
	84M10-H0B	MILD STEEL	PTF
	84M10-H11	4130	LBFS
	84M10-H1B	4130	PTF
	HOUSING END STYLE		
LBFS - LATE BIG-FORD SEALED			
PTF - PRO-TOURING FLOATER			

Control Arms



TUBULAR STEEL

LOWER - SINGLE ADJUSTABLE

BILLET ALUMINUM

LOWER - SINGLE ADJUSTABLE

Anti-Roll Bar



Shock Absorbers



COIL-OVER SHOCKS

SINGLE OR DOUBLE ADJUST COM-8
SPRINGS: 175, 200 LB/IN

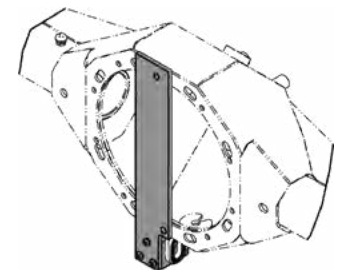
Q4R COIL-OVERS

4-WAY ADJUST COM-8 EYE
SPRINGS: 200, 250 LB/IN

AIR-SPRING SHOCKS

SINGLE ADJUST COM-8
DOUBLE ADJUST COM-8

Fixture, Mounts



FORD 9" INSTALLATION

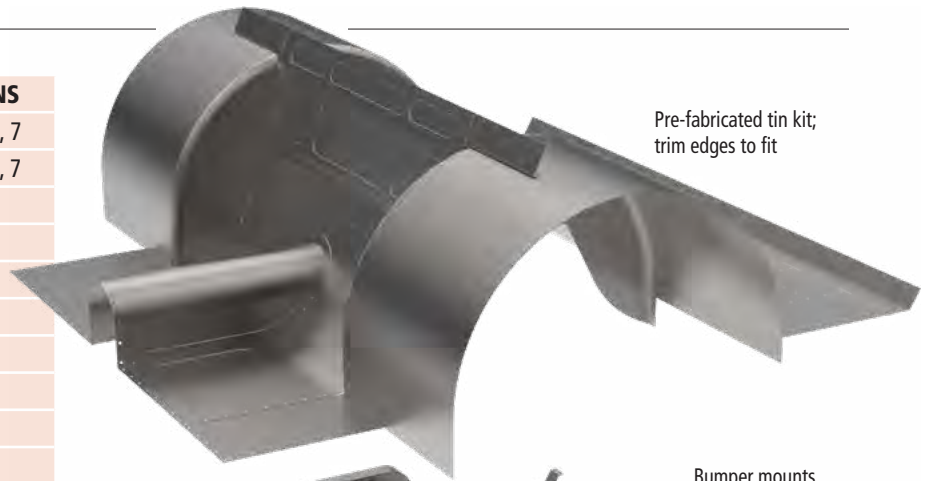
ARM MOUNT FIXTURE (SHOWN)
TORQUE ARM MOUNT TABS
LOWER CONTROL ARM MOUNTS

gStreet Independent Rear (IRS) Frame Clip

Rear Frame Clip

MODEL	YEAR	ITEM	OPTIONS
CAMARO	67-69	7723-F10	0, 1, 3, 4, 5, 7
	70-81	7723-F20	0, 1, 3, 4, 5, 7
CHEVELLE	64-67	7723-A10	0, 1, 4
	68-72	7723-A20	0, 1, 4
MUSTANG	65-70	7723-M10	0, 2, 5, 6
CUSTOM-FIT	-	7723-U01	5, 8

- 0 FLOOR KIT, TUBS (INCLUDED)
- 1 ROLL BAR WITH BOLT-IN BACK BRACE
- 2 ROLL BAR, BOLT-IN BACK BRACE, DOOR BARS
- 3 ROLL CAGE (THRU-DASH), BOLT-IN BACK BRACE
- 4 WELD-IN OR BOLT-IN DOOR BARS
- 5 SUBFRAME CONNECTORS
- 6 SUBFRAME CENTER SUPPORT, DRIVESHAFT LOOP
- 7 BOXED ROCKER SUPPORTS
- 8 FLOOR KIT, TUBS, TRUCK OUTRIGGERS



Pre-fabricated tin kit; trim edges to fit

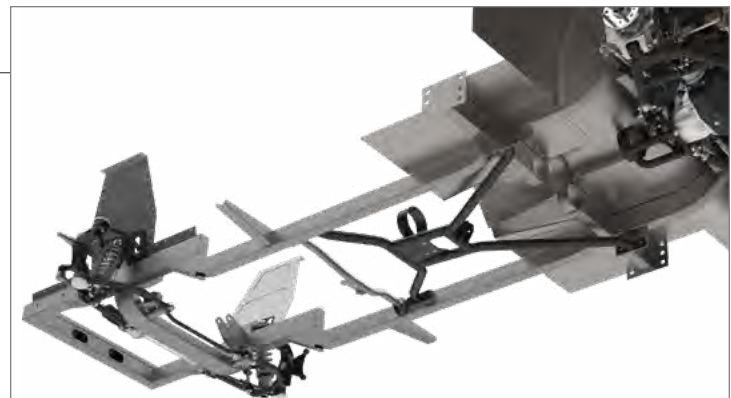


Factory-welded assembly

Bumper mounts, valance interface vehicle specific



Suspension package sold separately



Camaro Subframe Connector - OPTION

Boxed Rocker Supports (shown) - Integrates with the factory outer rocker skin to create an improved multi-walled structure. Features access holes with cover plate for wiring or plumbing.

3x2" Connector (not shown) - Welds to face of frame crossmember, extending forward to meet factory or aftermarket subframe.

Mustang Subframe Connectors - OPTION

3x2" Connector - Welds to face of frame crossmember, extending forward to meet factory or aftermarket subframe.

Connector Center Support - Bolts into 3x2" connector, creating triangulation across undercarriage. Features adjustable driveshaft safety loop.

gStreet Independent Rear Suspension (IRS)

■ Rear Suspension

5867	ROCKER-ARM-ACTUATED COIL-OVER SUSPENSION
INCLUDES	UPPER & LOWER ARMS, TOE LINKS, ROCKER, PUSHROD
OPTIONS	WHEEL STUDS (1/2-20): 5X4-1/2, 5X4-3/4" CENTER-LOCK (FORGELINE): LONG, SHORT PINION SUPPORT: FORD 9", STRANGE ST IRON, STRANGE PRO-ALUMINUM COIL-OVERS: SINGLE, DOUBLE, 4-WAY ADJUSTABLE COIL SPRINGS: 450, 500, 550, 600 LB/IN AIR-SPRINGS: SINGLE, DOUBLE ADJUSTABLE BRAKES: 14 OR 15" WITH PARKING BRAKE ANTI-ROLL BAR: SPLINED-END ADJUSTABLE DIFFERENTIAL: STRANGE S-TRAC 35-SPLINE

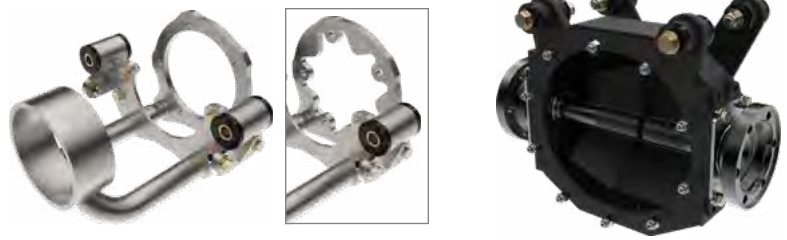


Unit-Bearing Uprights



WHEEL STUDS	CENTER-LOCK
5 ON 4-1/2"	SHORT FORGELINE
5 ON 4-3/4"	LONG FORGELINE

Third-Member Specific



PINION SUPPORT	OUTPUT SHAFTS
FORD 9", STRANGE ST IRON STRANGE PRO-ALUMINUM	SHAFTS SPECIFIC TO DIFFERENTIAL TYPE STRANGE S-TRAC 35-SPLINE

Shock Absorbers



COIL-OVER SHOCKS	Q4R COIL-OVERS	AIR-SPRING SHOCKS
SINGLE-, DOUBLE-ADJUSTABLE 450, 500, 550, 600 LB/IN	4-WAY ADJUST, PIGGYBACK 450, 500, 550, 600 LB/IN	SINGLE ADJUSTABLE DOUBLE ADJUSTABLE

Anti-Roll Bar



SPLINE-CONNECT BAR-TO-ARM
POLYMER BUSHINGS ADJUSTABLE BAR RATE

Brakes



WHEEL STUD OR CENTER-LOCK HAT 14" OR 15 X 1.25" DRILLED ROTORS	WILWOOD AERO 4-PISTON CALIPERS INTERNAL DRUM-STYLE PARKING BRAKE
---	---

CV Half Shafts



35-SPLINE 1-1/2" OD 4340 ALLOY SHAFTS; 1,500+ HP VEHICLE SPECIFIC HUB WIDTHS: 54, 56, 58, 60"
--

gStreet Exact-Fit Roll Cage

NEW PRODUCT

High-clearance cage sides, windshield brace, and rear struts makes our Exact-Fit roll cage an excellent choice for pro-touring performance applications to add a level of protection and increase chassis rigidity. Cages are mandrel bent in a variety of steel tubing types, including 1-5/8 x .134" mild-steel, 1-5/8 x .083" 4130, 1-3/4 x .134" mild-steel, and SCCA-compliant 1-3/4 x .125" DOM. The removable back brace with billet clevis ends comes standard. Door bars are included and can be installed at a 'street style', hip-height position for easier entry and exit from the vehicle, or positioned at a higher 'race style' position for increased driver protection. Optionally available hardware permits removal of door bars when greater access is required. Spring-loaded faspins are standard removable bar hardware, with push-button L-handle locking pins and polished-stainless spud bolts offered as an upgrade option.



Standard Faspins



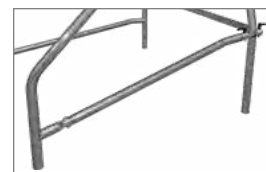
Polished Spud Bolt



Quick-Release L-Handle Pins



Street - hip-height bar



Race - Arm-height bar

Exact-Fit Roll Cages

MODEL	YEAR	ITEM	DESCRIPTION
CHEVELLE	68-72	7053-A20	1-5/8 X .083", 4130 STEEL
CAMARO / FIREBIRD	67-69	7052-F10	1-5/8 X .134", ERW MILD STEEL
		7053-F10	1-5/8 X .083", 4130 STEEL
		7054-F10	1-3/4 X .134", ERW MILD STEEL
		7055-F10	1-3/4 X .125", DOM MILD STEEL
	70-81	7052-F20	1-5/8 X .134", ERW MILD STEEL
		7053-F20	1-5/8 X .083", 4130 STEEL
		7054-F20	1-3/4 X .134", ERW MILD STEEL
		7055-F20	1-3/4 X .125", DOM MILD STEEL
MUSTANG (COUPE)	65-70	7052-M10-C	1-5/8 X .134", ERW MILD STEEL
		7054-M10-C	1-3/4 X .134", ERW MILD STEEL
		7055-M10-C	1-3/4 X .125", DOM MILD STEEL
MUSTANG (FASTBACK)	65-70	7052-M10-F	1-5/8 X .134", ERW MILD STEEL
		7054-M10-F	1-3/4 X .134", ERW MILD STEEL
		7055-M10-F	1-3/4 X .125", DOM MILD STEEL

OPTIONS - Exact-Fit Roll Cages

CAGE SIDE	IN FRONT OF DASHBOARD
	THROUGH DASHBOARD
SIDE BAR	WELD-IN SIDE BARS
	REMOVABLE SIDE BARS SWINGOUT
	REMOVABLE SIDE BARS, QUICK LOCK L-HANDLE
	REMOVABLE SIDE BARS WITH STAINLESS SPUDS
REAR STRUT	ATTACHES TO GSTREET FRAME
	ATTACHES TO OEM TRUNK FLOOR
	ATTACHES TO DSE 4-LINK COIL-OVER CROSSMEMBER
BACK BRACE	STANDARD BOLT-IN ATTACHMENT
	PUSH BUTTON QUICK LOCK L-HANDLE
	STAINLESS SPUDS

Camaro Front Struts

Adding tubular struts between the factory upper firewall area and subframe triangulates the front clip, virtually eliminating chassis deflection forward of the firewall.

7060-F1-A	'67-69 CAMARO - FRONT SUPPORT STRUTS, 4130, 1-5/8 X .083"
7060-F1-M	'67-69 CAMARO - FRONT SUPPORT STRUTS, MILD STEEL, 1-5/8 X .134"
7060-F2-A	'70-81 CAMARO - FRONT SUPPORT STRUTS, 4130, 1-5/8 X .083"
7060-F2-M	'70-81 CAMARO - FRONT SUPPORT STRUTS, MILD STEEL, 1-5/8 X .134"
5918-126	SPUD MOUNTING HARDWARE, POLISHED STAINLESS



Optional hardware

gStreet Exact-Fit Roll Bar

NEW PRODUCT

Featuring 1-3/4 x .134", mild-steel construction and high-clearance rear struts, our Exact-Fit roll bar is an excellent street-car-friendly choice. A removable back brace is included for easier access to the rear seat area. The low hip-height, weld-in side bars allow easy access as well as increase rigidity of the Camaro unibody structure. Optionally available hardware permits easy removal of the side bars. Removable hardware options include: spring-loaded faspins, quick-release ball-lock L-handle pins, or polished stainless-steel spud bolts.



9 STREET CHASSIS

gStreet Exact-Fit Roll Bar (no side bars)

CAMARO / FIREBIRD	67-69	7050-F10
	70-81	7050-F20
MUSTANG (COUPE)	65-70	7050-M10-C
MUSTANG (FASTBACK)	65-70	7050-M10-F
INCLUDES	MILD STEEL, 1-3/4 X .134" -WALL MAIN HOOP, BACK BRACE, REAR STRUTS, AND FLOOR PLATES	
REMOVABLE BACK-BRACE OPTIONS	STANDARD HEX BOLT HARDWARE	
	PUSH BUTTON L-HANDLE HARDWARE	
	POLISHED STAINLESS SPUD HARDWARE	
REAR STRUT ATTACHMENT OPTIONS	FOR GSTREET FRAME	
	FOR OEM TRUNK FLOOR	
	FOR DSE 4-LINK SHOCK CROSSMEMBER	

gStreet Exact-Fit Roll Bar with Side Bars

CHEVELLE	64-67	7051-A10
	68-72	7051-A20
CAMARO / FIREBIRD	67-69	7051-F10
	70-81	7051-F20
MUSTANG (FASTBACK)	65-70	7050-M10-F
INCLUDES	MILD STEEL, 1-3/4 X .134" -WALL MAIN HOOP, SIDE BARS, BACK BRACE, REAR STRUTS, AND FLOOR PLATES	
SIDE BAR OPTIONS	WELD-IN SIDE BARS, NON-REMOVABLE	
	BOLT-IN, REMOVABLE BARS	
	PUSH BUTTON L-HANDLE, REMOVABLE BARS	
	POLISHED STAINLESS SPUD, REMOVABLE BARS	
REMOVABLE BACK-BRACE OPTIONS	STANDARD HEX BOLT HARDWARE	
	PUSH BUTTON L-HANDLE HARDWARE	
	POLISHED STAINLESS SPUD HARDWARE	
REAR STRUT ATTACHMENT OPTIONS	FOR GSTREET FRAME	
	FOR OEM TRUNK FLOOR	
	FOR DSE 4-LINK SHOCK CROSSMEMBER	

Removable Hardware Upgrades



Quick-Release L-Handle Pin
Push-button ball-lock pin available for quick removal of door bar and back brace.



Polished Spud Bolt
Stainless-steel male and female custom fasteners with no snag beveled head.



Gemini Connector - OPTION

The optional removable side bar system uses our in-house-engineered Gemini connector to securely fasten the door bar strut to the subframe with no decrease in available room for the driver's feet. The Gemini connector is an easy-to-assemble, precision slip-fit joint that is substantially stronger than a welded joint.

gStreet Pro-Touring Chassis System

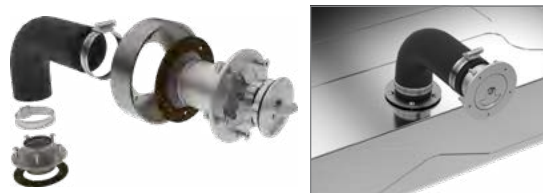
NEW PRODUCT

Fuel Tank System for gStreet Chassis and Rear Clips

CAMARO (F10, F20)	67-81	5921-F10-343	FUEL TANK ONLY, -10 SUPPLY, 17-GAL
		5921-F10-MT	CHASSIS MOUNTS AND TANK STRAPS
MUSTANG (M10)	65-70	5921-M10-353	FUEL TANK ONLY, -10 SUPPLY, 17-GAL
		5921-M10-MT	CHASSIS MOUNTS AND TANK STRAPS
NOTES	FUEL TANK CAN BE CONFIGURED FOR TRUNK FILL OR REMOTE FILL CHASSIS MOUNTS, FILL KIT AND VENT REQUIRED FOR INSTALL		



5921-U00-FD DIRECT-FILL CAP FOR GSTREET FUEL TANK (IN-TRUNK FILLING). INCLUDES HARDWARE AND GASKET.



5921-U01-FR REMOTE-FILL KIT FOR GSTREET FUEL TANK (TAIL LAMP PANEL FILLING). INCLUDES FUEL CAP, GASKET, RECESSED WELD-IN MOUNT, HOSE, TANK ADAPTER AND HARDWARE.



3241-SN35T06 TUBE SENDING UNIT FOR GSTREET FUEL TANK, 240-33 OHM, 6" LENGTH

Engine Mounts for gStreet Chassis



CHEVROLET			
ENGINE	ITEM	BUILD	OFFSET
LS SERIES	5917-LSF-1	ALUMINUM	FORWARD
	5917-LSR-1	ALUMINUM	REAR
	5917-LSA-S	STEEL	ADJUSTABLE
LT4 (GEN-5)	5917-LT4-S	STEEL	REAR
SB, BB, V6	5917-CV8-1	ALUMINUM	STANDARD
	5917-CV8-S	STEEL	STANDARD

PONTIAC			
ENGINE	ITEM	BUILD	OFFSET
V8 ('70-77)	5917-PV8	STEEL	STANDARD

FORD			
ENGINE	ITEM	BUILD	OFFSET
FE (390, 427, 428)	TCP MM-C2S	STEEL	STANDARD
MOD, COYOTE	TCP MM-C3S	STEEL	STANDARD
SB (260, 289, 302)	TCP MM-C1S	STEEL	STANDARD
SB (260, 289, 302)	TCP MM-C4S	STEEL	ADJUSTABLE
SB (351W, 351C)	TCP MM-C5S	STEEL	ADJUSTABLE

gSTREET CHASSIS

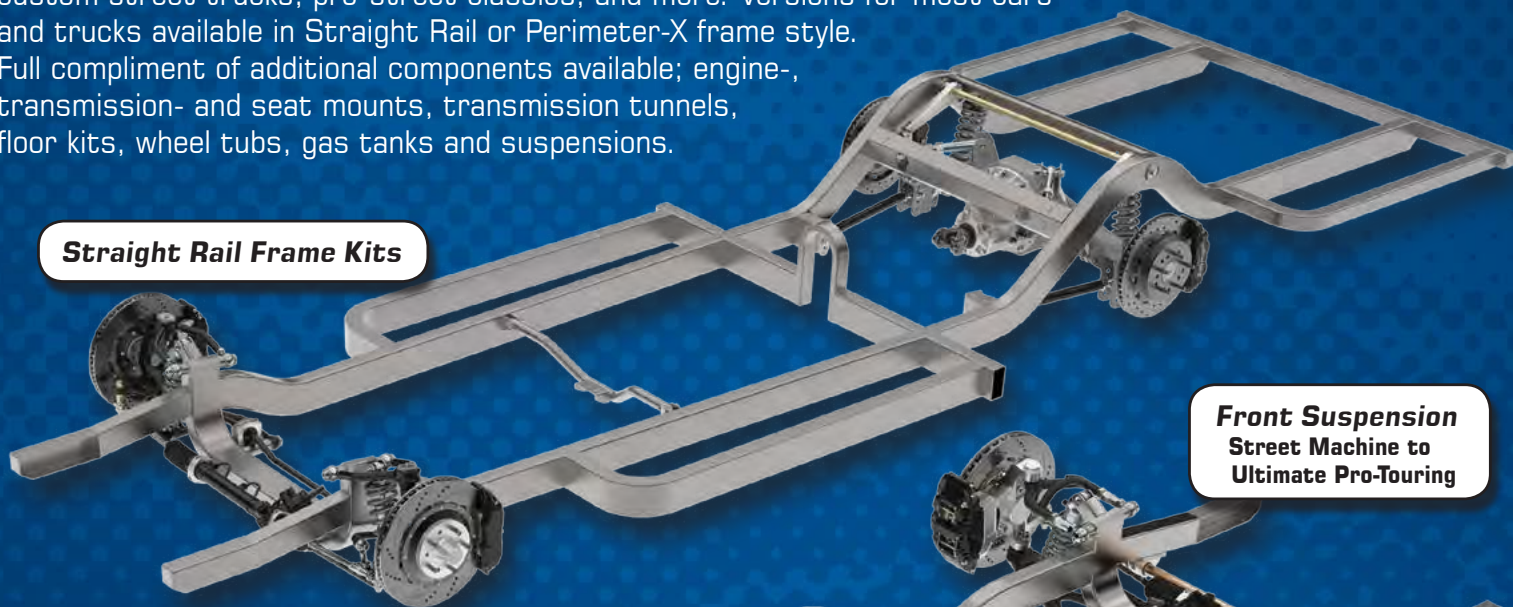
The Perfect Solution...

...for enviable builds of unique vehicles

The Custom-Fit Builder Frame System from Chris Alston's Chassisworks is an extremely versatile engineering and construction approach. This technique enables Chassisworks to expertly prepare a sub-assembled kit or complete factory-welded frame, configured precisely to your build requirements. Front hub-to-hub width, ground clearance, wheelbase, and rear frame width can each be varied independently to create a correct fitting frame and vehicle stance for projects including g-machine/pro-touring muscle cars, street rods, custom street trucks, pro-street classics, and more. Versions for most cars and trucks available in Straight Rail or Perimeter-X frame style.

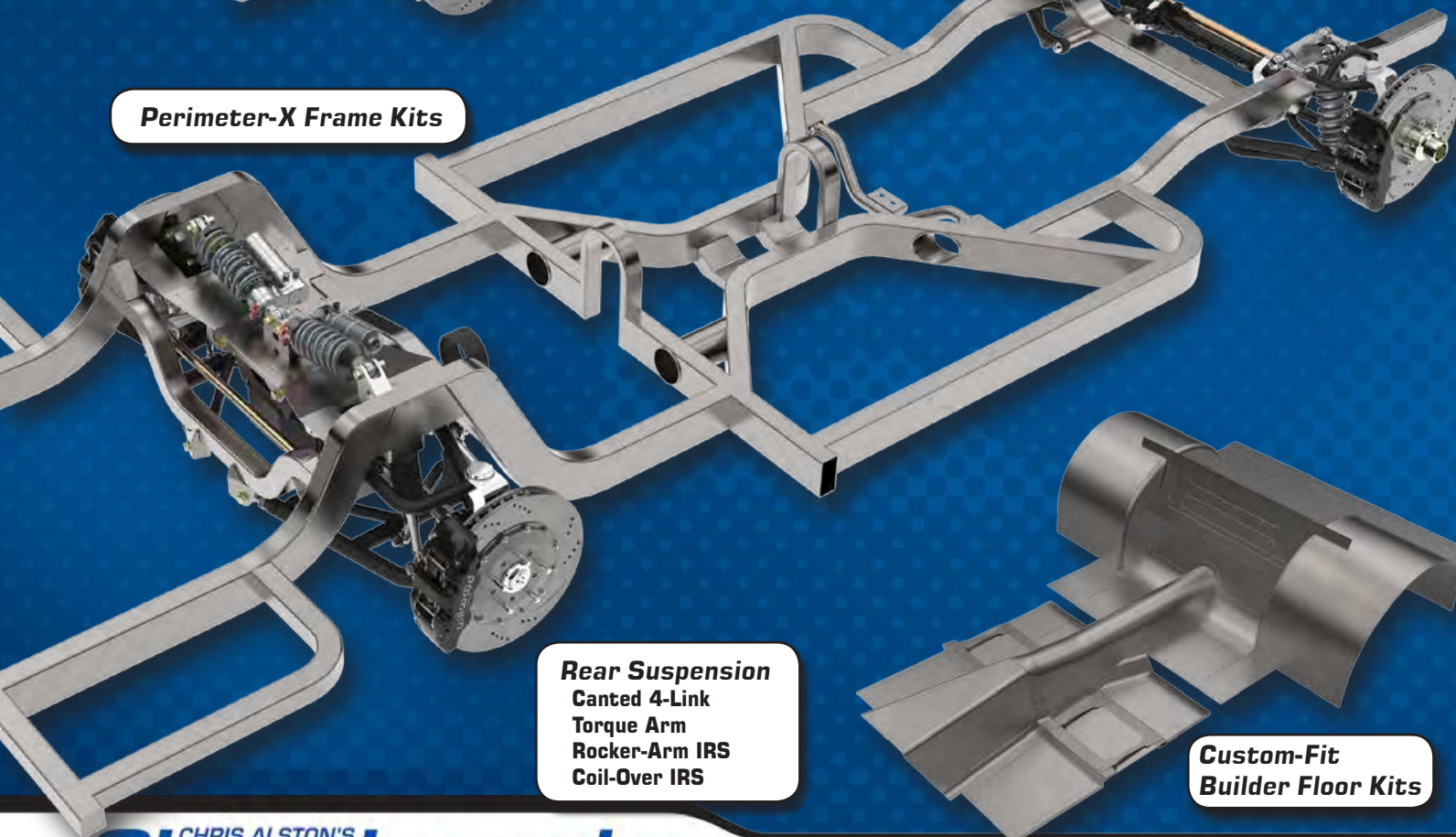
Full compliment of additional components available; engine-, transmission- and seat mounts, transmission tunnels, floor kits, wheel tubs, gas tanks and suspensions.

Straight Rail Frame Kits



Front Suspension
Street Machine to
Ultimate Pro-Touring

Perimeter-X Frame Kits



Rear Suspension
Canted 4-Link
Torque Arm
Rocker-Arm IRS
Coil-Over IRS

**Custom-Fit
Builder Floor Kits**

CHRIS ALSTON'S
Chassisworks
CUSTOM FIT

...MUCH MORE THAN JUST PRO-TOURING



Bolt-On g-Machine Subframe System

Chassisworks' g-Machine subframe is a direct-fit, high-performance suspension solution. The system features our versatile double A-arm, rack-and-pinion crossmember and broad selection of supporting suspension components and accessories. Its direct bolt-on design enables a time-saving, straight-forward installation that requires absolutely no custom fabrication. Mounting provisions for all major vehicle system components are integrated, as well as mounts for optional subframe-connector system. Optional mounts for motor-plate or mid-plate may be added for vehicles requiring maximum chassis stiffness.

- Engine swap, power adder room
- Improved strength and rigidity
- Direct-fit, simple installation
- Five different suspensions
- Right- and left-hand drive

■ Chevrolet Nova (Chevy II)



MAKE	MODEL	YEAR	SUBFRAME
CHEVY	NOVA	62-65	7700
		66-67	7700
PONTIAC	ACADIAN	62-65	7700
		66-67	7700
NOTES		SUSPENSION SOLD SEPARATELY CLIPS ARE PAINTABLE BARE METAL	



BOLT-ON CLIPS

■ GM F- and X-Body

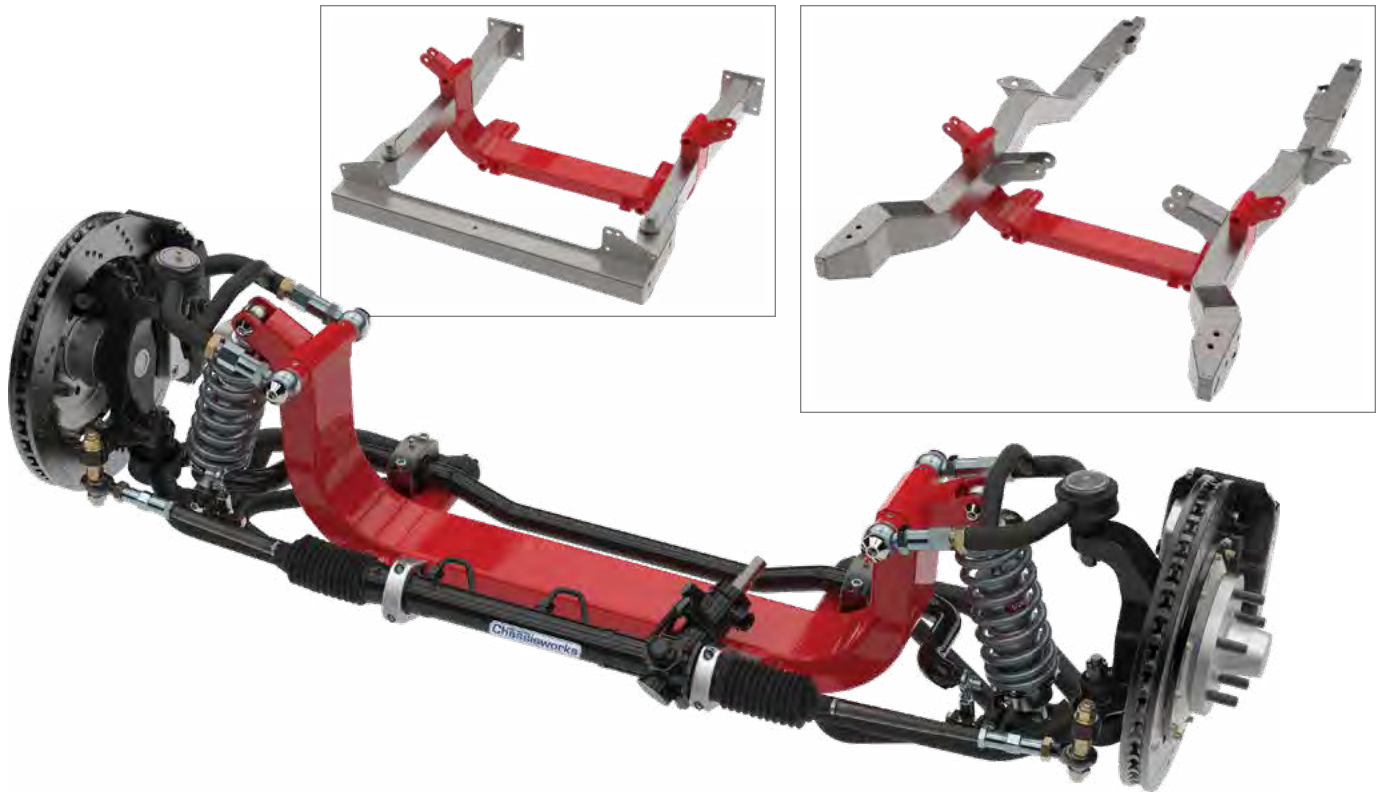


MAKE	MODEL	YEAR	SUBFRAME
CHEVY	CAMARO	67-69	7701
		70-73	7703
		74-81	7704
	NOVA	68-72	7701
PONTIAC	FIREBIRD	67-69	7701
		70-73	7703
		74-81	7704
NOTES		SUSPENSION SOLD SEPARATELY CLIPS ARE PAINTABLE BARE METAL	



Bolt-On g-Machine Subframe System

■ COMMON CROSSMEMBER PLATFORM



BOLT-ON CLIPS

■ 4 x 2" Crossmember

Bent-tube, billet-component crossmembers are a completely closed, rigid structure with greater strength and resistance to bending and twisting than other designs. Formed from a single piece of 4 x 2 x .120" steel tubing, large-radius mandrel bends are placed at each end to distribute loads throughout the crossmember, eliminating fatigue points at critical areas. Slots for the billet-mount tabs are machined in a horizontal machining center with dedicated fixturing to guarantee correct component geometry that ensures the suspension moves as designed.

■ Interlocking Slots and Tabs

Self-fixturing female slots used with machined male tabs provide an interlocking assembly method that enables A-arm, rack and pinion, and shock mounts to be accurately positioned in all axes. This guarantees the suspension will perform as designed. Non-interlocking designs are not nearly as accurate after welding. Our superior spray-arc welding process produces the best weld penetration with excellent appearance.



Locating features are machined into each crossmember to enable self-positioning of billet components.



Billet rack-and-pinion mount bases insert into the machined crossmember slot.

Bolt-On g-Machine Subframe System

CHEVY II SPECIFIC COMPONENTS

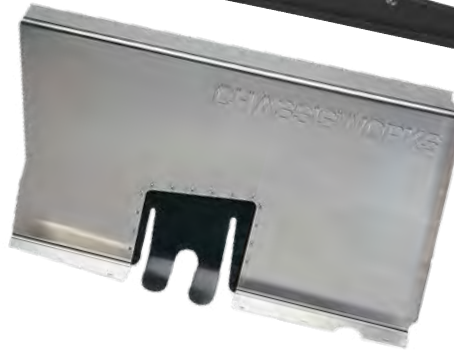


Fender Supports with Hood-Hinge Mounts

- Integrated hood-hinge mounts
- Laser-cut steel; nearly twice OEM thickness
- Multiple bends using fully automated fabrication press
- Curved top flange does not distort the fender
- Spray-arc welded and ground seams
- Bare steel finish

Aluminum Inner Fender Panels

- Bolts to g-Machine subframe, fender support and factory core-support
- Available blank or with Chassisworks embossed text
- Rubber splash flaps with stainless-steel hardware available
- Ships with protective PVC-film coating



CHEVY II	62-65	UPPER FENDER SUPPORTS WITH HINGE MOUNTS	6650
		INNER FENDER PANELS, CHASSISWORKS EMBOSSED	6651
		INNER FENDER PANELS, BLANK	6654
	66-67	UPPER FENDER SUPPORTS WITH HINGE MOUNTS	6652
		INNER FENDER PANELS, CHASSISWORKS EMBOSSED	6653
		INNER FENDER PANELS, BLANK	6655
NOTE	FENDER SUPPORTS AND PANELS SHIP IN PAIRS		

STEERING-SHAFT KITS AND COMPONENTS (COMMON)

COLUMN	RACK	ITEM	COLUMN	RACK	ITEM		
AFTERMARKET	3/4"-36	3/4"-36	CHEVY II	62-66	3/4"-36		
		16.8MM-DD			6184		
	1-DD	3/4"-36			9/16"-26	6184-OM	
	1-48	16.8MM-DD		6144-1-DD	16.8MM-DD	6184-PS	
		3/4"-36		6144-1-48	67	3/4"-36	6185
	16.8MM-DD	6146-1-DD		9/16"-26		6185-OM	
CAMARO / FIREBIRD	67-81	3/4"-36	6188	16.8MM-DD	6185-PS		
		16.8MM-DD	6188-PS	NOVA	68-72	3/4"-36	6188
		3/4"-36 (ISO)	6189			16.8MM-DD	6188-PS
					3/4"-36 (ISO)	6189	



Camaro/Nova (F-, X-Body)

- Rag-joint flange adapter U-joint
- Collapsible intermediate shaft
- **6188** - with standard U-joint
- **6189** - with vibration U-joint



Chevy II

- 6184-XX
 - Upper column shaft
 - Upper U-joint
 - Intermediate shaft
 - Self-lubricating shaft bushing
 - Firewall column mount
 - Lower U-joint



6185-XX

- Column shaft adapter
- Upper U-joint
- Intermediate shaft
- Lower U-joint

6330

- **Column Mount**
- 2" to 2-1/2" ID



Bolt-On g-Machine Subframe System

VEHICLE-SPECIFIC COMPONENTS (F- AND X-BODY)



Transmission Crossmembers and Accessories



ESP 3.1108G GM-STYLE URETHANE TRANSMISSION MOUNT



5916-F10-11 OEM-CLIP ADAPTERS FOR V8

5916-F10-12 OEM-CLIP ADAPTERS FOR LS

TRANSMISSION	*	DISTANCE TO BLOCK	CAMARO / FIREBIRD		NOVA
			67-69	70-81	68-74
4-SPEED / POWERGLIDE / TURBO 350	-	20.53"	5916-F10-01	5916-F20-01	5916-F10-01
700R4/TREMEC/RICHMOND 5-SPD/4L60	-	22.30"	5916-F10-02	5916-F20-02	5916-F10-02
RICHMOND 6-SPEED ROD	-	24.38"	5916-F10-04	5916-F20-04	5916-F10-04
TREMEC AFTERMARKET T-56 MAGNUM	1	26.60"	5916-F10-05 ³	5916-F20-05	5916-F10-05
TURBO 400 / 200-4R / 4L65E	2	26.85"	5916-F10-03	5916-F20-03	5916-F10-03
4L80E/4L85E CHEVROLET AUTOMATIC	-	30.36"	5916-F10-06	5916-F20-06	5916-F10-06

- * 1 - TREMEC TUET11009 AND TUET11012
- 2 - 4L65E FOR USE WITH LS-SERIES ENGINE ONLY. MOUNTS IN REARMOST SUBFRAME HOLES.
- 3 - LOWERS TRANSMISSION 1" TO CLEAR OEM TUNNEL. INCLUDED SPACER CORRECTS TRANSMISSION ANGLE. REQUIRES TUNNEL CAP (5922-F10).



5922-F10 HIGH-CLEARANCE TUNNEL CAP

NOTE USE WITH 5916-F10-05 WITH INCLUDED SPACER

Subframe Body Bushings



Urethane - Performance street cars with benefit of dampened noise and vibration.

CAMARO	67-81
FIREBIRD	67-81
NOVA	68-74

Billet-Aluminum - Suitable for road race or drag race vehicles for maximum rigidity.

6816	BILLET-ALUMINUM BODY BUSHING SET
6822	URETHANE BODY BUSHING SET
1248	ALIGNMENT PIN TOOL (INCLUDED WITH SUBFRAME)

Inner Fender Splash Flaps

Durable rubber splash flaps designed to fit the g-Machine suspension and OEM inner fender.

CAMARO	67-69
FIREBIRD	67-69
NOVA	68-72



6656 SPLASH FLAPS FOR OEM INNER FENDER WITH G-MACHINE FRONT SUSPENSION (PAIR)

Clutch Pivot-Shaft Bracket Mount

Bracket mounts at the three threaded holes along the driver-side frame rail; same position as factory bracket.

CAMARO	67-69
FIREBIRD	67-69



6331 CLUTCH LINKAGE FRAME PIVOT MOUNT FOR G-MACHINE CAMARO SUBFRAME (7701)

BOLT-ON CLIPS

Bolt-On g-Machine Subframe System

■ MOTOR AND MID PLATES



■ Bolt-In Motor Plate (Optional)

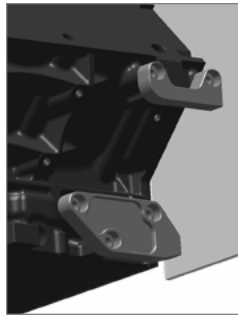
LS-Series



Chevy V8



Recommended for high-horsepower applications, small- or big-block Chevy V8 motor plates bolt onto optionally installed Camaro or Chevy II g-Machine subframe brackets to position the engine in the factory location and provide additional clearance directly underneath the exhaust ports. Motor plates are .250" -thick 6061-T6 aluminum and feature CNC-profile-machined mounting holes, water passages, and outside edges with no trimming or notching required.



6061 - LS adapter mounts

CAMARO	67-81	LS-SERIES	6082*
		SMALL-BLOCK V8	6063
		BIG-BLOCK V8	6064
CHEVY II	62-67	LS-SERIES	6080*
		SMALL-BLOCK V8	6056
		BIG-BLOCK V8	6057
NOVA	68-72	LS-SERIES	6082*
		SMALL-BLOCK V8	6063
		BIG-BLOCK V8	6064
*		A/C BOSS ADAPTER MOUNT FOR LS ENGINES	6061

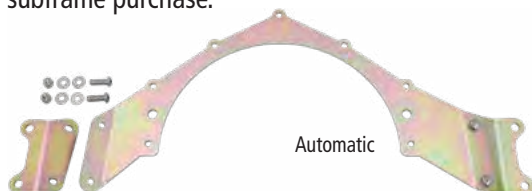
■ Bolt-In Mid Plate (Optional)

Recommended for moderate- to high-horsepower applications, mid plates easily bolt to g-Machine-subframe-equipped 1967-69 Camaro/Firebirds and 1968-72 Novas, with optional brackets, and stock or g-Machine-equipped 1962-67 Chevy II/Novas. By directly coupling the rear block face to the chassis, acceleration response and torque capacity are greatly increased without over-stressing the sidewalls of the engine block. When used with our optional motor plate, the mid plate also improves chassis rigidity by utilizing the engine block as a stress member. Mid plates are CNC-laser-cut, .134" -thick, zinc-plated steel with no trimming or notching required for installation.

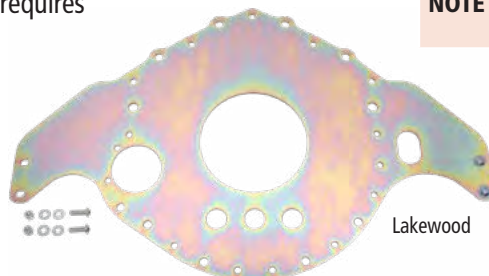
NOTE: Chevy II mid plates mount to inner holes of factory main subframe joint. Kits include frame-adapter brackets, enabling the mid plate to be removed and reinstalled without disrupting the main subframe joint.

NOTE: Camaro g-Machine subframe installation requires selection of optional mid-plate brackets at time of subframe purchase.

CAMARO	67-81	AUTOMATIC	6065
		LAKEWOOD	6066
		LS ADAPTER	6083
CHEVY II*	62-67	AUTOMATIC	6058
		LAKEWOOD	6059
		LS ADAPTER	6081
FIREBIRD	67-81	AUTOMATIC	6071
		LAKEWOOD	6072
		LS ADAPTER	6083
NOVA	68-72	AUTOMATIC	6065
		LAKEWOOD	6066
		LS ADAPTER	6083
NOTE		CHEVY II MID PLATE ALSO FITS OEM SUBFRAME	



Automatic



Lakewood



LS Adapter

Bolt-On g-Machine Subframe System

■ SIDE ENGINE MOUNTS

Side motor mounts enable bolt-on installation when used with our g-Machine crossmember, direct-fit subframes, or 2 x 2" mandrel-bent weld-in crossmember. Most mounts are available in steel and billet-aluminum versions. The steel-sleeved, urethane bushing with 1/2" through-bolt design creates an inseparable mount with significant vibration reduction compared to solid mounts. Mount kits include all hardware.



■ Aluminum Mounts

MAKE	ENGINE	ITEM	OFFSET
CHEVY	LS SERIES	5917-LSF-1	FORWARD
		5917-LSR-1	REAR
	SB, BB, V6	5917-CV8-1	STANDARD



■ Steel Mounts

MAKE	ENGINE	ITEM	OFFSET
CHEVY	LS SERIES	5917-LSA-S	ADJUSTABLE
	LT4 (GEN-5)	5917-LT4-S	REAR
	SS, BB, V6	5917-CV8-S	STANDARD
PONTIAC	V8 ('70-77)	5917-PV8	STANDARD



BOLT-ON CLIPS

■ Motor-Mount Spud Hardware (Optional)

Specially designed, CNC-machined, polished-stainless-steel mounting hardware is optionally available for use with our billet aluminum side motor mounts. Male and female fasteners feature matching Allen-drive, beveled heads for simple installation and excellent appearance. Once tightened against each other, fasteners form a full-length shank with no external threads, providing higher shear strength than standard bolts and correct bushing preload.



5917-SP277 MOTOR-MOUNT SPUD HARDWARE SET, POLISHED

Bolt-On g-Machine Subframe System

FRONT CLIP SUSPENSION SYSTEMS

Five-different base suspension and steering systems are offered with a variety of options from which to choose. Detailed option selectors are viewable online by adding to your shopping part.

Suspension Component Development

Production of our base 4x2" crossmember began roughly 20 years ago. In that time we have broadened the range of performance by developing multiple levels of each supporting suspension component. Customers can now select components ranging from mild-street-car, on coil-overs or air suspension, to double-duty street and track car suitable for performance street, autocross, or track day use.

Ultimate Pro-Touring System



5764 GSTREET WIDE-TRACK SUSPENSION WITH BILLET-ALUMINUM LARGE-UNIT-BEARING HUB

Street Machine System (Coil-Over)



5762 STREET MACHINE ARMS WITH SCULPTED SPINDLE, MULTIPLE BRAKE OPTIONS

g-Machine System



5763 G-MACHINE SUSPENSION ARMS WITH SCULPTED SPINDLE, MULTIPLE BRAKE OPTIONS

Street Machine System (Air)



5762 STREET MACHINE SYSTEM SHOWN WITH OPTIONAL AIR-SPRING SHOCK AND POWER RACK AND PINION

Drag Race System



5765 STREET MACHINE ARMS WITH FABRICATED SPINDLE, MULTIPLE BRAKE OPTIONS

BOLT-ON CLIPS

Bolt-On g-Machine Subframe System

STREET MACHINE SYSTEM (5762)

Suspension Components



CONTROL ARMS	SPINDLES	ANTI-ROLL BARS	TOOLS
STREET MACHINE STYLE	SCULPTED STYLE	3/4", POLY-POLY	BALL-JOINT WRENCH
PAINTABLE BARE METAL	PAINTABLE BARE METAL	1", BEARING-POLY	
		1-1/4", BEARING-POLY	

Shock Absorbers



COIL-OVER SHOCKS	AIR-SPRING SHOCKS	SHOCK HARDWARE	TOOLS
PRESET OR SINGLE ADJUSTABLE	SINGLE ADJUSTABLE	GRADE 8 HEX HEAD	SHOCK SIMULATORS
500 TO 750 LB/IN	DOUBLE ADJUSTABLE	STAINLESS SPUD FASTENERS	

Steering



MANUAL RACK	POWER RACK	TIE RODS
SATIN FINISH	LEFT-HAND DRIVE (USA) RIGHT-HAND DRIVE (AUS)	OEM STYLE BUMP STEER KIT

Brakes

	11.75 X .81" 1-PIECE VENTED ROTOR AND HUB 4-PISTON CALIPER		13 X 1" VENTED ROTOR BILLET-ALUMINUM HAT AND HUB 4-PISTON CALIPER		13 OR 14 X 1.25" VENTED ROTOR BILLET-ALUMINUM HAT AND HUB 6-PISTON CALIPER
--	---	--	---	--	--

BOLT-ON CLIPS

Bolt-On g-Machine Subframe System

G-MACHINE SYSTEM (5763)

Suspension Components



CONTROL ARMS	SPINDLES	ANTI-ROLL BARS	TOOLS
G-MACHINE STYLE	SCULPTED STYLE	1" FIXED RATE	BALL-JOINT WRENCH
PAINTABLE BARE METAL	PAINTABLE BARE METAL	1-1/4" FIXED RATE	SHOCK SIMULATORS
		1-1/4" SPLINED ADJUSTABLE	

Shock Absorbers



COIL-OVER SHOCKS	Q4R COIL-OVERS	AIR-SPRING SHOCKS	SHOCK HARDWARE
PRESET, SINGLE, DOUBLE ADJUSTABLE	4-WAY ADJUSTABLE	SINGLE ADJUSTABLE	GRADE 8 HEX HEAD
POLY OR COM-8 EYE	REMOTE RESERVOIR	DOUBLE ADJUSTABLE	STAINLESS SPUD FASTENERS
500 TO 700 LB/IN	RESERVOIR MOUNTS		

Steering



POWER RACK	TIE RODS
LEFT-HAND DRIVE (USA)	OEM STYLE
RIGHT-HAND DRIVE (AUS)	BUMP STEER KIT

Brakes



11.75 X .81"
1-PIECE VENTED ROTOR AND HUB
4-PISTON CALIPER



13 X 1"
VENTED ROTOR
BILLET-ALUMINUM HAT AND HUB
4-PISTON CALIPER

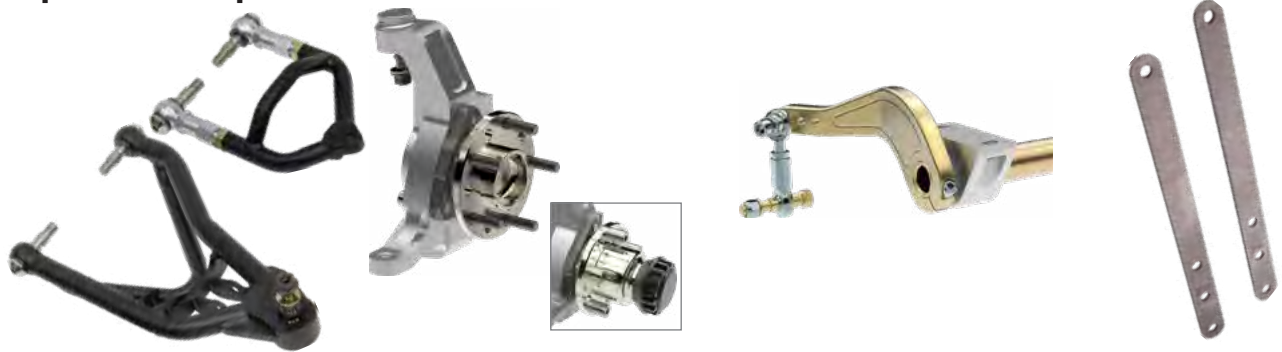


13 OR 14 X 1.25"
VENTED ROTOR
BILLET-ALUMINUM HAT AND HUB
6-PISTON CALIPER

Bolt-On g-Machine Subframe System

■ ULTIMATE PRO-TOURING SYSTEM (5764)

Suspension Components



CONTROL ARMS	SPINDLES	ANTI-ROLL BARS	TOOLS
GSTREET STYLE	BILLET ALUMINUM	1-1/4" SPLINED BAR	SHOCK SIMULATORS
WIDE-TRACK GEOMETRY	UNIT-BEARING HUB	ADJUSTABLE RATE	
BLACK POWDER COAT FINISH	CENTER-LOCK OPTION	BEARING END LINKS	

Shock Absorbers



COIL-OVER SHOCKS	Q4R COIL-OVERS	AIR-SPRING SHOCKS	SHOCK HARDWARE
SINGLE ADJUSTABLE	4-WAY ADJUSTABLE	SINGLE ADJUSTABLE	GRADE 8 HEX HEAD
DOUBLE ADJUSTABLE	REMOTE RESERVOIR	DOUBLE ADJUSTABLE	STAINLESS SPUD FASTENERS
500 TO 750 LB/IN	RESERVOIR MOUNTS		

Steering



POWER RACK	TIE RODS
LEFT-HAND DRIVE (USA)	BUMP STEER KIT
RIGHT-HAND DRIVE (AUS)	

Brakes



14 X 1.25"
VENTED IRON ROTOR
BILLET-ALUMINUM HAT AND HUB
6-PISTON CALIPER
BLACK, RED, OR NICKEL CALIPER



15 X 1.25"
VENTED IRON ROTOR
BILLET-ALUMINUM HAT AND HUB
6-PISTON CALIPER
BLACK, RED, OR NICKEL CALIPER

Bolt-On g-Machine Subframe System

■ DRAG RACE SYSTEM (5765)

Suspension Components



CONTROL ARMS	RACE SPINDLES	STREET SPINDLES	TOOLS
STREET MACHINE STYLE	FABRICATED 4130	SCULPTED STYLE	BALL-JOINT WRENCH
PAINTABLE BARE METAL	PAINTABLE BARE METAL	PAINTABLE BARE METAL	

Shock Absorbers



COIL-OVER SHOCKS	TOOLS
SINGLE OR DOUBLE ADJUSTABLE	SHOCK SIMULATORS
250 TO 500 LB/IN	

Steering



MANUAL RACK	TIE RODS
SATIN FINISH	OEM STYLE
	BUMP STEER KIT

Brakes



11-3/4 X .35"
 SLOTTED ROTOR
 BILLET-ALUMINUM HUB
 4-PISTON CALIPER



11-3/4 X .81"
 1-PIECE VENTED ROTOR AND HUB
 4-PISTON CALIPER
 BLACK OR RED

BOLT-ON CLIPS

Bolt-On g-Machine Subframe System

SPINDLES AND UPRIGHTS

Street-Machine Spindles

- Street-Machine or g-Machine arms
- CAD designed for max. strength



6174 SCUPLTED IRON SPINDLES

gStreet Billet-Aluminum (5-Lug)

- Heavy-duty sealed unit-bearing hub
- 5 on 4-1/2" or 5 on 4-3/4"
- Threaded bumpsteer adjustment
- Tension adjustable integrated upper pivot mechanism



5737-SM1-1 5 ON 4-1/2" STUD PATTERN

5737-SM1-2 5 ON 4-3/4" STUD PATTERN

Drag Race Spindles

- Lightweight 4130 construction
- Use with Street-Machine arms
- Bare metal finish



6165 DRAG RACE SPINDLES

gStreet Billet-Aluminum (Center-Lock)

- Tension adjustable integrated upper pivot
- Heavy-duty sealed unit-bearing hub
- Center-lock (Forgeline)
- 5 x .80" drive studs
- Bumpsteer adjustment



5737-SM1-FC LONG SPINDLE HUB

SHORT SPINDLE HUB

CONTROL ARM STYLES

Street-Machine Arms



- Street and drag race performance
- Adjustable upper control arm
- Low-friction, polymer pivots
- Mandrel-bent DOM-steel tubing
- Paintable bare metal

6171 UPPER ARMS, BARE METAL

6172 LOWER ARMS, BARE METAL

6104 SCREW-IN BALL JOINTS (PR)

g-Machine Arms



- Street and performance-handling
- Rigid triangulated arm brace
- Upper arm adjustment couplers
- Low-friction, polymer pivots
- Heavy-duty screw-in ball joints
- Mandrel-bent DOM-steel tubing

6152 UPPER ARMS, BARE METAL

6153 LOWER ARMS, BARE METAL

gStreet Arms



- Ultimate pro-touring and race
- Wide track suspension geometry
- Use with gStreet billet upright
- Extreme-load pivot-ball mechanisms
- Rigid triangulated arm brace
- Mandrel-bent DOM-steel tubing

6156 UPPER ARMS, MATTE BLACK

6157 LOWER ARMS, MATTE BLACK

Bolt-On g-Machine Subframe System



STREET-MACHINE BRAKES

- 11.75 x .81" 1-Piece Vented Rotor-Hub with 4-Piston Caliper



8319-BK	WITH BLACK CALIPERS
8319-RD	WITH RED CALIPERS

- 1"-Wide Vented Rotor, 5-Lug Billet-Aluminum Hub with 4-Piston Caliper



8324-134	WITH BLACK CALIPERS
----------	---------------------

- 1.25"-Wide Vented Rotor, 5-Lug Billet-Aluminum Hub with 6-Piston Caliper



8324-136	13"	WITH BLACK OR RED CALIPERS
8324-14	14"	WITH BLACK OR RED CALIPERS

GSTREET BRAKES

- 1.25"-Wide Vented Rotor, 5-Lug Unit-Bearing Hub with 6-Piston Caliper



8377-14	14"	BLACK, RED OR NICKLE THERMLOCK CALIPERS	STREET, AUTOCROSS OR ROAD RACE PADS
8377-15	15"	BLACK, RED OR NICKLE THERMLOCK CALIPERS	STREET, AUTOCROSS OR ROAD RACE PADS

- 1.25"-Wide Vented Rotor, Center-Lock Unit-Bearing Hub with 6-Piston Caliper



8378-14	14"	BLACK, RED OR NICKLE THERMLOCK CALIPERS	STREET, AUTOCROSS OR ROAD RACE PADS
8378-15	15"	BLACK, RED OR NICKLE THERMLOCK CALIPERS	STREET, AUTOCROSS OR ROAD RACE PADS

DRAG RACE BRAKES

- 11.75 Rotor, 5-Lug Hub with 4-Piston Caliper



8336	.35" -WIDE SLOTTED	BILLET-ALUMINUM HUB	BLACK
8319-BK	.81" -WIDE VENTED	1-PIECE ROTOR-HUB	BLACK
8319-RD	.81" -WIDE VENTED	1-PIECE ROTOR-HUB	RED

BOLT-ON CLIPS

'62-67 Chevy II Bolt-On Strut Clip

- **Factory-welded front clip**
- **4130 1-5/8" round tubing**
- **Dramatically reduce front end weight**
(124 lbs as shown)
- **Increase engine bay room**
(tall deck engines, large-diameter headers)



7702	BOLT-ON 4130 STRUT CLIP FOR '62-67 CHEVY II
INCLUDES	FRAME CLIP, STRUTS, CONTROL ARMS, 4130 ROD ENDS, RACK AND PINION, BRAKE KIT
OPTIONS	
FRAME CLIP	MOTOR PLATE TABS BUMPER MOUNTS INSTALLED
BRAKES	SPINDLE-MOUNT KIT (WELD & AMERICAN WHEELS) LIGHT-DUTY KIT, 10.0 X .35" SLOTTED ROTORS MEDIUM-DUTY KIT, 11.75 X .35" SLOTTED ROTORS HEAVY-DUTY KIT, 11.75 X .81" ROTORS , 4-PISTON
MOTOR PLATE	CHEVY: SMALL-BLOCK, BIG-BLOCK, LS-SERIES
MID PLATE	SB/BB CHEVY - AUTOMATIC (1/2" OFFSET) SB/BB CHEVY - LAKEWOOD CAN (1/2" OFFSET) LS-SERIES CHEVY - AUTOMATIC ALUMINUM BLANK (REQUIRES MACHINING)

■ Billet VariStruts

- Integrated spindle
- 6" of suspension travel
- Double-adjustable valving
- Spherical-bearing top mount



BOLT-ON CLIPS

■ Brake Options



Spindle-Mount Light-Duty Medium-Duty Heavy-Duty

SPRING RATES		
FRONT WEIGHT	RATE	TRAVEL
900-1025 LB	110 LB/IN	7.91"
1025-1175 LB	130 LB/IN	8.43"
1175-1350 LB	150 LB/IN	7.61"
1350-1500 LB	175 LB/IN	7.60"
1500-1825 LB	200 LB/IN	7.45"
1825-2200 LB	250 LB/IN	7.00"
2200-2600 LB	300 LB/IN	7.07"

■ Drag-Race Rack and Pinion

- Increased turing radius
(improve pit maneuverability)
- Billet aluminum rack and mounts



■ Drag-Race Steering Column

- Aluminum quick-release hub
- Stainless-steel column tube
 - 4130 steering shaft
 - Aluminum U-joints



■ Motor and Mid Plates



g-Connector System

The bolt-on g-Connector system provides improved chassis stiffness for 1967-81 Camaro/Firebird, 1962-67 Chevy II/Nova, and 1968-72 Nova equipped with Chassisworks' fabricated subframe or OEM subframe (weld-in adapters required). The complete system is comprised of 2" boxed-tubing outside frame connectors, 1-5/8" round-tube center connector assembly, adjustable position driveshaft safety loop, and weld-in OEM subframe adapters, if applicable. g-Connector frame connectors, center supports, and driveshaft safety loops ship with required mounting hardware.

Once installed the connector system provides a direct structural bridge between the rear subframe at the spring mount and the front suspension subframe. A noticeable improvement in chassis rigidity yields more responsive handling and sharper acceleration while relying less on the flexible sheet metal for chassis stiffness.



■ Camaro '67-81 and Nova '68-72 Specific



■ INDIVIDUAL COMPONENTS

		SUBFRAME CONNECTORS			CENTER SUPPORT		DRIVESHAFT LOOP
		OEM REAR RAILS	CAC REAR RAILS	FRONT ADAPTER	LEAF / 4-LINK	TORQUE ARM	
CAMARO / FIREBIRD	67-69	5903-F10	-	5903-F10-OEM	5904-F10	5858-U01	TCP DSL-01
	70-74	5903-F21	5903-F21-NF	5903-F10-OEM	5904-F20	5906-F20	5905-F20
	75-81	5903-F22	5903-F22-NF	5903-F10-OEM	5904-F20	5906-F20	5905-F20
NOVA	62-67	5903-X10	-	-	5904-X10	5858-U01	5905-X10
	68-72	5903-X20	-	5903-F10-OEM	5904-X20	5858-U01	TCP DSL-01

■ PACKAGES FOR LEAF SPRING AND G-LINK SUSPENSIONS

		CAC FRONT FRAME	OEM FRONT FRAME
CAMARO / FIREBIRD	67-69	5901-F10	5900-F10
	70-74	5901-F21	5900-F21
	75-81	5901-F22	5900-F22
NOVA	62-67	5900-X20	5900-X10
	68-72	5901-X20	5900-X20



■ PACKAGES - TORQUE ARM SUSPENSIONS

		CAC FRONT FRAME	OEM FRONT FRAME
CAMARO / FIREBIRD	67-69	5926-F10	5925-F10
	70-74	5926-F21	5925-F21
	75-81	5926-F22	5925-F22
NOVA	62-67	-	5925-X10
	68-72	5926-X20	5925-X20

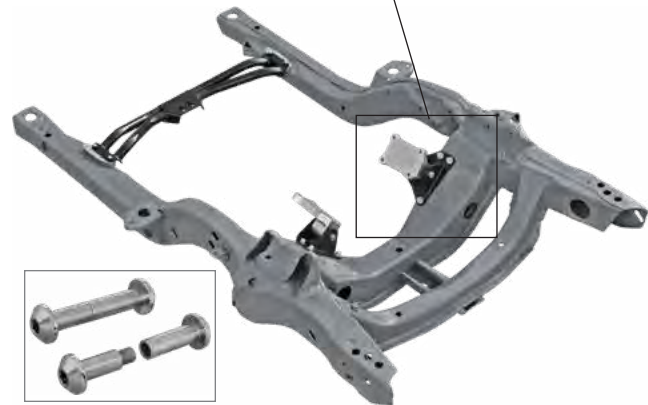
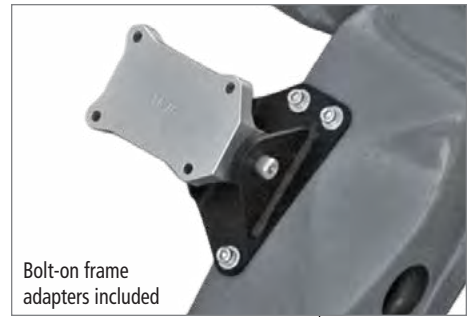


Direct-Fit Motor Mounts

Chassisworks side motor mount and frame adapter sets enable direct bolt-in installation of Chevrolet's modern LS engines and standard V8 and 4.3L V6 engines into 1967-81 Camaro/Firebird (F-Body), 1968-74 Nova (X-Body), and 1964-72 Chevelle (A-Body) factory frames. CNC-machined, billet-aluminum and weld-assembled steel mounts feature steel-sleeved, urethane bushings secured by a 1/2" through-bolt. This captive-bushing design creates an inseparable mount with strength and reliability of a solid mount, but with significantly less vibration.

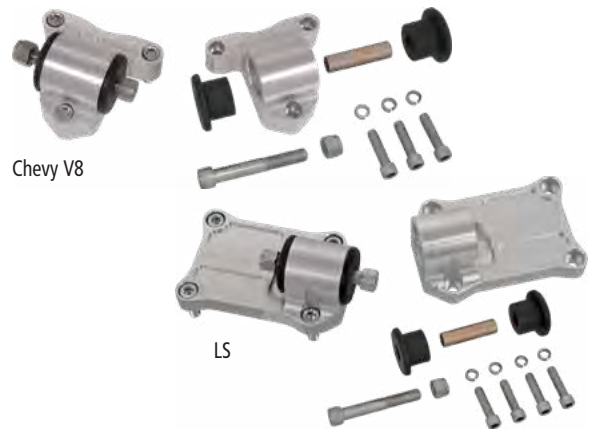
Correct engine position and drivetrain angle is maintained with either mount set to ensure correct drivetrain geometry and pinion angle. Steel LS mounts allow fore/aft adjustment to alleviate clearance issues. Complete mounting hardware set included.

CHEVELLE (A-BODY)	64-67	LS	5914-A10-LS	ALUMINUM, SATIN STEEL ADJUSTABLE, BLACK	
		BB, SB	5914-A10-V8	CHEVY STEEL, BLACK CHEVY ALUMINUM, SATIN PONTIAC 70-77 5-HOLE, STEEL	
	68-72	LS	5914-A20-LS	ALUMINUM, SATIN STEEL ADJUSTABLE, BLACK	
		BB, SB	5914-A20-V8	CHEVY STEEL, BLACK CHEVY ALUMINUM, SATIN PONTIAC 70-77 5-HOLE, STEEL	
	CAMARO / FIREBIRD (F-BODY)	67-69	BB	5914-F10-BB	CHEVY STEEL, BLACK CHEVY ALUMINUM, SATIN PONTIAC 70-77 5-HOLE, STEEL
			LS	5914-F10-LS	ALUMINUM, SATIN STEEL ADJUSTABLE, BLACK
SB			5914-F10-SB	CHEVY STEEL, BLACK CHEVY ALUMINUM, SATIN PONTIAC 70-77 5-HOLE, STEEL	
70-71		LS	5914-F20-LS	ALUMINUM, SATIN STEEL ADJUSTABLE, BLACK	
		BB, SB	5914-F20-V8	CHEVY STEEL, BLACK CHEVY ALUMINUM, SATIN PONTIAC 70-77 5-HOLE, STEEL	
72-81		LS	5914-F21-LS	ALUMINUM, SATIN STEEL ADJUSTABLE, BLACK	
	BB, SB	5914-F21-V8	CHEVY STEEL, BLACK CHEVY ALUMINUM, SATIN PONTIAC 70-77 5-HOLE, STEEL		
NOVA (X-BODY)	68-74	BB	5914-F10-BB	CHEVY STEEL, BLACK CHEVY ALUMINUM, SATIN PONTIAC 70-77 5-HOLE, STEEL	
		LS	5914-F10-LS	ALUMINUM, SATIN STEEL ADJUSTABLE, BLACK	
		SB	5914-F10-SB	CHEVY STEEL, BLACK CHEVY ALUMINUM, SATIN PONTIAC 70-77 5-HOLE, STEEL	



5917-SP277 STAINLESS SPUD HARDWARE

■ Billet-Aluminum Mounts



■ Welded-Steel Mounts



CHASSIS/ENGINE

Direct-Fit Transmission Crossmembers

- Slotted mount allows drivetrain variances such as mid plates
- Eliminates need to access hardware from above the mounts
- Available for popular transmissions/engine combinations
- Dual 1-1/4 x .120" -wall tubular construction
- Clearance for up to 3" exhaust



CAMARO	67-81
FIREBIRD	67-81
NOVA	68-74

TRANSMISSION	NOTES	DISTANCE TO BLOCK	CAMARO / FIREBIRD		NOVA
			67-69	70-81	68-74
4-SPEED / POWERGLIDE / TURBO 350	-	20.53"	5916-F10-01	5916-F20-01	5916-F10-01
700R4/TREMEC/RICHMOND 5-SPEED /4L60	-	22.30"	5916-F10-02	5916-F20-02	5916-F10-02
RICHMOND 6-SPEED ROD	-	24.38"	5916-F10-04	5916-F20-04	5916-F10-04
TREMEC AFTERMARKET T-56 MAGNUM 6-SPEED	1	26.60"	5916-F10-05 ³	5916-F20-05	5916-F10-05
TURBO 400 / 200-4R / 4L65E	2	26.85"	5916-F10-03	5916-F20-03	5916-F10-03
4L80E/4L85E CHEVROLET AUTOMATIC	-	30.36"	5916-F10-06	5916-F20-06	5916-F10-06
NOTES	1 - TREMEC TUET11009 AND TUET11012				
	2 - 4L65E FOR USE WITH LS-SERIES ENGINE ONLY. CROSSMEMBER MOUNTS IN REARMOST SUBFRAME HOLES.				
	3 - LOWERS TRANSMISSION 1" TO CLEAR OEM TUNNEL. INCLUDED SPACER CORRECTS TRANSMISSION ANGLE. REQUIRES TUNNEL CAP (5922-F10).				

CHASSIS/ENGINE

■ OEM Subframe Adapters



5916-F10-11	CHEVY V8 ADAPTER SET
5916-F10-12	CHEVY LS ADAPTER SET

■ High-Clearance Tunnel Cap

Additional tunnel clearance is required in the first-generation F-body when installing the T-56 Magnum transmission. The spacer included with crossmember 5916-F10-05 raises the transmission and maintains the correct drivetrain angle. Additional fabrication may be required if used in other applications.



CAMARO	67-69
FIREBIRD	67-69

5922-F10	HIGH-CLEARANCE TUNNEL CAP
NOTE	USE WITH CROSSMEMBER 5916-F10-05 AND INCLUDED SPACER

Chassisworks GM Spindles

■ A-, F-, AND X-BODY BILLET-ALUMINUM SPINDLES ('67-72)

- Lightweight aluminum with stainless-steel tapered inserts
- FEA designed; increased rigidity over steel spindles
- One-half the weight of tall steel spindles
- Direct replacement for OEM spindles
- Accepts OEM or aftermarket brakes
- 2" drop or stock spindle axle height
- 1-1/2" taller upright improves handling
- Bumpsteer corrected steering arm (A-body)
- Z28 quick-ratio steering arm (F-, X-Body)



APOLLO	73-74
BUICK SPECIAL	67-72
CAMARO	67-69
CHEVELLE	67-72
CUTLASS	67-72

EL CAMINO	71-72
F85	67-72
FIREBIRD	67-69
GRAND PRIX	69-72
MALIBU	67-72

MONTE CARLO	70-72
NOVA	68-74
OMEGA	73-74
GMC SPRINT	71-72
TEMPEST	67-72
VENTURA II	71-74

■ Spindles



5754-AFX-0 STOCK-HEIGHT SPINDLES

5754-AFX-2 2" DROPPED SPINDLES

NOTE MINIMUM RIM SIZE IS 15 TO 18" DEPENDING UPON WIDTH AND BRAKE KIT

■ Steering Arms



5755-A10-BSI A-BODY BUMP STEER CORRECTED
5755-F10-Z28 F- AND X-BODY Z28 QUICK RATIO

NOTE USE OEM-STYLE OUTER TIE ROD OR CHASSISWORKS BUMP STEER KIT; 5715-XXX

■ MUSTANG II FORGED SPINDLES

To increase reliability and confidence in your drag-race or street-rod suspension, Chassisworks now produces a series of forged Mustang II spindles in both stock height and 2"-dropped versions.



5711-M30 STOCK-HEIGHT MUSTANG II

■ '55-57 - 2" DROP SPINDLES

This direct-replacement 2"-drop spindle fits full-size Chevrolet passenger cars from 1955-1957. The spindles accept factory steering arms and brakes.



5711-H10-2 2"-DROP SPINDLES, '55-57 FULL-SIZE

Chassisworks GM Spindles

■ A-, F-, AND X-BODY FORGED SPINDLES ('67-72)

Chassisworks series of forged A-, F-, and X-body spindles directly replace the OEM components from GM vehicles ranging from 1967-1972 (some models later). Popular models include Chevelle, Camaro, and Nova. Spindles also interchange with related Buick, Oldsmobile, and Pontiac models, including Apollo, Firebird, Grand Prix, Cutlass, and others.

APOLLO	73-74	EL CAMINO	71-72	MONTE CARLO	70-72
BUICK SPECIAL	67-72	F85	67-72	NOVA	68-74
CAMARO	67-69	FIREBIRD	67-69	OMEGA	73-74
CHEVELLE	67-72	GRAND PRIX	69-72	GMC SPRINT	71-72
CUTLASS	67-72	MALIBU	67-72	TEMPEST	67-72
				VENTURA II	71-74



2" Drop - Extended Upright

This 2"-drop spindle features a 2"-taller upright to improve negative camber gain and cornering ability. Spindles are shipped in pairs.

5711-A10-2T 2"-DROP, TALL SPINDLES



2" Drop - Stock Upright

The 2"-drop spindle features a relocated axle to lower your vehicle's stance without sacrificing suspension travel. Spindles are shipped in pairs.

5711-A10-2 2"-DROP SPINDLES



Stock Height

This direct-replacement spindle features the stock-height suspension geometry and accepts factory disc brakes. Spindles are shipped in pairs.

5711-A10 STOCK-HEIGHT SPINDLES

■ A-, F-, G-, AND X-BODY SPINDLES ('73-87)

Later A-, F-, G-, and X-body spindles are a heavy-duty cast construction with relocated press-fit axle to lower your vehicle's stance 2" without negatively affecting steering geometry or suspension travel. These spindles are a direct replacement for GM vehicles ranging from 1973-1987 (some model exceptions). Popular models include Chevelle, Camaro, Nova, and Monte Carlo. Spindles also interchange with related Buick, Oldsmobile, and Pontiac models, including Apollo, Firebird, Grand Prix, Cutlass, and others.

APOLLO	75	5711-F20-2
BONNEVILLE	83-86	5711-G10-2
BUICK	77-78 ¹	5711-F20-2
	79	5711-F21-2
CAMARO	70-78	5711-F20-2
	79	5711-F21-2
CENTURY	73-77	5711-F20-2
	78-81 ²	5711-G10-2
CHEVROLET PASSENGER	77-78 ¹	5711-F20-2
	79 ¹	5711-F21-2
CHEVELLE	73-77	5711-F20-2
CUTLASS	73-77	5711-F20-2
	78-88 ²	5711-G10-2
EL CAMINO	73-77	5711-F20-2
	78 ²	5711-G10
FIREBIRD	70-78	5711-F20-2
	79	5711-F21-2
GRAND PRIX	73-77	5711-F20-2
	78-87 ²	5711-G10-2
LEMANS	73-77	5711-F20-2
MALIBU	78-81 ²	5711-G10-2
	78-87 ²	5711-G10-2

MONTE CARLO	73-77	5711-F20-2
	78-88 ²	5711-G10-2
NOVA	75-78	5711-F20-2
	79	5711-F21-2
OLDSMOBILE	77-78 ¹	5711-F20-2
	79	5711-F21-2
OMEGA	75-78	5711-F20-2
	79	5711-F21-2
PHOENIX	77-78	5711-F20-2
	79	5711-F21-2
PONTIAC	77-78 ¹	5711-F20-2
	79 ¹	5711-F21-2
	82	5711-G10-2
REGAL	73-77	5711-F20-2
	78-87 ²	5711-G10-2
SEVILLE	76	5711-F20-2
SKYLARK	75-78	5711-F20-2
	79	5711-F21-2
GMC SPRINT	73-77	5711-F20-2
	78-87 ²	5711-G10
VENTURA II	75-77	5711-F20-2
NOTES	1 - 11" ROTOR	
	2 - '78 USE LATER WHEEL BEARINGS	



5711-F20-2	2"-DROP SPINDLES, '70-78 F-BODY
5711-F21-2	2"-DROP SPINDLES, '79-81 F-BODY
5711-G10-2	2"-DROP SPINDLES, '78-88 G-BODY

FRONT SUSPENSION

Bump-Steer & Tie-Rod Assemblies

■ Billet Tie-Rod Adjuster Sleeves



5712-A10	'64-70 CHEVELLE (A), '78-88 MONTE CARLO (G)
5712-F10	'67-69 CAMARO (F-BODY), '65-70 IMPALA (B-BODY)
5712-F20	'70-81 CAMARO (F-BODY), '71-77 CHEVELLE (A-BODY)
INCLUDES	BILLET SLEEVES AND JAM NUTS

■ Bump-Steer Kit (Outer Only)



5715-A10	'64-70 CHEVELLE (A-BODY)
5715-A30	'71-72 CHEVELLE (A-BODY)
5715-F10	'67 CAMARO (F-BODY)
5715-F11	'68-69 CAMARO (F-BODY)
5715-F20	'70-74 CAMARO (F-BODY)
5715-F21	'75-81 CAMARO (F-BODY)
5715-G10	'78-88 MONTE CARLO (G-BODY)
INCLUDES	OUTER TIE-ROD WITH HEIGHT-ADJUSTABLE STUD-ROD-END-SLEEVE ASSEMBLY

■ Tie-Rod, Centerlink, and Idler Arm



5714-A10	'64-67 CHEVELLE (A-BODY)
5714-A20	'68-70 CHEVELLE (A-BODY)
5714-A30	'71-72 CHEVELLE (A-BODY)
5714-F11	'68-69 CAMARO (F-BODY)
5714-F20	'70-74 CAMARO (F-BODY)
5714-F21	'75-81 CAMARO (F-BODY)
5714-G10	'78-88 MONTE CARLO (G-BODY)
INCLUDES	OEM REPLACEMENT IDLER ARM, CENTERLINK, AND TIE-RODS, WITH BILLET SLEEVES

■ Tie-Rod and Sleeve Sets



5713-A10	'64-70 CHEVELLE (A-BODY)
5713-A30	'71-72 CHEVELLE (A-BODY)
5713-F10	'67 CAMARO (F-BODY)
5713-F11	'68-69 CAMARO (F-BODY)
5713-F20	'70-74 CAMARO (F-BODY)
5713-F21	'75-81 CAMARO (F-BODY)
5713-G10	'78-88 MONTE CARLO (G-BODY)
INCLUDES	OEM REPLACEMENT TIE RODS AND BILLET SLEEVE SET

■ Bump-Steer Tie-Rod Assemblies



5716-A10	'64-70 CHEVELLE (A-BODY)
5716-A30	'71-72 CHEVELLE (A-BODY)
5716-F10	'67 CAMARO (F-BODY)
5716-F11	'68-69 CAMARO (F-BODY)
5716-F20	'70-74 CAMARO (F-BODY)
5716-F21	'75-81 CAMARO (F-BODY)
5716-G10	'78-88 MONTE CARLO (G-BODY)
INCLUDES	FACTORY INNER TIE RODS AND HEIGHT-ADJUSTABLE OUTER BUMP-STEER KIT

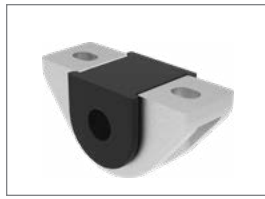
■ Bump-Steer, Tie-Rod, Centerlink, and Idler Arm



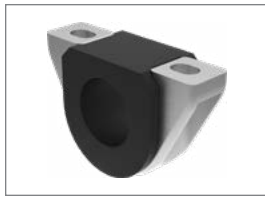
5717-A10	'64-67 CHEVELLE (A-BODY)
5717-A20	'68-70 CHEVELLE (A-BODY)
5717-A30	'71-72 CHEVELLE (A-BODY)
5717-F11	'68-69 CAMARO (F-BODY)
5717-F20	'70-74 CAMARO (F-BODY)
5717-F21	'75-81 CAMARO (F-BODY)
5717-G10	'78-88 MONTE CARLO (G-BODY)
INCLUDES	OEM REPLACEMENT IDLER ARM, CENTERLINK, INNER TIE-RODS, WITH BILLET SLEEVES, OUTER BUMP-STEER

Anti-Roll Bar Hardware

■ BILLET-ALUMINUM MOUNT SETS



Bushing-D Mount (Medium)



Bushing-F Mount (Large)

■ Billet Mounts (Medium "D" Bushing)

ITEM	BAR DIA.	MOUNT	BOLT	SLOT CENTERS
5727-D10-2529	5/8"	STANDARD	3/8"	2.5" - 2.9"
5727-D12-2529	3/4"			
5727-D14-2529	7/8"			
5727-D16-2529	1"			
5727-D18-2529	1-1/8"			
5727-D20-2529	1-1/4"			

■ Billet Mounts (Large "F" Bushing)

ITEM	BAR DIA.	MOUNT	BOLT	SLOT CENTERS
5727-F20-2529	1-1/4"	TALL-NARROW	3/8"	2.5" - 2.9"
5727-F21-2529	1-5/16"			
5727-F22-2529	1-3/8"			
5727-F23-2529	1-7/16"			
5727-F24-2529	1-1/2"			

■ BILLET PIVOT-BALL END LINK SETS

- Zero deflection joint improves handling
- Zero stiction (linear minimal resistance)
- 50-degrees misalignment at each end

- Same diameter as bushing endlinks
- Tough billet steel construction
- Tighten for wear; rebuildable joint

■ Inline to Inline Endlink Sets

5752-00-472	INLINE X INLINE - 4.72" CENTER TRAVEL (± 1/2")
5752-00-726	INLINE X INLINE - 7.26" CENTER TRAVEL (± 1")



■ Inline to 90-Degree Endlink Sets

5752-09-434	INLINE X 90° - 4.34" CENTER TRAVEL (± 1/2")
5752-09-665	INLINE X 90° - 6.65" CENTER TRAVEL (± 1")



■ 90-Degree to 90-Degree Endlink Sets

5752-99-373	90° X 90° - 3.73" CENTER TRAVEL (± 1/2")
5752-99-604	90° X 90° - 6.04" CENTER TRAVEL (± 1")



Direct-Fit Front Suspensions

■ GSTREET COIL-OVER SUSPENSIONS

- Selectable spring rate with adjustable shock valving
- Greatly improves handling over stock suspension
- Reduced deflection in arms, pivots and mounts
- Tubular upper and lower control arms
- Polymer or urethane pivot bushings
- Greasable pivot-ball top stud
- COM-8 lower shock eye



MODEL	YEAR	ITEM	OPTIONS							
			SHOCKS	SPRINGS	SPINDLES	BILLET SLEEVE	BUMP STEER	TIE RODS	CENTER LINK	IDLER ARM
CHEVELLE (A-BODY)	64-67	5706-A10	1,2	1,2,3,4	1,2,3,4,5	✓	✓	✓	-	-
	68-70	5706-A20	1,2	1,2,3,4	1,2,3,4,5	✓	✓	✓	✓	✓
	71-72	5706-A30	1,2	1,2,3,4	1,2,3,4,5	✓	✓	✓	✓	✓
CAMARO (F-BODY)	67	5706-F10	1,2	1,2,3,4	1,2,3,4,5	✓	✓	✓	-	-
	68-69	5706-F11	1,2	1,2,3,4	1,2,3,4,5	✓	✓	✓	-	✓
	70-74	5706-F20	1,2	1,2,3,4	1	✓	✓	✓	✓	✓
	75-81	5706-F21	1,2	1,2,3,4	1	✓	✓	✓	✓	✓
CHEVY	55-57	5706-H10	1,2	1,2,3,4	1	-	-	-	-	-
NOTE	INCLUDES UPPER AND LOWER CONTROL ARMS, AND VARISHOCK COIL-OVER WITH CHOICE OF SPRING RATES									

■ OPTIONS

SHOCK OPTIONS

	VALVING	UPPER	LOWER
1	SINGLE	BALL STUD	COM-8
2	DOUBLE	BALL STUD	COM-8

SPRING OPTIONS

	RATE (LB/IN)	LENGTH
1	550	9"
2	600	9"
3	675	9"
4	750	9"

SPINDLE OPTIONS

	TYPE	RIDE	UPRIGHT
1	FORGED	STOCK	STOCK
2	FORGED	2" DROP	STOCK
3	FORGED	2" DROP	2" TALL
4	ALUMINUM	STOCK	1.5" TALL
5	ALUMINUM	2" DROP	1.5" TALL



FRONT SUSPENSION

Direct-Fit Front Suspensions

■ GSTREET AIR-SPRING SUSPENSIONS

- Instantly adjust ride height with separate air system
- Improves handling with ultra-low static stance
- Reduced deflection in arms, pivots and mounts
- Tubular upper and lower control arms
- Polymer or urethane pivot bushings
- Greasable pivot-ball top stud
- COM-8 lower shock eye



MODEL	YEAR	ITEM	OPTIONS						
			SHOCKS	SPINDLES	BILLET SLEEVE	BUMP STEER	TIE RODS	CENTER LINK	IDLER ARM
CHEVELLE (A-BODY)	64-67	5707-A10	1,2	1,2,3,4,5	✓	✓	✓	-	-
	68-70	5707-A20	1,2	1,2,3,4,5	✓	✓	✓	✓	✓
	71-72	5707-A30	1,2	1,2,3,4,5	✓	✓	✓	✓	✓
CAMARO (F-BODY)	67	5707-F10	1,2	1,2,3,4,5	✓	✓	✓	-	-
	68-69	5707-F11	1,2	1,2,3,4,5	✓	✓	✓	-	✓
	70-74	5707-F20	1,2	1	✓	✓	✓	✓	✓
	75-81	5707-F21	1,2	1	✓	✓	✓	✓	✓
NOTES		INCLUDES UPPER AND LOWER CONTROL ARMS, VARISHOCK AIR-SPRING SHOCKS. AIR SYSTEM SOLD SEPARATELY.							

■ OPTIONS

SHOCK OPTIONS			
	VALVING	UPPER	LOWER
1	SINGLE	BALL STUD	COM-8
2	DOUBLE	BALL STUD	COM-8

SPINDLE OPTIONS			
	TYPE	RIDE	UPRIGHT
1	FORGED	STOCK	STOCK
2	FORGED	2" DROP	STOCK
3	FORGED	2" DROP	2" TALL
4	ALUMINUM	STOCK	1.5" TALL
5	ALUMINUM	2" DROP	1.5" TALL



FRONT SUSPENSION

Direct-Fit Front Suspensions

■ GSTREET COIL-SPRING SUSPENSIONS

- Adjustable valve shocks, stiffer urethane bushings
- Improves handling over stock suspension
- Reduced deflection in arms and pivots
- Tubular upper and lower control arms
- Polymer or urethane pivot bushings



MODEL	YEAR	ITEM	OPTIONS						
			SHOCKS	SPINDLES	BILLET SLEEVE	BUMP STEER	TIE RODS	CENTER LINK	IDLER ARM
CHEVELLE (A-BODY)	64-67	5734-A10	1,2	1,2,3	✓	✓	✓	-	-
	68-70	5734-A20	1,2	1,2,3	✓	✓	✓	✓	✓
	71-72	5734-A30	1,2	1,2,3	✓	✓	✓	✓	✓
CAMARO (F-BODY)	67	5734-F10	1,2	1,2,3	✓	✓	✓	-	-
	68-69	5734-F11	1,2	1,2,3	✓	✓	✓	-	✓
NOTE		INCLUDES UPPER AND LOWER CONTROL ARMS							

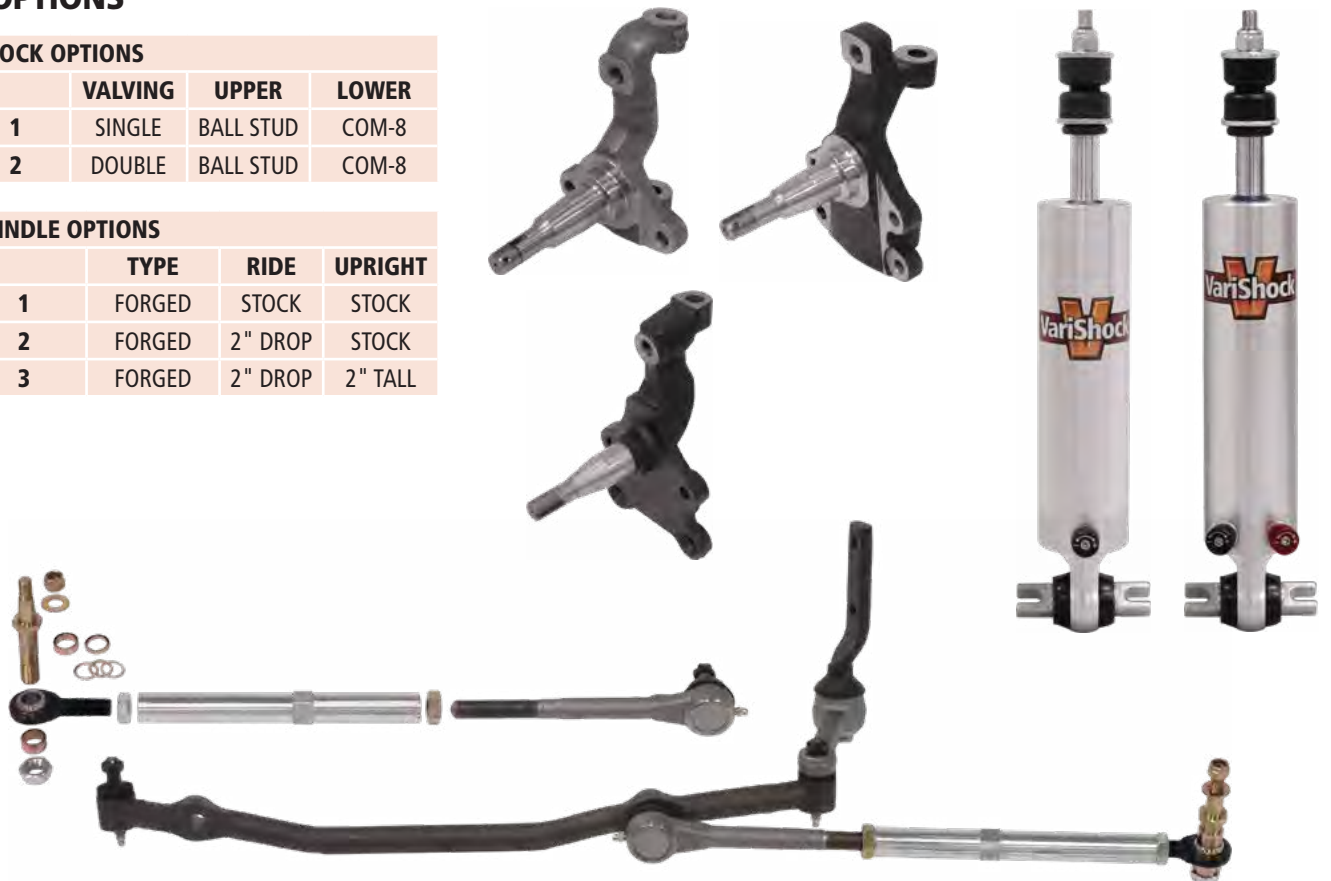
■ OPTIONS

SHOCK OPTIONS

	VALVING	UPPER	LOWER
1	SINGLE	BALL STUD	COM-8
2	DOUBLE	BALL STUD	COM-8

SPINDLE OPTIONS

	TYPE	RIDE	UPRIGHT
1	FORGED	STOCK	STOCK
2	FORGED	2" DROP	STOCK
3	FORGED	2" DROP	2" TALL



FRONT SUSPENSION

gStreet Bolt-On Front Upper A-Arms

Originally designed for use with our gStreet coil-over, air-spring and coil-spring suspensions, gStreet tubular upper control arms make an excellent upgrade to your OEM suspension. Stiffer materials are used to significantly reduce pivot-bushing deflection and improve suspension geometry accuracy. Control arm sets feature OEM-style balljoints, for use with factory or aftermarket spindles, and durable powder-coat finish.



5706-XXX
Coil-Over Suspension



5707-XXX
Air-Spring Suspension



5734-XXX
Coil-Spring Suspension

■ '67-69 Camaro (F-Body) - Mark II Upper Arms



5704-F10 '67-69 CAMARO, '68-74 NOVA UPPER ARMS (PAIR)

■ '55-57 Chevy (GM Full-Size) - Upper Arms



5704-H10 '55-57 CHEVY (GM FULL-SIZE) UPPER ARMS (PAIR)

■ '64-72 Chevelle (A-Body) - Mark II Upper Arms



5704-A10 '64-72 CHEVELLE (A-BODY) UPPER ARMS (PAIR)

■ '70-81 Camaro, 1975-79 Nova - Upper Arms



5704-F20 '70-81 CAMARO, '75-79 NOVA UPPER ARMS (PAIR)

FRONT SUSPENSION

gStreet Bolt-On Front Lower A-Arms

gStreet lower A-arms feature rigid tubular construction with a lowered shock mount position, compared to other aftermarket arms, to accommodate a longer shock body with

increased suspension travel. Control arm sets feature OEM-style balljoints, for use with factory or aftermarket spindles, and durable powder-coat finish.

■ COIL-OVER AND AIR-SPRING LOWER ARMS



5706-XXX - Coil-Over Suspension



5707-XXX - Air-Spring Suspension

■ '64-72 Chevelle (A-Body)



5705-A10 '64-72 CHEVELLE (A-BODY) LOWER ARMS (PAIR)

■ '67-69 Camaro (F-Body)



5705-F10 '67-69 CAMARO, '68-74 NOVA LOWER ARMS (PAIR)

■ '70-81 Camaro, 1975-79 Nova



5705-F20 '70-81 CAMARO, '75-79 NOVA LOWER ARMS (PAIR)

■ '55-57 Chevy (GM Full-Size)



5705-H10 '55-57 CHEVY (GM FULL-SIZE) LOWER ARMS (PAIR)

FRONT SUSPENSION

Wilwood Performance Brakes

FRONT BRAKES

Performance Front Discs

Wilwood's Performance Front Disc brake kit features rear-mounted, fixed, 6-piston calipers and 13x1.10", directional-vaned, slotted rotors with billet-aluminum hats and hubs. The kit is designed for use with OEM spindles and requires 17" - or-larger wheels.



Street Front Discs

Our front disc brake kit features fixed, four piston, forged aluminum calipers and 10.75", 11.00", 11.75", or 12.19" x .81" vented rotors (size dependent upon application), with billet aluminum hats and hubs. The kit is designed for use with OEM spindles and requires 14" (10.75" rotor), 15" (11.75" and 12.19" rotors) or larger wheels.



FORGED CALIPERS

Forged Superlite Caliper

Our performance front disc brake kit uses Wilwood's Forged Superlite SL6, 6-piston lug-mount, aluminum calipers for superior rigidity, enhanced braking performance and pedal feel.



Forged Dynalite Caliper

Our street front disc brake kit uses Wilwood's Forged Dynalite (FDL) 4-piston, aluminum, lug-mount caliper is used for its superior rigidity, enhanced braking performance and pedal feel.



HIGH-PERFORMANCE ROTORS

Performance Front Discs

The Performance Front Disc kit comes standard with GT-series, 13", directional-vaned, asymmetrical-slotted rotors measuring 13 x 1.10".



Street Front Discs

The Street Front Disc kit comes standard with HP-series vented, smooth-surface rotors measuring 10.75", 11.00", 11.75", or 12.19" x .81".

BILLET-ALUMINUM HAT AND HUB

Separate, billet-aluminum hats and hubs reduce unnecessary weight and allow components to be easily replaced.



REAR DISCS WITH PARKING BRAKE

14" and 13" Rear Discs with Parking Brake

The Performance 14" and 13" kits use Wilwood's SL4R four-piston, billet aluminum, radial mount caliper for its superior rigidity, enhanced braking performance and pedal feel.

Street 12.19" Rear Discs with Parking Brake

The Wilwood rear disc brake kit uses Forged Dynalite (FDL) four-piston, aluminum, lug mount caliper for its superior rigidity, enhanced braking performance and pedal feel.



TANDEM CHAMBER MASTER CYLINDERS

The Wilwood master cylinder is a direct-mount, high-quality upgrade designed for use with aftermarket brake systems. Master-cylinder bodies are die-cast using premium aluminum alloy. Exterior finishes; cast, bright, or black powder coat. Available with .88", 1.00" (manual) and 1.13" (power) bore sizes.



BRAKE SYSTEM ACCESSORIES

To complement our line of brake kits and components: braided-stainless, flex-line kit, proportioning valve, residual pressure valves, caliper-pressure gauge.



FRONT SUSPENSION

VariShock Bolt-In Shocks

"On the street or strip, VariShock offers the ultimate direct-replacement shock absorbers for cars and trucks!"

■ Stem Mount

This stem mount is threaded (3/8" D x 2-1/2" L) and is designed to fit into the existing upper mount of many vehicles.



■ Closed Crossbar

Our crossbars are produced in open and closed styles and use the urethane bushings with 350% more material, improving load distribution and extending bushing life.

■ Open Crossbar

Our crossbars are produced in open and closed styles and use the urethane bushings with 350% more material, improving load distribution and extending bushing life.

■ Pin Mount

Our pin mount comes in sizes to match many vehicles and uses the urethane bushings, which feature up to 350% more material, improving load distribution and extending bushing life.



SENSISET	QUICKSET 1	QUICKSET 2	RIDE	COMPRESS	EXTEND	TRAVEL	UPPER MOUNT	CODE	LOWER MOUNT	CODE
-	14122-615	14222-615	15.02"	11.94"	18.09"	6.15"	EYE 7/16" TO 1/2"	501	EYE 7/16" TO 1/2"	501
14044-715	14144-715	14244-715	14.40"	10.83"	17.98"	7.15"	STEM 3/8"	201	STEM 3/8"	700
14045-425	14145-425	14245-425	10.43"	8.30"	12.55"	4.25"	STEM 3/8"	201	CROSSBAR OPEN	300
14045-515	14145-515	14245-515	11.78"	9.20"	14.35"	5.15"	STEM 3/8"	201	CROSSBAR OPEN	300
-	14145-615	14245-615	13.28"	10.20"	16.35"	6.15"	STEM 3/8"	201	CROSSBAR OPEN	300
-	14146-515	14246-515	11.78"	9.20"	14.35"	5.15"	STEM 3/8"	201	CROSSBAR CLOSED	301
-	14146-615	14246-615	13.28"	10.20"	16.35"	6.15"	STEM 3/8"	201	CROSSBAR CLOSED	301
14047-425	14147-425	14247-425	9.96"	7.84"	12.09"	4.25"	STEM 3/8"	201	STUD PLATE	600
14047-515	14147-515	14247-515	11.31"	8.74"	13.89"	5.15"	STEM 3/8"	201	STUD PLATE	600
14047-615	14147-615	14247-615	12.81"	9.74"	15.89"	6.15"	STEM 3/8"	201	STUD PLATE	600
14049-715	14149-715	14249-715	14.78"	11.20"	18.35"	7.15"	STEM 3/8"	201	CANTILEVER PIN 1/2"	400
14049-825	14149-825	14249-825	16.43"	12.30"	20.55"	8.25"	STEM 3/8"	201	CANTILEVER PIN 1/2"	400
-	1414C-515	1424C-515	13.06"	10.49"	15.64"	5.15"	STEM 3/8"	201	CLEVIS FORK	800
14064-715	14164-715	14264-715	16.14"	12.57"	19.72"	7.15"	CROSSBAR CLOSED	301	STEM 3/8"	700
14067-425	14167-425	14267-425	11.70"	9.58"	13.83"	4.25"	CROSSBAR CLOSED	301	STUD PLATE	600
14069-715	14169-715	14269-715	16.52"	12.94"	20.09"	7.15"	CROSSBAR CLOSED	301	CANTILEVER PIN 1/2"	400
-	14188-425	14288-425	12.17"	10.04"	14.29"	4.25"	EYE 1/2" TO 11/16"	521	EYE 1/2" TO 11/16"	521
-	14188-715	14288-715	16.52"	12.94"	20.09"	7.15"	EYE 1/2" TO 11/16"	521	EYE 1/2" TO 11/16"	521
-	14188-825	14288-825	18.17"	14.04"	22.29"	8.25"	EYE 1/2" TO 11/16"	521	EYE 1/2" TO 11/16"	521

NOTES BOLT-IN FRONT SHOCKS ARE LARGER IN DIAMETER THAN THE HOLE IN THE LOWER A-ARM. THE LOWER A-ARM MUST BE DISCONNECTED FROM THE SPINDLE TO ALLOW INSTALLATION OF THE SHOCK INTO THE FRONT COIL SPRING. SOLD ONLY IN PAIRS.

■ Mount Codes

These codes define the style and range of mountings that attach the individual model numbers.

201	UPPER 3/8" -THREAD STEM X 2-1/8" LONG	501	7/16" BOLT X 1-1/4, 1-3/8, OR 3-3/8" SLEEVE WIDTH
300	OPEN CROSSBARS FOR 2-1/8 TO 2-1/2" BOLT CENTERS		12MM BOLT X 1-1/4, 1-1/2, OR 1-5/8" SLEEVE WIDTH
	7/16" BOLT X 1-1/4, 1-3/8, OR 3-3/8" SLEEVE WIDTH		1/2" BOLT X 1-5/16, 1-3/8, OR 1-5/8" SLEEVE WIDTH
	12MM BOLT X 1-1/4, 1-1/2, OR 1-5/8" SLEEVE WIDTH	521	12MM BOLT X 1-1/4, 1-1/2, OR 1-5/8" SLEEVE WIDTH
	1/2" BOLT X 1-1/4, 1-3/8, OR 1-5/8" SLEEVE WIDTH		1/2" BOLT X 1-1/4, 1-3/8, OR 1-5/8" SLEEVE WIDTH
301	CLOSED CROSSBARS FOR 2-3/8 TO 3" BOLT CENTERS		9/16" BOLT WITH 1-5/8" SLEEVE WIDTH
	5/8" BOLT X 1-1/4" SLEEVE WIDTH		5/8" BOLT WITH 1-5/16" SLEEVE WIDTH
400	CANTILEVER PIN 1/2" THREAD WITH 1-5/16" OFFSET		11/16" BOLT WITH 1-9/16" SLEEVE WIDTH
	7/16" BOLT X 1-1/4, 1-3/8, OR 3-3/8" SLEEVE WIDTH	600	5/16" STUD PLATES ON 2-1/8" CENTERS
	12MM BOLT X 1-1/4, 1-1/2, OR 1-5/8" SLEEVE WIDTH	700	LOWER 3/8" -THREAD STEM X 2-1/8" LONG
	1/2" BOLT X 1-1/4, 1-3/8, OR 1-5/8" SLEEVE WIDTH	800	CLEVIS FORK WITH 5/8" BORE X 2-3/4" WIDE

VariShock Bolt-In Shocks

■ VAS 14X22



Upper Mount:
Eye 7/16" to 1/2"

Lower Mount:
Eye 7/16" to 1/2"

Travel Lengths:
6.15"

■ VAS 14X44



Upper Mount:
Stem 3/8"

Lower Mount:
Stem 3/8"

Travel Lengths:
7.15"

■ VAS 14X45



Upper Mount:
Stem 3/8"

Lower Mount:
Crossbar Open

Travel Lengths:
4.25", 5.15", 6.15"

■ VAS 14X46



Upper Mount:
Stem 3/8"

Lower Mount:
Crossbar Closed

Travel Lengths:
5.15", 6.15"

■ VAS 14X47



Upper Mount:
Stem 3/8"

Lower Mount:
Stud Plate

Travel Lengths:
4.25", 5.15", 6.15"

■ VAS 14X49



Upper Mount:
Stem 3/8"

Lower Mount:
Cantilever Pin 1/2"

Travel Lengths:
7.15", 8.25"

■ VAS 14X4C



Upper Mount:
Stem 3/8"

Lower Mount:
Clevis Fork

Travel Lengths:
5.15"

■ VAS 14X64



Upper Mount:
Crossbar Closed

Lower Mount:
Stem 3/8"

Travel Lengths:
7.15"

■ VAS 14X67



Upper Mount:
Crossbar Closed

Lower Mount:
Stud Plate

Travel Lengths:
4.25"

■ VAS 14X69



Upper Mount:
Crossbar Closed

Lower Mount:
Cantilever Pin 1/2"

Travel Lengths:
7.15"

■ VAS 14X88



Upper Mount:
Eye 1/2" to 11/16"

Lower Mount:
Eye 1/2" to 11/16"

Travel Lengths:
4.25", 7.15", 8.25"

VariShock Bolt-In Shocks

Replace the "X" in the part number with a 1 when purchasing QuickSet 1 or a 2 for QuickSet 2 style shocks. Consult the factory for applications not shown.

■ BUICK		FRONT	REAR	
APOLLO	73-75	VAS 14X45-425	VAS 14X69-715	
REGAL	73-87	VAS 14X45-425	VAS 14X69-715	
SKYLARK	64-67	VAS 14X45-515	VAS 14X69-715	
	68-79	VAS 14X45-425	VAS 14X69-715	
■ CHEVY		FRONT	REAR	
BEL AIR	53-54	-	VAS 14X49-825	
	55-57	VAS 14X45-515	VAS 14X49-825	
	65-81	VAS 14X45-515	VAS 14X69-715	
CAMARO	67-69	VAS 14X45-425	VAS 14X49-715	
	70-81	VAS 14X45-515	VAS 14X64-715	
	82-02	SEE STRUTS	VAS 14X49-715	
CHEVELLE	64-67	VAS 14X45-515	VAS 14X69-715	
	68-77	VAS 14X45-425	VAS 14X69-715	
CORVETTE	53-62	-	VAS 14X49-715	
	63-82	VAS 14X45-515	VAS 14X28-425	
	84-87	VAS 14X46-515	VAS 14X28-425	
	89-96	VAS 14X46-515	VAS 14X46-515	
IMPALA	58-64	VAS BIH20-FX	VAS BIH20-RX	
	65-85	VAS 14X45-515	VAS 14X69-715	
MONTE CARLO	70-88	VAS 14X45-425	VAS 14X69-715	
NOVA, CHEVY II	62-67	VAS 14X47-615	VAS 14X49-715	
NOVA	68-79	VAS 14X45-425	VAS 14X69-715	
	C-10, C-1500	50-55	-	VAS 14X49-825
		55-59	VAS 14X88-715	-
		63-66	VAS 14X88-425	VAS 14X88-715
	67-72 COIL	VAS 14X88-425	VAS 14X22-615	
	67-72 LEAF	VAS 14X88-425	VAS 14X88-715	
	73-87	VAS 14X88-425	VAS 14X88-825	
87-99	VAS 14X45-515	-		
S-10, 2WD	82-93	VAS 14X45-425	-	
	94-01	VAS 14X45-425	-	
■ DODGE		FRONT	REAR	
CHALLENGER	70-74	VAS 14X45-615	VAS 14X88-825	
CHARGER	66-72	VAS 14X45-615	VAS 14X88-825	
	73-76	-	VAS 14X88-825	
CORONET	55-61	-	VAS 14X88-825	
	62-72	VAS 14X45-615	VAS 14X88-825	
	73-76	-	VAS 14X88-825	
DART, DEMON, SWINGER	60-61	-	VAS 14X88-825	
	62-76	VAS 14X45-615	VAS 14X88-825	
DAKOTA 2 WD	87-01	VAS 14X45-425	-	
■ FORD/MERCURY		FRONT	REAR	
COUGAR	67-70	VAS 14X67-425	VAS 14X44-715	
	71-73	VAS 14X47-425	VAS 14X44-715	
CYCLONE	64-67	VAS 14X45-515	VAS 14X49-825	
	68-71	VAS 14X47-515	VAS 14X44-715	

■ FORD/MERCURY		FRONT	REAR
F-150	48-52	VAS 14X88-715	-
	55	-	VAS 14X88-715
	56-60	-	VAS 14X49-715
	61-64	-	VAS 14X88-715
	80-96	VAS 14X45-515	-
	97-01	VAS 14X45-615	-
	FAIRLANE, FAIRLANE 500	57-58	VAS 14X45-515
59-62		VAS 14X45-515	-
62-65		-	VAS 14X44-715
66-70		VAS 14X47-515	VAS 14X44-715
FALCON, COMET	60-70	VAS 14X47-515	VAS 14X44-715
MAVERICK, COMET	69-77	VAS 14X67-425	VAS 14X49-715
MUSTANG	65-70	VAS 14X67-425	VAS 14X44-715
	71-73	VAS 14X47-425	VAS 14X44-715
	74-78	VAS 14X45-425	VAS 14X45-615
	79-02	SEE STRUTS	VAS 14X49-825
TORINO, MONTEGO	68-71	VAS 14X47-515	VAS 14X44-715
	72-76	VAS 14X45-515	VAS 14X49-715
■ OLDSMOBILE		FRONT	REAR
CUTLASS, CUTLASS SUPREME	64-67	VAS 14X45-515	VAS 14X69-715
	68-88	VAS 14X45-425	VAS 14X69-715
OMEGA	73-79	VAS 14X45-425	VAS 14X69-715
■ PLYMOUTH		FRONT	REAR
BARRACUDA	64-69	VAS 14X45-615	VAS 14X88-825
	70-74	VAS 14X45-615	VAS 14X88-825
BELVEDERE, SATELLITE	55-61	-	VAS 14X88-825
	62-72	VAS 14X45-615	VAS 14X88-825
	73-74	-	VAS 14X88-825
DUSTER, SCAMP, VALIANT	60-76	VAS 14X45-615	VAS 14X88-825
FURY	59-61	-	VAS 14X88-825
	62-64	VAS 14X45-615	VAS 14X88-825
	65-70	-	VAS 14X88-825
	75-76	-	VAS 14X88-825
FURY GRAN	74-77	-	VAS 14X88-825
■ PONTIAC		FRONT	REAR
FIREBIRD	67-69	VAS 14X45-425	VAS 14X49-715
	70-81	VAS 14X45-515	VAS 14X64-715
	82-02	-	VAS 14X49-715
GRAND PRIX	65-68	VAS 14X45-515	-
	69-87	VAS 14X45-425	VAS 14X69-715
GTO	64-67	VAS 14X45-515	VAS 14X69-715
	68-74	VAS 14X45-425	VAS 14X69-715
LE MANS, TEMPEST	64-67	VAS 14X45-515	VAS 14X69-715
	68-83	VAS 14X45-425	VAS 14X69-715
VENTURA & II	71-72	VAS 14X45-425	VAS 14X69-715

Due to deviations in ride height, you must verify that the application chart's suggested shock will actually fit your vehicle. Consult the dimensional chart on opposite page to determine that the selected shock's compressed length, extended length, and upper and lower mounts are correct for your vehicle.

'62-67 Chevy II Front Shock Conversions

Converting the stock front suspension of your 1962-67 Chevy II Nova or 1963-67 Pontiac Acadian to coil-over shocks is now a simple bolt-on procedure. Our exclusive modular shock-tower-adapter system and spherical-stem assembly gives you a choice of stock, raised or lowered ride heights and can be used for a broad variety of performance applications. The tower adapter and lower crossbar replace the factory shock mount and lower spring perch respectively. Lightweight billet-aluminum VariShock coil-overs are available in 16-position single-adjustable or 256-combination double-adjustable versions and provide 7-1/2" of suspension travel. Choice of spring rates range from 350 to 750 lb/in., suitable for street-friendly ride quality to pro-touring handling and drag race performance. A second set of different rate springs can also be selected as an option for tuning purposes. Kits include shocks, springs, tower adapters with reinforcement plates, and mounting hardware.



■ Coil-Over Conversion

VAS 86X10F0	FACTORY-VALVED, COIL-OVER CONVERSION
VAS 86X10F1	SINGLE-ADJUSTABLE, COIL-OVER CONVERSION
VAS 86X10F2	DOUBLE-ADJUSTABLE, COIL-OVER CONVERSION

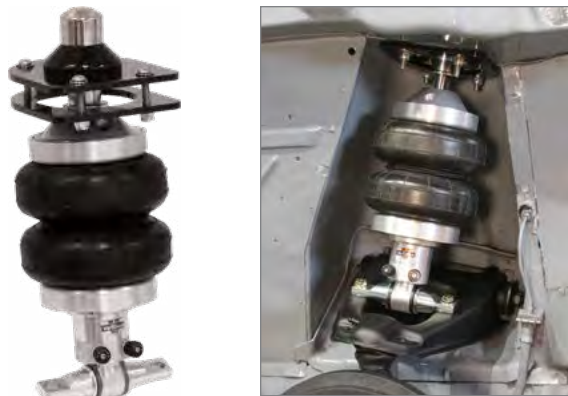
OPTIONS	
RIDE HEIGHT	2" LOWERED TO STOCK RIDE HEIGHT STOCK TO 2" RAISED RIDE HEIGHT
TOWER CAP	SHOCK TOWER CAP, POLISHED STAINLESS STEEL
SPRING RATE	450, 500, 550, 600, OR 675 LB/IN SPRINGS
ACCESSORIES	SPRING SEAT THRUST BEARINGS COIL-SPRING COMPRESSOR SPANNER WRENCH

- Bolt-in installation with OEM-style upper control arms
- Modular shock-tower adapters with choice of stock or lowered ride height
- Spring-rate specific to vehicle weight and performance application
- Greasable spherical-stem upper shock mount
- Heavy-duty urethane-bushed lower crossbar
- Available in 16-position single-adjustable or 256-combination double-adjustable versions

■ Air-Spring Conversion

VAS 13X10-F1	SINGLE-ADJUSTABLE, AIR-SPRING CONVERSION
VAS 13X10-F2	DOUBLE-ADJUSTABLE, AIR-SPRING CONVERSION

OPTIONS	
RIDE HEIGHT	2" LOWERED TO STOCK RIDE HEIGHT STOCK TO 2" RAISED RIDE HEIGHT
TOWER CAP	SHOCK TOWER CAP, POLISHED STAINLESS STEEL



VARISHOCK

Direct-Fit VariShock Coil-Over Struts

MUSTANG '79-04, CAMARO '82-92

- Directly replaces OEM strut
- 4130 strut body with double-adjustable valving
- Suitable for street or drag strip
- Coil-over conversion or OE-style coil spring

STYLE	HEIGHT	ITEM	TOTAL TRAVEL	EXTENDED LENGTH	RIDE-HEIGHT		
					MIN	MAX	
MUSTANG 79-04							
OEM SPRING	STOCK	VAS 172DL-156	7.0"	22.0"	17.8"	19.2"	
COIL-OVER	STOCK	VAS 872DL-156	7.0"	22.0"	17.8"	19.2"	
OEM SPRING	LOWERED	VAS 172DL-952	6.5"	20.0"	16.1"	17.4"	
COIL-OVER	LOWERED	VAS 872DL-952	6.5"	20.0"	16.1"	17.4"	
CAMARO 82-92							
OEM SPRING	LOWERED	VAS 172DP-952	6.5"	20.0"	16.1"	17.4"	
COIL-OVER	LOWERED	VAS 872DP-952	6.5"	20.0"	16.1"	17.4"	
NOTES	INCLUDES: STRUTS, SPRINGS, SPRING-SEATS, SPANNER WRENCH SOLD ONLY IN PAIRS						



Caster-camber plate not included.

12" Spring Rates



FRONT END WEIGHT	SPRING RATE
1175-1350 LB	150 LB/IN
1350-1500 LB	175 LB/IN
1500-1825 LB	200 LB/IN
1825-2200 LB	250 LB/IN

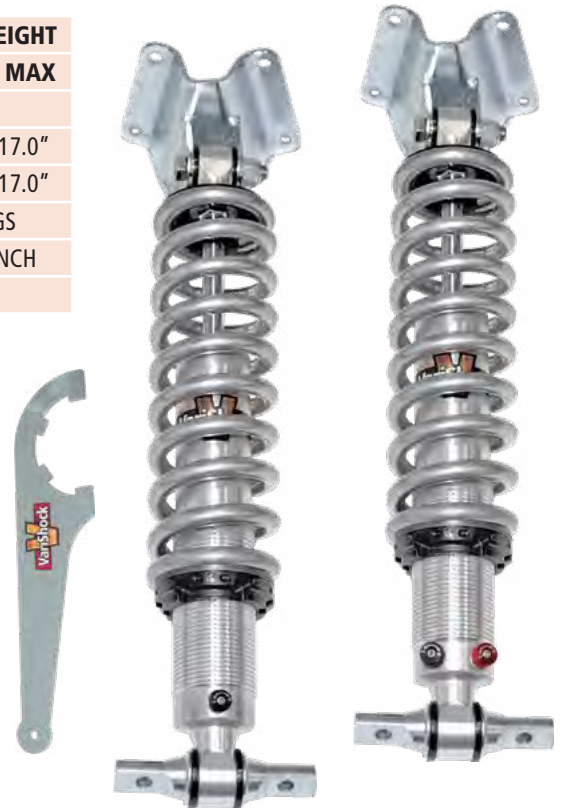
CAMARO '93-02

STYLE	VALVING	ITEM	TOTAL TRAVEL	EXTENDED LENGTH	RIDE-HEIGHT		
					MIN	MAX	
CAMARO 93-02							
OEM SPRING	SINGLE	VAS 8612F-834	4.25"	18.3"	15.5"	17.0"	
COIL-OVER	DOUBLE	VAS 8622F-834	4.25"	18.3"	15.5"	17.0"	
OPTIONS	SPRING RATE, SECOND SPRING SET, SPRING SEAT THRUST BEARINGS						
INCLUDES	SHOCKS, UPPER MOUNTS, SPRINGS, SPRING-SEATS, SPANNER WRENCH SOLD ONLY IN PAIRS						



12" Spring Rates

FRONT END WEIGHT	SPRING RATE
1400-1550 LB	350 LB/IN
1550-1700 LB	400 LB/IN
1700-1850 LB	450 LB/IN



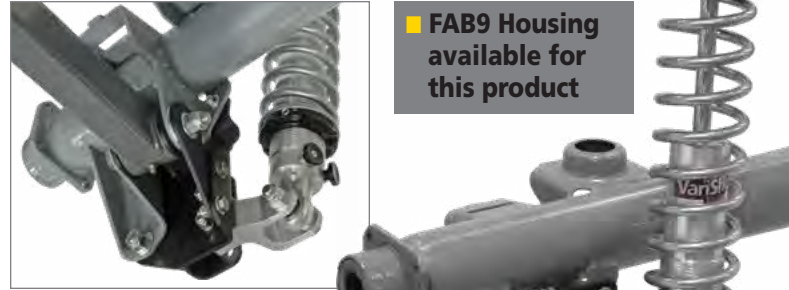
VARISHOCK

Direct-Fit Rear Coil-Over Conversions

■ CHEVELLE (A-BODY) '64-72

- Versatile options: street, strip or track
- VariShock coil-overs or air; 5" travel
- Pivot-stem and COM-8 shock ends
- Ride height adjustable lower mount
- Fits OEM, FAB9 housings and more

■ FAB9 Housing available for this product



5824-A10 CHEVELLE (A-BODY) '64-72, COIL-OVER REAR SHOCK CONVERSION

UPPER MOUNTS	WELD-IN CROSSMEMBER	
	BOLT-IN MOUNTS	
LOWER MOUNTS	AXLE BRACKETS	SHOCK CLEVIS
	MILD STEEL (WELD-ON)	BILLET-ALUMINUM
	4130 (WELD-ON)	
	OEM HOUSING (BOLT-ON)	STEEL TAB
		BILLET-ALUMINUM
SHOCKS	ADJUSTMENT	EYES
	FIXED (SS)	COM-8
	SINGLE (QS1)	COM-8
		PIVOT-BALL
	DOUBLE (QS2)	COM-8
		PIVOT-BALL
	4-WAY (Q4R)	COM-8
SPRINGS	100, 125, 150, 175, 200, 250, 300, 350, 400	



5851-A10 CHEVELLE (A-BODY) '64-72, AIR-SPRING REAR SHOCK CONVERSION

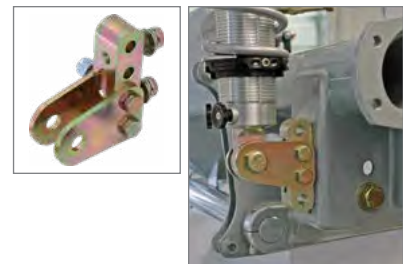


■ MUSTANG (FOX-BODY) '79-04

- Simple bolt-on installation
- Fits Ford 8.8" or FAB9 housing
- VariShock coil-overs; 5" travel
- Pivot-stem and COM-8 shock ends
- Lower mount ride height adjustment

5824-M40 MUSTANG (FOX-BODY) '79-04, COIL-OVER REAR SHOCK CONVERSION

SHOCKS	ADJUSTMENT	EYES
	SINGLE (QS1)	COM-8
	DOUBLE (QS2)	COM-8
SPRINGS	110, 125, 150, 175, 200, 250, 300, 350	
LOWER MOUNTS	OEM HOUSING	
	FAB9 HOUSING	



OEM Replacement Rear Arms (Poly Eye)

■ g-Bar Poly-Eye Upper Arms

- Tubular steel (1-1/4" OD) welded construction
- Billet-steel poly-bushing eye
- Length adjustable to correct pinion angle
- Fits OEM or aftermarket housings

MODEL	YEAR	LENGTH	ITEM
CHEVELLE (A-BODY)	64-67	12-7/8"	5820-A10
	68-72	10-5/16"	5820-A20



■ g-Bar Poly-Eye Lower Arms

- Fits OEM or aftermarket housings
- Billet-steel poly-bushing housing ends
- Box-tubing steel (1-1/2 x 2") welded construction

MODEL	YEAR	LENGTH	ITEM
CHEVELLE (A-BODY)	64-72	22"	5819-A10
MONTE CARLO (G-BODY)	78-87	19-5/16"	5819-G10



■ Billet g-Bar Poly-Eye Lower Arms

- Billet-aluminum construction
- Lightweight pocket-milled design
- Poly-urethane bushings with steel sleeve
- Fits OEM, FAB9 and aftermarket housings

MODEL	YEAR	LENGTH	ITEM
CAMARO (F-BODY)	82-02	19-5/16"	5815-F30
CHEVELLE (A-BODY)	64-72	22"	5815-A10



■ OEM Axle-Housing Bushings

- Poly-urethane bushings with steel sleeve
- Fits OEM, FAB9 or aftermarket housings



MODEL	YEAR	ITEM
CHEVELLE (A-BODY)	64	5834-A10-HU
	65-77	5834-A11-HU
MONTE CARLO (G-BODY)	78-88	5834-A11-HU

■ OEM Control-Arm Bushing Set

- Poly-urethane bushings with steel sleeve
- Fits OEM control arms



MODEL	YEAR	ITEM
CHEVELLE (A-BODY)	65-77	5834-A10-SU
MONTE CARLO (G-BODY)	78-88	

OEM Replacement Rear Arms (Pivot Eye)

■ g-Link Pivot-Ball Upper Arms

- Low friction billet pivot-ball eye; polymer races
- Tubular steel (1-1/2" OD) welded construction
- Length adjustable to correct pinion angle
- Fits OEM or aftermarket housings



Single-Adjustable Arms

Double-Adjustable Arms
Broader adjustment range required for extremely lowered suspensions

SINGLE-ADJUSTABLE ARMS

CHEVELLE (A-BODY)	64-67	12-7/8"	5823-A10
	68-72	10-5/16"	5823-A20
MONTE CARLO (G-BODY)	78-87	11-1/8"	5823-G10

DOUBLE-ADJUSTABLE ARMS

CHEVELLE (A-BODY)	64-67	12-7/8"	5822-A10
	68-72	10-5/16"	5822-A20

■ g-Link Lower Control Arms

- Low friction billet pivot-ball eyes; polymer races
- Billet tube adapters increase strength at threads
- Tubular steel (1-1/2" OD) welded construction
- Length adjustable for wheelbase and alignment
- Fits OEM or aftermarket housings



MODEL	YEAR	LENGTH	ITEM
CHEVELLE (A-BODY)	64-72	22"	5826-A10

■ Billet-Aluminum Lower Control Arms

- Precise billet-aluminum construction
- Lightweight pocket-milled design
- Low-friction pivot-ball ends
- Fits OEM or aftermarket housings



MODEL	YEAR	LENGTH	ITEM
CHEVELLE (A-BODY)	64-72	22"	5816-A10
MONTE CARLO (G-BODY)	78-87	19-5/16"	5816-G10

■ OEM Axle-Housing Bearings

- Heavy-wall, billet-steel bearing housing
- Teflon-lined, stainless spherical bearings
- Precise control of housing movement
- Greatly Increased torque capacity



5834-A10-HB	SPHERICAL BEARINGS, '65-72 GM A- & '78-87 G-BODIES (2)
-------------	--

REAR SUSPENSION

OEM Replacement Rear Arms (Drag Race)

COMPETITION MOLY CONTROL ARMS

Upper Control Arms (up to 800 hp)

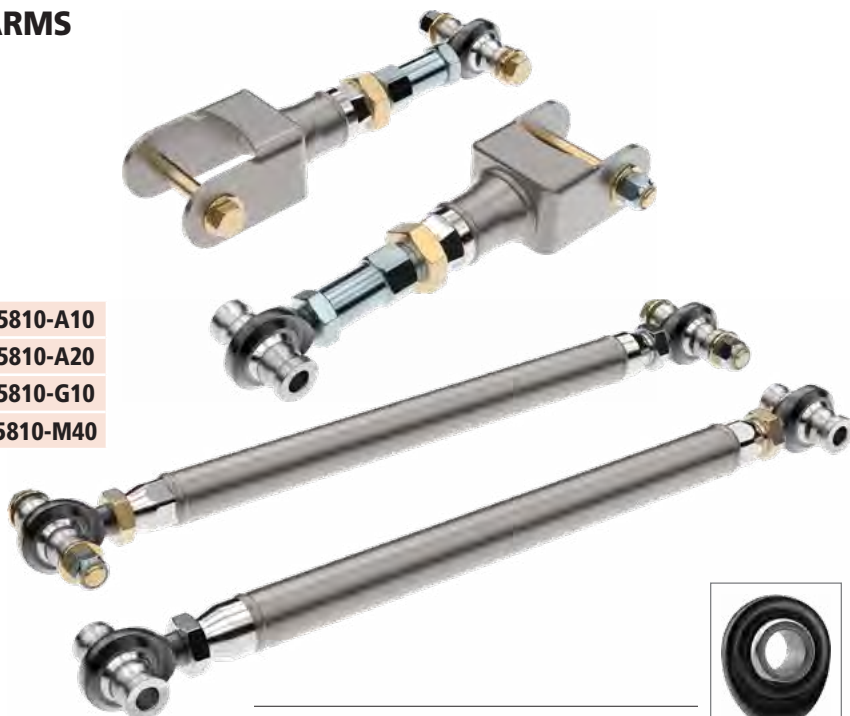
- 3/4-inch alloy-steel rod ends
- 1"-thread adjustment coupler
- 3/16"-thick, heavy-duty arm clevis
- Broad 1-3/4"-base welded bung

CHEVELLE (A-BODY)	64-67	12-7/8"	5810-A10
	68-72	10-5/16"	5810-A20
MONTE CARLO (G-BODY)	78-87	11-1/8"	5810-G10
MUSTANG (FOX BODY)	79-04	9-13/32"	5810-M40

Lower Control Arms (up to 800 hp)

- 1-1/4" OD 4130 steel tubing
- 3/4-inch alloy steel rod end
- Billet tube adapters
- Fits OEM or aftermarket housings

CHEVELLE (A-BODY)	64-72	22"	5809-A10
	78-87	19-5/16"	5809-G10
MUSTANG (FOX BODY)	79-98	17-11/16"	5809-M40
	99-04	17-11/16"	5809-M60



Competition Moly Rod Ends

BODY	2-PC HEAT TREATED ALLOY STEEL
SHANK	3/4" -16 THREAD
RATING	25,000 LB ULTIMATE STATIC LOAD



PRO POWER CONTROL ARMS

Upper Control Arms

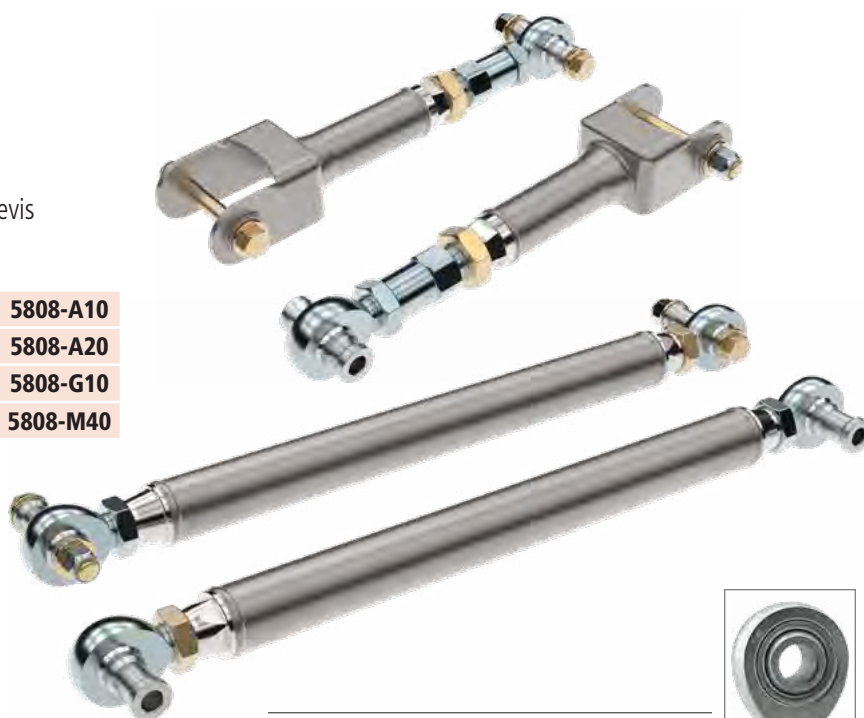
- 7/8-inch alloy-steel rod ends
- 1"-thread, 4130 adjustment coupler
- 3/16"-thick, reinforced, heavy-duty arm clevis
- Broad 1-3/4"-base welded bung

CHEVELLE (A-BODY)	64-67	12-7/8"	5808-A10
	68-72	10-5/16"	5808-A20
MONTE CARLO (G-BODY)	78-87	11-1/8"	5808-G10
MUSTANG (FOX BODY)	79-04	9-13/32"	5808-M40

Lower Control Arms

- 1-5/8" OD 4130 steel tubing
- 7/8-inch alloy steel rod ends
- Billet tube adapters
- Offset spacers; increased tire clearance

CHEVELLE (A-BODY)	64-72	22"	5807-A10
	78-87	19-5/16"	5807-G10
MUSTANG (FOX BODY)	79-98	17-11/16"	5807-M40
	99-04	17-11/16"	5807-M60



ProPower Rod Ends

BODY	3-PC HEAT TREATED ALLOY STEEL
SHANK	7/8" -14 THREAD
RATING	55,696 LB ULTIMATE STATIC LOAD



Adjustable Rear Anti-Roll Bar

NEW PRODUCT

CHEVELLE (GM A-BODY) - TUBULAR REAR ANTI-ROLL BAR

- Multiple endlink positions; adjusts understeer, oversteer
- Lightweight, 1-1/8" -diameter tubular construction
- U-bolt or welded-bracket mounting hardware
- Fits OEM, FAB9 or aftermarket housings
- Billet-aluminum bushing housings
- Adjustable length endlinks; eliminate preload

MODEL	YEAR	STYLE	BAR DIA.	ITEM
CHEVELLE (GM A-BODY)	64-67	BOLT-ON	1-1/8"	5825-A10-18-AU
		WELD-ON		5825-A10-18-AW
		FAB9		5825-A10-18-AF
	68-72	BOLT-ON		5825-A20-18-AU
		WELD-ON		5825-A20-18-AW
		FAB9		5825-A20-18-AF



FAB9 Housing available for this product



ANTI-ROLL BAR MOUNTS

U-Bolt Mount Set (Bolt-On)

- Bolts onto 3" -diameter axle tube
- Billet-aluminum clamp assembly
- Greasable urethane bushings
- Clean, hidden hardware design



5835-A1DU-4816 U-BOLT 3" AXLE MOUNT FOR 1" BAR
 5835-A1DU-4818 U-BOLT 3" AXLE MOUNT FOR 1-1/8" BAR

Bracket Mount Set (Weld-On)

- Welds to 3" -diameter axle tube
- Eliminates over-axle U-bolt
- Greasable urethane bushings
- Clean, hidden hardware design



5835-A1DW-4818 WELD-ON 3" AXLE MOUNT FOR 1-1/8" BAR

Bushing and Mount (FAB9)

5835-A1DF-4818 BILLET HOUSINGS, 1-1/8" BUSHINGS (ONLY)

OEM Leaf Spring FAB9 Housings

FAB9 LEAF-SPRING HOUSINGS



Paintable bare metal



General Motors Housings

MODEL	YEAR	STEEL	ENDS	WIDTH	MIN.	ITEM
CAMARO (F-BODY)	67-69	MILD	SGM	59.50"	58.00"	84F10-106
		MILD	LBFS	59.50"	54.50"	84F10-101
	70-81	MILD	SGM	60.50"	59.50"	84F20-106
		MILD	LBFS	60.50"	57.00"	84F20-101
CHEVY	55-57	MILD	SGM	59.50"	58.50"	84H10-106
		MILD	LBFS	59.50"	56.50"	84H10-101
NOVA (CHEVY II)	62-67	MILD	SGM	57.50"	57.00"	84X10-106
		MILD	LBFS	57.50"	54.50"	84X10-101
NOVA (X-BODY)	68-74	MILD	SGM	59.50"	58.00"	84F10-106
		MILD	LBFS	59.50"	54.50"	84F10-101
OPTIONS	FOLDED BACK BRACE (SHOWN ABOVE)					
	NARROWED IN 1/2" INCREMENTS TO MINIMUM WIDTH					

Ford-Mercury Housings

MODEL	YEAR	STEEL	ENDS	WIDTH	MIN.	ITEM
MUSTANG	64-66	MILD	LBFS	56.75"	54.75"	84M10-101
		4130	LBFS	56.75"	54.75"	84M10-111
	67-70	MILD	LBFS	58.75"	56.75"	84M20-101
		4130	LBFS	58.75"	56.75"	84M20-111
	71-73	MILD	LBFS	60.25"	58.25"	84M30-101
		4130	LBFS	60.25"	58.25"	84M30-111
COUGAR	67-70	MILD	LBFS	58.75"	56.75"	84M20-101
		4130	LBFS	58.75"	56.75"	84M20-111
OPTIONS	TORQUE ARM MOUNTS (FITS TCP TA2F9-33, TCP TA2F9-36)					
	FOLDED BACK BRACE					
	NARROWED IN 1/2" INCREMENTS TO MINIMUM WIDTH					

FAB9 CONSTRUCTION



OEM 4-Link FAB9 Housings

■ MUSTANG '79-04

■ Street / Strip FAB9s



Paintable bare metal

YEAR	MOUNT	STEEL	ENDS	WIDTH	MIN.	ITEM
79-93	POLY	MILD	Lbfd	58.50"	54.00"	84M40-207
		4130	Lbfd	58.50"	54.00"	84M40-217
	COM-8	MILD	Lbfd	58.50"	54.00"	84M40-307
		4130	Lbfd	58.50"	54.00"	84M40-317
94-98	POLY	MILD	Lbfd	60.00"	58.50"	84M50-207
		4130	Lbfd	60.00"	58.50"	84M50-217
	COM-8	MILD	Lbfd	60.00"	58.50"	84M50-307
		4130	Lbfd	60.00"	58.50"	84M50-317

YEAR	MOUNT	STEEL	ENDS	WIDTH	MIN.	ITEM
99-04	POLY	MILD	Lbfd	61.50"	60.00"	84M60-207
		4130	Lbfd	61.50"	60.00"	84M60-217
	COM-8	MILD	Lbfd	61.50"	60.00"	84M60-307
		4130	Lbfd	61.50"	60.00"	84M60-317

OPTIONS LIST (COVERS 79-04)

- 12MM OR 14MM LOWER ARM BOLT SIZE
- FOLDED BACK BRACE
- NARROWED IN 1/2" INCREMENTS TO MINIMUM WIDTH

■ Drag Race / Pro Street FAB9s (with Anti-Roll Bar Mount)

YEAR	MOUNT	STEEL	ENDS	WIDTH	MIN.	ITEM
79-93	POLY	MILD	Lbfd	58.50"	54.00"	84M40-407
		4130	Lbfd	58.50"	54.00"	84M40-417
	COM-8	MILD	Lbfd	58.50"	54.00"	84M40-507
		4130	Lbfd	58.50"	54.00"	84M40-517
94-98	POLY	MILD	Lbfd	60.00"	58.50"	84M50-407
		4130	Lbfd	60.00"	58.50"	84M50-417
	COM-8	MILD	Lbfd	60.00"	58.50"	84M50-507
		4130	Lbfd	60.00"	58.50"	84M50-517

YEAR	MOUNT	STEEL	ENDS	WIDTH	MIN.	ITEM
99-04	POLY	MILD	Lbfd	61.50"	60.00"	84M60-407
		4130	Lbfd	61.50"	60.00"	84M60-417
	COM-8	MILD	Lbfd	61.50"	60.00"	84M60-507
		4130	Lbfd	61.50"	60.00"	84M60-517

OPTIONS LIST (COVERS 79-04)

- BILLET SHOCK MOUNTS FOR ANTI-ROLL BAR BRACKETS
- 12MM OR 14MM LOWER ARM BOLT SIZE
- NARROWED IN 1/2" INCREMENTS TO MINIMUM WIDTH



Paintable bare metal



■ Anti-Roll Bar

5806-M40	ANTI-ROLL BAR, 79-04 MUSTANG (FOX BODY)
INCLUDES	1-1/4" SPLINED-END BAR, BILLET-ALUMIUM ARMS, POLYMER BEARINGS, ADJUSTABLE ENDLINKS, CHASSIS MOUNTS
NOTE	AVAILABLE WITH MOUNTS FOR NON-FAB9 INSTALL



REAR SUSPENSION

OEM 4-Link FAB9 Housings

■ CHEVELLE '64-72 (A-BODY)

■ Street / Pro Touring FAB9s



Paintable bare metal

YEAR	MOUNT	STEEL	ENDS	WIDTH	MIN.	ITEM
64-67	POLY	MILD	SGM	59.50"	57.00"	84A10-206
			LBFS	59.50"	54.50"	84A10-201
		4130	SGM	59.50"	57.00"	84A10-216
			LBFS	59.50"	54.50"	84A10-211
	COM-8	MILD	SGM	59.50"	57.00"	84A10-306
			LBFS	59.50"	54.50"	84A10-301
		4130	SGM	59.50"	57.00"	84A10-316
			LBFS	59.50"	54.50"	84A10-311

OPTIONS LIST

- FOLDED BACK BRACE
- NARROWED IN 1/2" INCREMENTS TO MINIMUM WIDTH

YEAR	MOUNT	STEEL	ENDS	WIDTH	MIN.	ITEM
68-72	POLY	MILD	SGM	60.50"	57.50"	84A20-206
			LBFS	60.50"	56.50"	84A20-201
		4130	SGM	60.50"	57.50"	84A20-216
			LBFS	60.50"	56.50"	84A20-211
	COM-8	MILD	SGM	60.50"	57.50"	84A20-306
			LBFS	60.50"	56.50"	84A20-301
		4130	SGM	60.50"	57.50"	84A20-316
			LBFS	60.50"	56.50"	84A20-311

OPTIONS LIST

- FOLDED BACK BRACE
- NARROWED IN 1/2" INCREMENTS TO MINIMUM WIDTH

■ Drag Race / Pro Street FAB9s (with Anti-Roll Bar Mount)

YEAR	MOUNT	STEEL	ENDS	WIDTH	MIN.	ITEM
64-67	POLY	MILD	LBFD	59.50"	54.50"	84A10-407
		4130	LBFD	59.50"	54.50"	84A10-417
	COM-8	MILD	LBFD	59.50"	54.50"	84A10-507
		4130	LBFD	59.50"	54.50"	84A10-517

OPTIONS LIST

- BILLET SHOCK MOUNTS FOR ANTI-ROLL BAR BRACKETS
- FOLDED BACK BRACE
- NARROWED IN 1/2" INCREMENTS TO MINIMUM WIDTH

YEAR	MOUNT	STEEL	ENDS	WIDTH	MIN.	ITEM
68-72	POLY	MILD	LBFD	60.50"	56.50"	84A20-407
		4130	LBFD	60.50"	56.50"	84A20-417
	COM-8	MILD	LBFD	60.50"	56.50"	84A20-507
		4130	LBFD	60.50"	56.50"	84A20-517

OPTIONS LIST

- BILLET SHOCK MOUNTS FOR ANTI-ROLL BAR BRACKETS
- FOLDED BACK BRACE
- NARROWED IN 1/2" INCREMENTS TO MINIMUM WIDTH



Paintable bare metal

■ Anti-Roll Bar

5806-A10	'64-67 CHEVELLE (A-BODY)
5806-A20	'68-72 CHEVELLE (A-BODY)

INCLUDES	1-1/4" SPLINED-END BAR, BILLET-ALUMINIUM ARMS, POLYMER BEARINGS, ADJUSTABLE ENDLINKS, CHASSIS MOUNTS
NOTE	AVAILABLE WITH MOUNTS FOR NON-FAB9 INSTALL

OEM 4-Link FAB9 Housings

MONTE CARLO '78-88 (G-BODY)

Street / Pro Touring FAB9s



Paintable bare metal



Improved Axle Bracket

The FAB9 axle bracket relocates the shock mount to allow use of wider tires, enable the housing to be narrowed more, and to gusset the control arm mount.



YEAR	MOUNT	STEEL	ENDS	WIDTH	MIN.	ITEM
78-88	POLY	MILD	SGM	57.25"	56.75"	84G10-206
			LBFS	57.25"	56.25"	84G10-201
	4130	MILD	SGM	57.25"	56.75"	84G10-216
			LBFS	57.25"	56.25"	84G10-211

OPTIONS LIST

- FOLDED BACK BRACE
- NARROWED IN 1/2" INCREMENTS TO MINIMUM WIDTH

YEAR	MOUNT	STEEL	ENDS	WIDTH	MIN.	ITEM
78-88	COM-8	MILD	SGM	57.25"	56.75"	84G10-306
			LBFS	57.25"	56.25"	84G10-301
	4130	MILD	SGM	57.25"	56.75"	84G10-316
			LBFS	57.25"	56.25"	84G10-311

OPTIONS LIST

- FOLDED BACK BRACE
- NARROWED IN 1/2" INCREMENTS TO MINIMUM WIDTH

Drag Race / Pro Street FAB9s (with Anti-Roll Bar Mount)

MODEL	YEAR	MOUNT	STEEL	ENDS	WIDTH	MIN.	ITEM
MONTE CARLO (G-BODY)	78-88	POLY	MILD	LBFD	57.75"	55.25"	84G10-407
		COM-8	MILD	LBFD	57.75"	55.25"	84G10-507
		POLY	4130	LBFD	57.75"	55.25"	84G10-417
		COM-8	4130	LBFD	57.75"	55.25"	84G10-517

- OPTIONS
- BILLET SHOCK MOUNTS FOR ANTI-ROLL BAR BRACKETS
 - FOLDED BACK BRACE
 - NARROWED IN 1/2" INCREMENTS TO MINIMUM WIDTH



Paintable bare metal



Anti-Roll Bar

5806-G10	ANTI-ROLL BAR, 78-87 MONTE CARLO (G-BODY)
INCLUDES	1-1/4" SPLINED-END BAR, BILLET-ALUMIUM ARMS, POLYMER BEARINGS, ADJUSTABLE ENDLINKS, CHASSIS MOUNTS
NOTE	AVAILABLE WITH MOUNTS FOR NON-FAB9 INSTALL

OEM 4-Link Coil-Over Conversion FAB9s

■ CHEVELLE '64-72 (A-BODY)

■ Pro-Touring / Street FAB9s (with Adjustable-Rate Anti-Roll Bar Option)

YEAR	MOUNT	STEEL	ENDS	WIDTH	MIN.	ITEM
64-67	POLY	MILD	LBFS	59.50"	54.50"	84A10-A01
			SGM	59.50"	56.00"	84A10-A06
	COM-8	MILD	LBFS	59.50"	54.50"	84A10-B01
			4130	LBFS	59.50"	54.50"

YEAR	MOUNT	STEEL	ENDS	WIDTH	MIN.	ITEM
68-72	POLY	MILD	LBFS	60.50"	56.50"	84A20-A01
			SGM	60.50"	57.50"	84A10-A06
	COM-8	MILD	LBFS	60.50"	56.50"	84A20-B01
			4130	LBFS	60.50"	56.50"

INCLUDES	HOUSING HARDWARE, BILLET LOWER SHOCK MOUNTS
OPTIONS	FOLDED BACK BRACE (INSTALLED)
	TUBULAR ANTI-ROLL BAR MOUNTS
	BOLT-IN UPPER SHOCK MOUNTS

Paintable bare metal



■ Pro-Touring / Street Anti-Roll Bar

5825-A10-18-AF	64-67 CHEVELLE (A-BODY) PRO-TOURING ANTI-ROLL BAR
5825-A20-18-AF	68-72 CHEVELLE (A-BODY) PRO-TOURING ANTI-ROLL BAR
INCLUDES	1-1/8" TUBULAR ADJUSTABLE-RATE BAR, ADJUSTABLE ENDLINKS, BILLET-MOUNTS, URETHANE BUSHINGS
NOTE	AVAILABLE WITH MOUNTS FOR NON-FAB9 INSTALL



■ Pro Street / Drag Race FAB9s (with Billet Anti-Roll Bar Option)

YEAR	MOUNT	STEEL	ENDS	WIDTH	MIN.	ITEM
64-67	POLY	MILD	LBFD	59.50"	54.50"	84A10-C07
			4130	LBFD	59.50"	54.50"
	COM-8	MILD	LBFS	59.50"	54.50"	84A10-D01
			4130	LBFD	59.50"	54.50"

YEAR	MOUNT	STEEL	ENDS	WIDTH	MIN.	ITEM
68-72	POLY	MILD	LBFD	60.50"	56.50"	84A20-C07
			4130	LBFD	60.50"	56.50"
	COM-8	MILD	LBFS	60.50"	56.50"	84A20-D01
			4130	LBFD	60.50"	56.50"

INCLUDES	FOLDED BACK BRACE (INSTALLED), ANTI-ROLL BAR BRACKET WITH WHEELIE BAR MOUNTS, HOUSING HARDWARE, BILLET LOWER SHOCK MOUNTS
OPTIONS	BOLT-IN UPPER SHOCK MOUNTS

Paintable bare metal



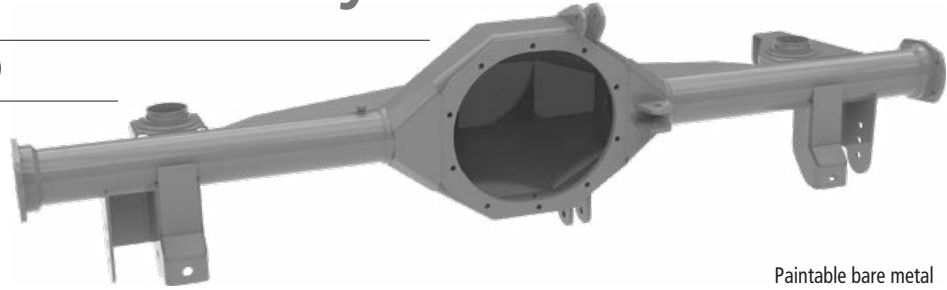
■ Anti-Roll Bar

5806-A10	'64-67 CHEVELLE (A-BODY)	INCLUDES	1-1/4" SPLINED-END BAR, BILLET-ALUMIUM ARMS, POLYMER BEARINGS, ADJUSTABLE ENDLINKS, CHASSIS MOUNTS
5806-A20	'68-72 CHEVELLE (A-BODY)	NOTE	AVAILABLE WITH MOUNTS FOR NON-FAB9 INSTALL

OEM Torque Arm FAB9 System

■ CAMARO '82-02 (F-BODY)

■ Street / Pro Touring FAB9s



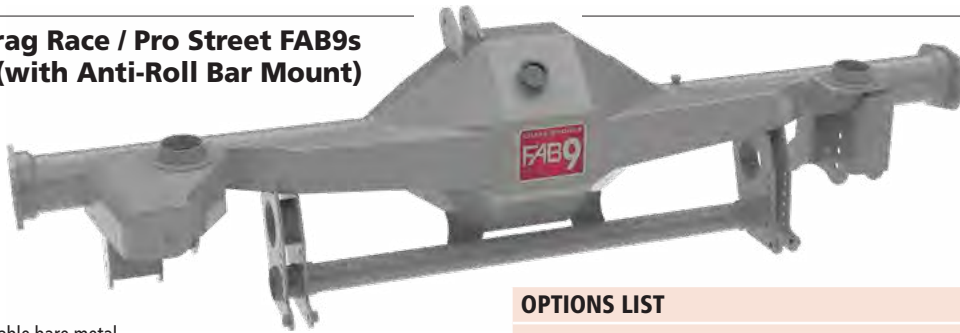
Paintable bare metal



YEAR	STEEL	ENDS	WIDTH	MIN.	ITEM
82-92	MILD	LBFS	62.00"	57.00"	84F30-E01
	4130	LBFS	62.00"	57.00"	84F30-E11
93-02	MILD	LBFS	65.00"	59.00"	84F40-E01
	4130	LBFS	65.00"	59.00"	84F40-E11

OPTIONS LIST
MOUNT FOR CHASSISWORKS TORQUE ARM
MOUNT FOR AFTERMARKET TORQUE ARM
FOLDED BACK BRACE
NARROWED IN 1/2" INCREMENTS TO MIN. WIDTH

■ Drag Race / Pro Street FAB9s (with Anti-Roll Bar Mount)



Paintable bare metal



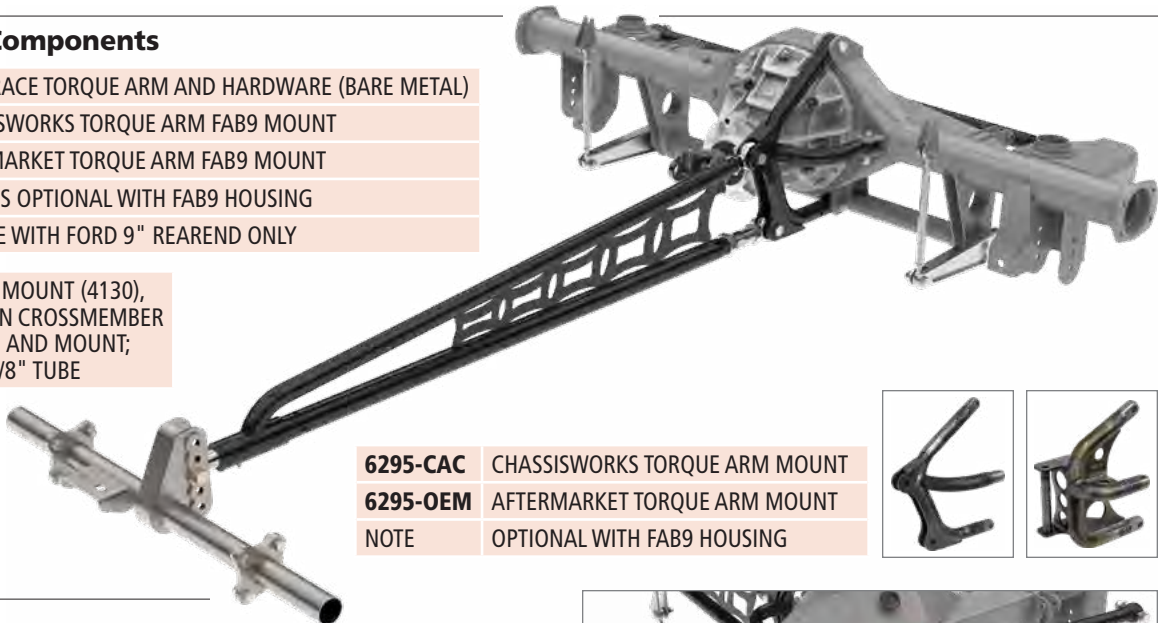
YEAR	STEEL	ENDS	WIDTH	MIN.	ITEM
82-92	4130	LBFS	62.00"	57.00"	84F30-F11
93-02	4130	LBFS	65.00"	59.00"	84F40-F11

OPTIONS LIST
BILLET SHOCK MOUNTS FOR ANTI-ROLL BAR
TORQUE ARM MOUNT (CHASSISWORKS, AFTERMARKET)
FOLDED BACK BRACE
NARROWED IN 1/2" INCREMENTS TO MIN. WIDTH

■ Torque Arm Components

6294	DRAG-RACE TORQUE ARM AND HARDWARE (BARE METAL)
6295-CAC	CHASSISWORKS TORQUE ARM FAB9 MOUNT
6295-OEM	AFTERMARKET TORQUE ARM FAB9 MOUNT
NOTES	MOUNTS OPTIONAL WITH FAB9 HOUSING FOR USE WITH FORD 9" REAREND ONLY

6296 TORQUE ARM MOUNT (4130), TRANSMISSION CROSSMEMBER PLATES (4130) AND MOUNT; REQUIRES 1-5/8" TUBE



6295-CAC	CHASSISWORKS TORQUE ARM MOUNT
6295-OEM	AFTERMARKET TORQUE ARM MOUNT
NOTE	OPTIONAL WITH FAB9 HOUSING



■ Anti-Roll Bar

5806-F30	ANTI-ROLL BAR, ARMS, ENDLINKS
INCLUDES	1-1/4" SPLINED-END BAR, BILLET-ALUMIUM ARMS, POLYMER BEARINGS, ADJUSTABLE ENDLINKS, CHASSIS MOUNTS
NOTE	AVAILABLE WITH MOUNTS FOR NON-FAB9 INSTALL



6296 PANHARD BAR, PIVOT-BALL DOUBLE-ADJUSTABLE (ALSO FITS OEM MOUNT), BARE METAL

Torque Arm Conversion - Custom-Fit

- Instantly applies torque to wheels
- Easier to 'steer with throttle'
- Tremendous cornering ability
- Improves overall braking
- Watts link lateral locator
- Works with mini-tubs
- Fits broad range of vehicles



■ Torque Arm Suspension

5857-U04	TORQUE ARM SYSTEM
OPTIONS	
TORQUE ARM	46", 49", 56" LENGTH (BARE METAL)
FRONT ARM PIVOT	POLY-BUSHING, SPHERICAL PIVOT-BALL
PINION MOUNT	FORD 9", ST-IRON, OR PRO-ALUMINUM
HOUSING MOUNTS	TORQUE ARM MOUNT TABS BOLT-ON WELD FIXTURE (FORD 9")
LOWER ARMS	TUBULAR STEEL, BILLET-ALUMINUM
SHOCKS	AIR-SPRINGS: SINGLE OR DOUBLE ADJ. COIL-OVERS: SINGLE, DOUBLE, 4-WAY SPRING RATE: 175, 200, 250 LB/IN
SPLINED-END ANTI-ROLL BAR	ASSEMBLED (34, 35, 36, 38, 39, 41") UNASSEMBLED (32" TO 43" WIDTH)
NOTE	FOR USE WITH FORD 9" REAREND ONLY

■ Torque Arm Chassis Mount

5858-U01	WELD-IN REMOVABLE CROSSMEMBER ONLY
-----------------	------------------------------------

■ FAB9™ Rear End Housings

84U02-L11	4130 FAB9 REAR END HOUSING
84U02-L01	MILD STEEL FAB9 REAR END HOUSING
OPTIONS	
WIDTH WITH ENDS	35.5" TO 55.5" IN 1/4" INCREMENTS
PINION OFFSET	CENTERED, 1/2" OR 1" TO PASSENGER-SIDE
LCA BRACKET WIDTH	25" TO 44" IN 1/2" INCREMENTS
HOUSING ADD ONS	HOUSING VENT (ALONG AXLE TUBE) FOLDED BACKBRACE
HOUSING END STYLE	LATE BIG FORD SEAL PROVISION PRO-TOURING FLOATER AXLE

■ Lower Control Arms



■ Anti-Roll Bar



■ Shock Options



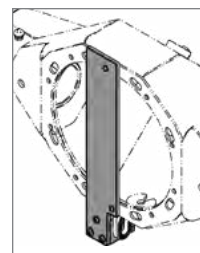
■ Arm Pivots



■ Pinion Mount



■ Weld Fixture



Torque Arm Conversion - '64-72 Chevelle

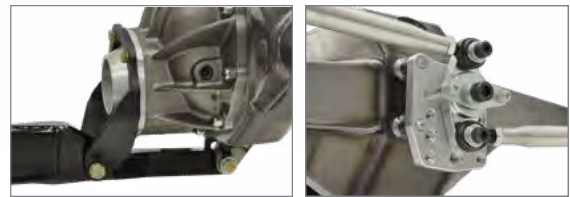
- Torque-Arm Watts-Link Suspension
- Exceptional Overall Handling
- Direct-Fit Install



Shown with optional parts

■ Torque Arm Suspension

5857-A10-02	'64-67 CHEVELLE (A-BODY)
5857-A20-02	'68-72 CHEVELLE (A-BODY)
INCLUDES	WATTS LINK (BARE), SUSPENSION LINKS, TORQUE ARM (BARE), BILLET LOWER SHOCK MOUNTS, COIL-OVERS
NOTE	FOR USE WITH FORD 9" REAREND ONLY



OPTIONS LIST

UPPER SHOCK MOUNT	BOLT-IN MOUNT, WELD-IN CROSSMEMBER
FRONT ARM PIVOT	POLY-BUSHING, SPHERICAL PIVOT-BALL
CHASSIS MOUNT	TORQUE-ARM CROSSMEMBER
PINION MOUNT	FORD 9", ST-IRON, OR PRO-ALUMINUM
HOUSING MOUNTS	TORQUE ARM MOUNT TABS
	BOLT-ON WELD FIXTURE
	LOWER ARM AXLE BRACKETS
LOWER ARMS	TUBULAR STEEL OR BILLET ALUMINUM
SHOCKS	AIR-SPRINGS: SINGLE OR DOUBLE ADJ.
	COIL-OVERS: SINGLE, DOUBLE, 4-WAY
	SPRING RATE: 175, 200, 250 LB/IN
SWAYBAR	SPLINED-END TUBULAR ANTI-ROLL BAR

■ FAB9 Rear End Housings

YEAR	STEEL	ENDS	WIDTH	MIN.	ITEM
64-67	MILD	LBFS	59.50"	56.00"	84A10-L01
		PTF	59.50"	56.50"	84A10-L0B
	4130	LBFS	59.50"	56.00"	84A10-L11
		PTF	59.50"	56.50"	84A10-L1B
68-72	MILD	LBFS	60.50"	56.00"	84A20-L01
		PTF	60.50"	56.50"	84A20-L0B
	4130	LBFS	60.50"	56.00"	84A20-L11
		PTF	60.50"	56.50"	84A20-L1B

OPTIONS LIST

- FOLDED BACK BRACE
- NARROWED IN 1/4" INCREMENTS TO MINIMUM WIDTH

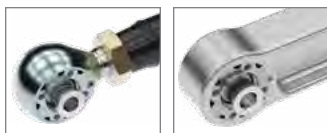
■ Upper Shock Mounts



■ Front Arm Pivots



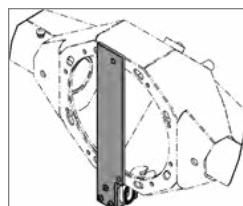
■ Lower Control Arms



■ Pinion Mount



■ Weld Fixture



■ Shock Options



■ Anti-Roll Bar

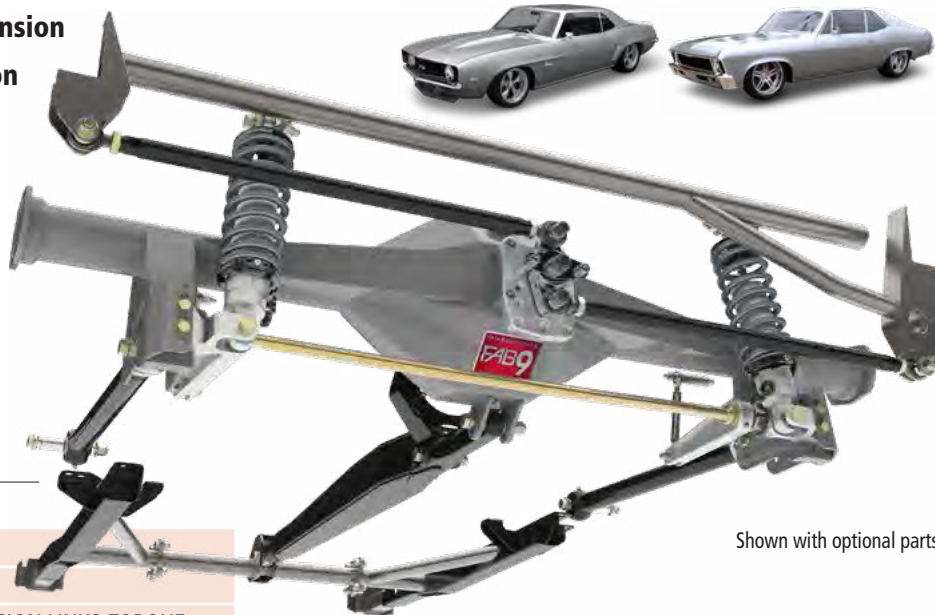
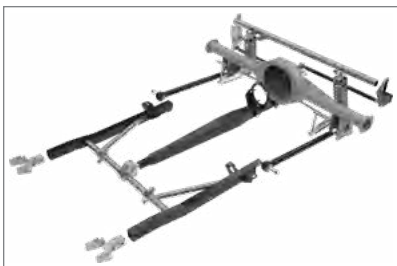
- Tubular Bar
- Adjustable Rate



REAR SUSPENSION

Torque Arm Conversion - '67-69 Camaro, '68-72 Nova

- Torque-Arm Watts-Link Suspension
- OEM or Mini-Tub Configuration
- Exceptional Overall Handling
- Direct-Fit Install



Shown with optional parts

■ Torque Arm Suspension

5857-F10-02	'67-69 CAMARO (F-BODY)
5857-X20-02	'68-72 NOVA (X-BODY)
INCLUDES	WATTS LINK (BARE), SUSPENSION LINKS, TORQUE ARM (BARE), SHOCK MOUNTS, COIL-OVERS
NOTE	FOR USE WITH FORD 9" REAREND ONLY

OPTIONS LIST

SWAYBAR	SPLINED ANTI-ROLL BAR (OEM, MINI-TUB)
SHOCKS	AIR-SPRINGS: SINGLE OR DOUBLE ADJ.
	COIL-OVERS: SINGLE, DOUBLE, 4-WAY
	SPRING RATE: 110 TO 400 LB/IN
HOUSING MOUNTS	TORQUE ARM MOUNT TABS
	BOLT-ON WELD FIXTURE
	LOWER ARM AXLE BRACKETS
LOWER ARMS	CENTERED (OEM TUB), OFFSET (MINI-TUB)
CHASSIS MOUNT	TORQUE-ARM CROSSMEMBER
	SUBFRAME CONNECTOR SET
FRONT ARM PIVOT	POLY-BUSHING, SPHERICAL PIVOT-BALL
PINION MOUNT	FORD 9", ST-IRON, OR PRO-ALUMINUM

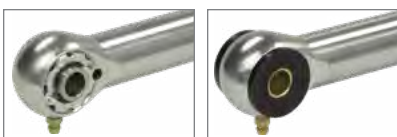
■ Anti-Roll Bar



■ Pinion Mount



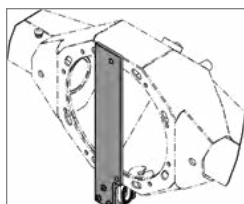
■ Front Arm Pivots



■ Lower Control Arms



■ Weld Fixture



■ FAB9 Rear End Housings (OEM Wheel Tubs)

FOR OEM WHEEL TUBS						
MODEL	YEAR	STEEL	ENDS	WIDTH	MIN.	ITEM
CAMARO	67-69	MILD	LBFS	59.50"	54.25"	84F10-L01
		4130	LBFS	59.50"	54.25"	84F10-L11
NOVA	68-72	MILD	LBFS	59.50"	54.25"	84F10-L01
		4130	LBFS	59.50"	54.25"	84F10-L11

FOR MINI WHEEL TUBS						
MODEL	YEAR	STEEL	ENDS	WIDTH	MIN.	ITEM
CAMARO	67-69	MILD	LBFS	59.50"	53.00"	84F10-M01
		MILD	PTF	59.50"	54.25"	84F10-M0B
		4130	LBFS	59.50"	53.00"	84F10-M11
NOVA	68-72	MILD	LBFS	59.50"	53.00"	84F10-M01
		MILD	PTF	59.50"	54.25"	84F10-M0B
		4130	LBFS	59.50"	53.00"	84F10-M11

OPTIONS LIST

- FOLDED BACK BRACE
- NARROWED IN 1/4" INCREMENTS TO MINIMUM WIDTH

■ Shock Options

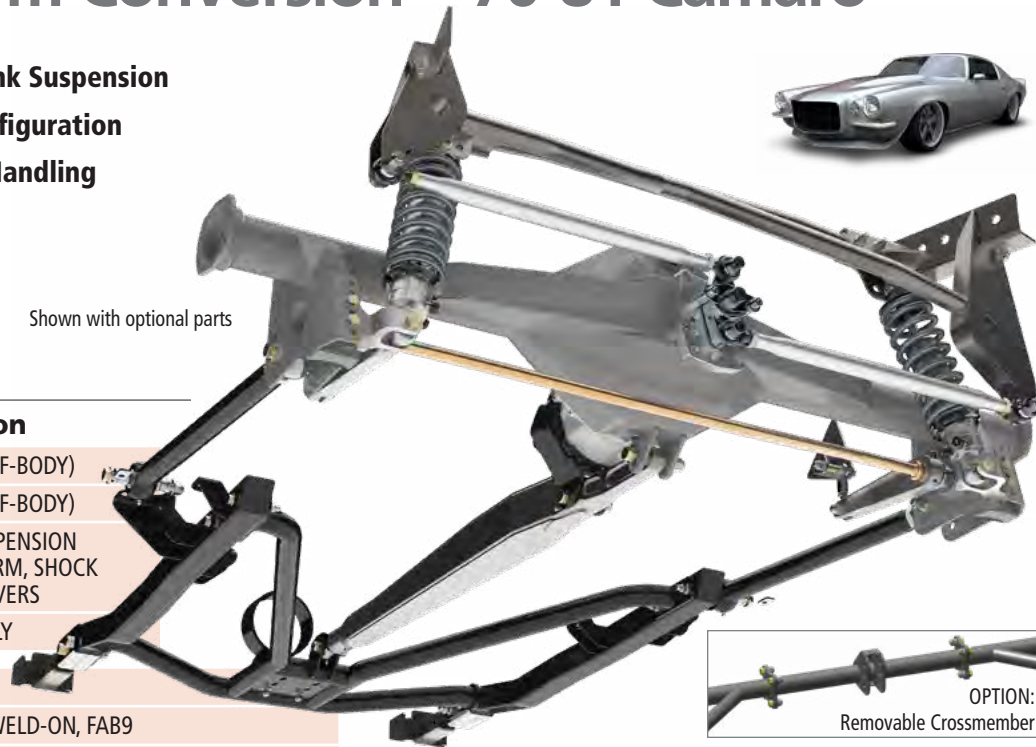


Torque Arm Conversion - '70-81 Camaro

- Torque-Arm Watts-Link Suspension
- OEM or Mini-Tub Configuration
- Exceptional Overall Handling
- Direct-Fit Install



Shown with optional parts



■ Torque Arm Suspension

5857-F21-02 '70-73 CAMARO (F-BODY)

5857-F22-02 '74-81 CAMARO (F-BODY)

INCLUDES WATTS LINK, SUSPENSION LINKS, TORQUE ARM, SHOCK MOUNTS, COIL-OVERS

NOTE USE FORD 9" ONLY

OPTIONS LIST

AXLE BRACKETS	BOLT-ON, WELD-ON, FAB9
SWAYBAR	SPLINED-END BAR (OEM, MINI-TUB)
SHOCKS	AIR-SPRINGS: SINGLE OR DOUBLE ADJ.
	COIL-OVERS: SINGLE, DOUBLE, 4-WAY
	SPRING RATE: 110 TO 400 LB/IN
HOUSING MOUNTS	TORQUE ARM MOUNT TABS
	BOLT-ON WELD FIXTURE
LOWER ARMS	CENTERED (OEM TUB), OFFSET (MINI-TUB)
LATERAL LOCATER	PANHARD BAR, WATTS LINK
FRONT ARM PIVOT	POLY-BUSHING, SPHERICAL PIVOT-BALL
PINION MOUNT	FORD 9", ST-IRON, OR PRO-ALUMINUM

■ FAB9 Rear End Housings (OEM Wheel Tubs)

FOR OEM WHEEL TUBS

MODEL	YEAR	STEEL	ENDS	WIDTH	MIN.	ITEM
CAMARO	70-81	MILD	LBFS	60.50"	55.25"	84F20-L01
		4130	LBFS	60.50"	55.25"	84F20-L11

FOR MINI WHEEL TUBS

MODEL	YEAR	STEEL	ENDS	WIDTH	MIN.	ITEM
CAMARO	70-81	MILD	LBFS	60.50"	53.00"	84F20-M01
		4130	LBFS	60.50"	53.00"	84F20-M11

OPTIONS LIST

- FOLDED BACK BRACE
- NARROWED IN 1/4" INCREMENTS TO MINIMUM WIDTH

■ Torque Arm Chassis Mounts

5925-F21 '70-73 G-CONNECTOR SYSTEM - OEM SUBFRAME

5926-F21 '70-73 G-CONNECTOR SYSTEM - CAC SUBFRAME

5925-F22 '74-81 G-CONNECTOR SYSTEM - OEM SUBFRAME

5926-F22 '74-81 G-CONNECTOR SYSTEM - CAC SUBFRAME

5906-F20 '70-81 G-CONNECTOR CENTER ONLY

5858-U01 WELD-IN REMOVABLE CROSSMEMBER ONLY

■ Shock Options



■ Anti-Roll Bar



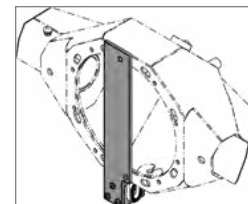
■ Pinion Mount



■ Front Arm Pivots



■ Weld Fixture

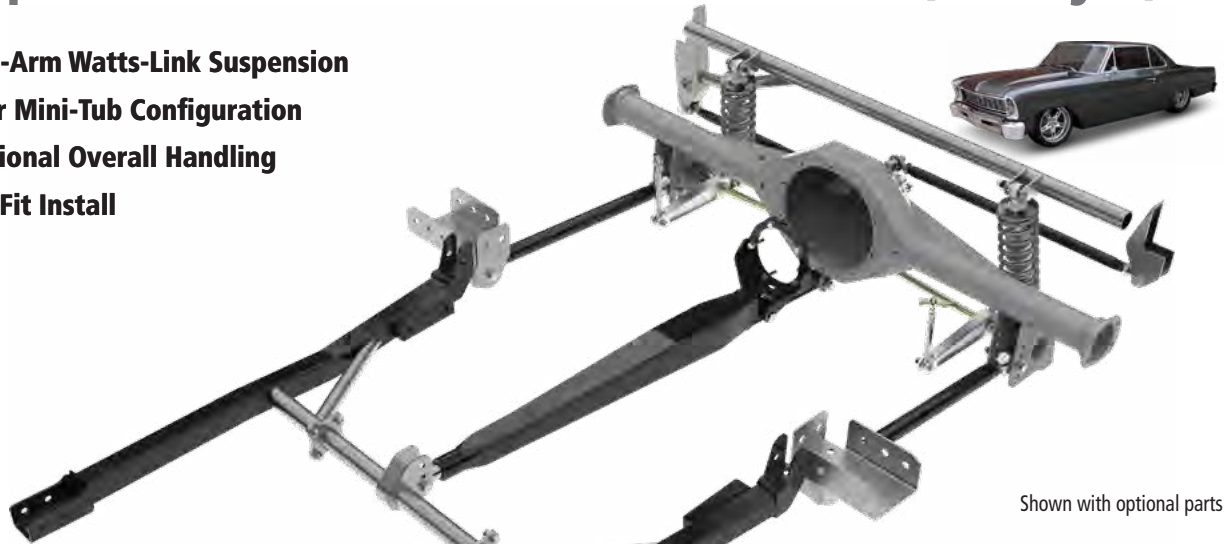


■ Lower Control Arms



Torque Arm Conversion - '62-67 Nova (Chevy II)

- Torque-Arm Watts-Link Suspension
- OEM or Mini-Tub Configuration
- Exceptional Overall Handling
- Direct-Fit Install



Shown with optional parts

■ Torque Arm Suspension

5857-X10-02	'62-67 NOVA (CHEVY II)
INCLUDES	WATTS LINK, SUSPENSION LINKS, TORQUE ARM, COIL-OVERS, SHOCK MOUNTS
NOTE	USE FORD 9" ONLY

SUSPENSION OPTIONS LIST

SWAYBAR	SPLINED ANTI-ROLL BAR (OEM, MINI-TUB)
SHOCKS	AIR-SPRINGS: SINGLE OR DOUBLE ADJ.
	COIL-OVERS: SINGLE, DOUBLE, 4-WAY
	SPRING RATE: 110 TO 400 LB/IN
HOUSING MOUNTS	TORQUE ARM MOUNT TABS
	BOLT-ON WELD FIXTURE
	LOWER ARM AXLE BRACKETS
LOWER ARMS	CENTERED (OEM TUB), OFFSET (MINI-TUB)
CHASSIS MOUNT	TORQUE-ARM CROSSMEMBER
	SUBFRAME CONNECTOR SET
FRONT ARM PIVOT	POLY-BUSHING, SPHERICAL PIVOT-BALL
PINION MOUNT	FORD 9", ST-IRON, OR PRO-ALUMINUM



■ FAB9 Rear End Housings (OEM Wheel Tubs)

FOR OEM WHEEL TUBS						
MODEL	YEAR	STEEL	ENDS	WIDTH	MIN.	ITEM
NOVA	62-67	MILD	LBFS	57.50"	53.50"	84X10-L01
		4130	LBFS	57.50"	53.50"	84X10-L11

FOR MINI WHEEL TUBS						
MODEL	YEAR	STEEL	ENDS	WIDTH	MIN.	ITEM
NOVA	62-67	MILD	LBFS	60.50"	51.00"	84X10-M01
		4130	LBFS	60.50"	51.00"	84X10-M11

OPTIONS LIST

- FOLDED BACK BRACE
- NARROWED IN 1/4" INCREMENTS TO MINIMUM WIDTH

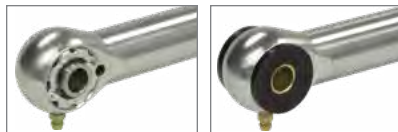
■ Anti-Roll Bar



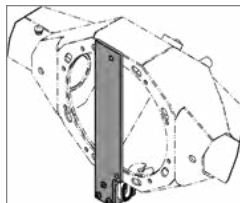
■ Pinion Mount



■ Front Arm Pivots



■ Weld Fixture



■ Lower Control Arms



■ Shock Options



g-Bar Suspensions for OEM 4-Link

■ g-Bar Suspension (Poly)



CHEVELLE (A-BODY)	64-67	5830-A10
	67-72	5830-A20
MONTE CARLO (G-BODY)	78-87	5830-G10
INCLUDES	BOXED-STEEL LOWER ARMS, ADJUSTABLE TUBULAR-STEEL UPPER ARMS, FACTORY-VALVED SHOCKS	
NOTE	PAINTABLE BARE METAL UPPER AND LOWER ARMS	

■ Billet g-Bar (Poly)



CHEVELLE (A-BODY)	64-67	5845-A10
	67-72	5845-A20
MONTE CARLO (G-BODY)	78-87	5845-G10
INCLUDES	BILLET-ALUMINUM LOWER ARMS, ADJUSTABLE TUBULAR-STEEL UPPER ARMS, FACTORY-VALVED SHOCKS	
NOTE	PAINTABLE BARE METAL UPPER ARMS	

■ OPTIONS - G-BAR SUSPENSIONS

■ Shocks



SS	FACTORY-VALVED, NON-ADJUSTABLE	VAS 14069-715
QS1	SINGLE-ADJUSTABLE, OVERALL STIFFNESS	VAS 14169-715
QS2	DOUBLE-ADJUSTABLE, BUMP/REBOUND	VAS 14269-715

■ Anti-Roll Bar



CHEVELLE (A-BODY)	U-BOLT	5825-A10-18-AU
	WELD-IN	5825-A10-18-AW
	FAB9	5825-A10-18-AF

■ Control Arm Brace

CHEVELLE (A-BODY)	64-67	5833-A10
	68-72	5833-A20



■ Upper Arm Housing Bushings

1964	POLY WITH STEEL SLEEVE (PAIR)	5834-A10-HU
65-87	POLY WITH STEEL SLEEVE (PAIR)	5834-A11-HU
	SPHERICAL BEARING (PAIR)	5834-A10-HB



g-Link Suspensions for OEM 4-Link

■ g-Link Suspension (Pivot)



CHEVELLE (A-BODY)	64-67	5831-A10
	67-72	5831-A20
MONTE CARLO (G-BODY)	78-87	5831-G10
INCLUDES	ADJUSTABLE TUBULAR-STEEL LOWER AND UPPER ARMS, FACTORY-VALVED SHOCKS	

■ Billet g-Link (Pivot)



CHEVELLE (A-BODY)	64-67	5848-A10
	67-72	5848-A20
MONTE CARLO (G-BODY)	78-87	5848-G10
INCLUDES	BILLET-ALUMINUM LOWER ARMS, ADJUSTABLE TUBULAR-STEEL UPPER ARMS, FACTORY-VALVED SHOCKS	

■ OPTIONS - G-LINK SUSPENSIONS

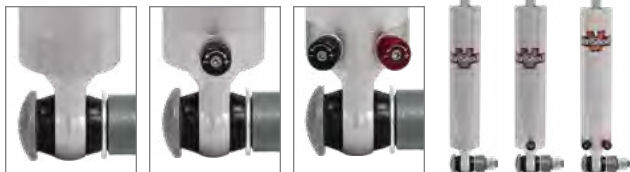
■ Upper Arms

- Single Adjustable
- Double Adjustable



CHEVELLE (A-BODY)	64-67	5823-A10	5822-A10
	67-72	5823-A20	5822-A20
MONTE CARLO (G)	78-87	5823-G10	5822-G10

■ Shocks



SS	FACTORY-VALVED, NON-ADJUSTABLE	VAS 14069-715
QS1	SINGLE-ADJUSTABLE, OVERALL STIFFNESS	VAS 14169-715
QS2	DOUBLE-ADJUSTABLE, BUMP/REBOUND	VAS 14269-715

■ Upper Arm Housing Bushings

1964	POLY WITH STEEL SLEEVE (PAIR)	5834-A10-HU
65-87	POLY WITH STEEL SLEEVE (PAIR)	5834-A11-HU
	SPHERICAL BEARING (PAIR)	5834-A10-HB

■ Anti-Roll Bar



CHEVELLE (A-BODY)	U-BOLT	5825-A10-18-AU
	WELD-IN	5825-A10-18-AW
	FAB9	5825-A10-18-AF

■ Control Arm Brace

CHEVELLE (A-BODY)	64-67	5833-A10
	68-72	5833-A20



g-Bar Conversion Suspensions for OEM 4-Link



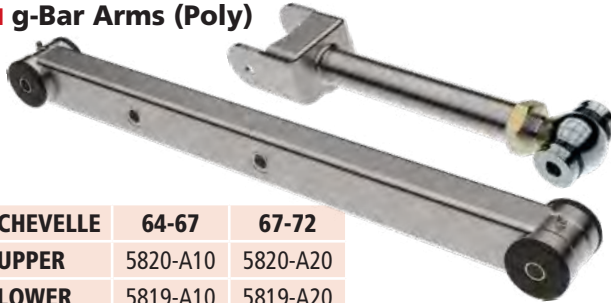
■ CHEVELLE (GM A-BODY)

YEAR	SHOCK	STYLE	LOWER ARM	ITEM
64-67	COIL-OVER	G-BAR (POLY)	STEEL	5827-A10
			ALUMINUM	5844-A10
		G-LINK (PIVOT)	STEEL	5828-A10
			ALUMINUM	5849-A10
	AIR-SPRING	G-BAR (POLY)	STEEL	5836-A10
			ALUMINUM	5846-A10
		G-LINK (PIVOT)	STEEL	5837-A10
			ALUMINUM	5850-A10

YEAR	SHOCK	STYLE	LOWER ARM	ITEM
68-72	COIL-OVER	G-BAR (POLY)	STEEL	5827-A20
			ALUMINUM	5844-A20
		G-LINK (PIVOT)	STEEL	5828-A10
			ALUMINUM	5849-A10
	AIR-SPRING	G-BAR (POLY)	STEEL	5836-A20
			ALUMINUM	5846-A20
		G-LINK (PIVOT)	STEEL	5837-A10
			ALUMINUM	5850-A10

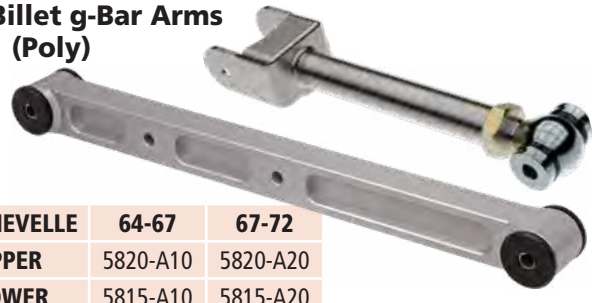
■ OPTIONS - CONTROL ARMS

■ g-Bar Arms (Poly)



CHEVELLE	64-67	67-72
UPPER	5820-A10	5820-A20
LOWER	5819-A10	5819-A20

■ Billet g-Bar Arms (Poly)



CHEVELLE	64-67	67-72
UPPER	5820-A10	5820-A20
LOWER	5815-A10	5815-A20

■ g-Link Arms (Pivot)



CHEVELLE		64-67	67-72
UPPER	SINGLE	5823-A10	5823-A20
	DOUBLE	5822-A10	5822-A20
LOWER	SINGLE	5826-A10	5826-A20

■ Billet g-Link Arms (Pivot)



CHEVELLE		64-67	67-72
UPPER	SINGLE	5823-A10	5823-A20
	DOUBLE	5822-A10	5822-A20
LOWER	SINGLE	5826-A10	5826-A20

g-Bar Conversion Suspensions for OEM 4-Link

OPTIONS - SHOCKS

Coil-Over Shocks



VAS 11111-515	SINGLE-ADJUSTABLE, OVERALL STIFFNESS
VAS 11211-515	DOUBLE-ADJUSTABLE, BUMP/REBOUND
VAS 11411-50*	4-WAY ADJUSTABLE, HIGH/LOW-SPEED
* Q4R SHOCK USES 10" SPRING LENGTH	

Coil Springs



ITEM	RATE (LB/IN)	LENGTH
VAS 21-12110	110	12"
VAS 21-12125	125	12"
VAS 21-12150	150	12"
VAS 21-12175	175	12"
VAS 21-12200	200	12"
VAS 21-12250	250	12"
VAS 21-12300	300	12"
VAS 21-12350	350	12"
VAS 21-12400	400	12"
VAS 21-10200	200	10"

Air-Spring Shocks



VAS 131K2-515	SINGLE ADJ.
VAS 132K2-515	DOUBLE ADJ.
NOTE	AIR MANAGEMENT SYSTEM REQUIRED

OPTIONS - SHOCK MOUNTS

Bolt-On Mounts



Upper -
Bolts to factory spring perch



Lower -
Bolts to 10- or 12-bolt housing



Weld-In Mounts



Upper -
Welds between frame rails

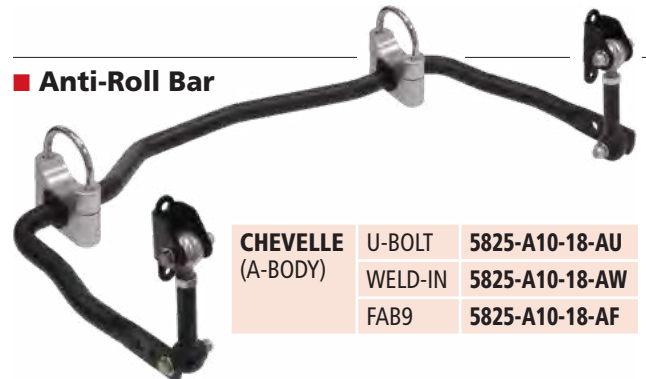


Lower -
Welds to axle tube; mild-steel and 4130 versions



OPTIONS - COMPONENTS

Anti-Roll Bar



CHEVELLE (A-BODY)	U-BOLT	5825-A10-18-AU
	WELD-IN	5825-A10-18-AW
	FAB9	5825-A10-18-AF



Control Arm Brace

CHEVELLE (A-BODY)	64-67	5833-A10
	68-72	5833-A20



Upper Arm Housing Bushings

1964	POLY WITH STEEL SLEEVE (PAIR)	5834-A10-HU
65-87	POLY WITH STEEL SLEEVE (PAIR)	5834-A11-HU
	SPHERICAL BEARING (PAIR)	5834-A10-HB



g-Link (Pivot-Ball) Suspension Systems

- Canted 4-Link Suspension
- Adjustable Geometry
- OEM or Mini-Tub
- Direct-Fit Install
- OEM or FAB9 Housing



■ Suspension Systems

MODEL	YEAR	COIL-OVER		AIR-SPRING	
		STOCK	MINI-TUB	STOCK	MINI-TUB
CAMARO	67-69	5804-F10	5804-F10	5805-F10	5805-F10
	70-73	5804-F21	5804-F21	5805-F21	5805-F21
	74-81	5804-F22	5804-F22	5805-F22	5805-F22
CHEVY II	62-67	5804-X10	5854-X10	5805-X10	5854-X10
NOVA	68-72	5804-X20	5804-X20	5805-X20	5805-X20

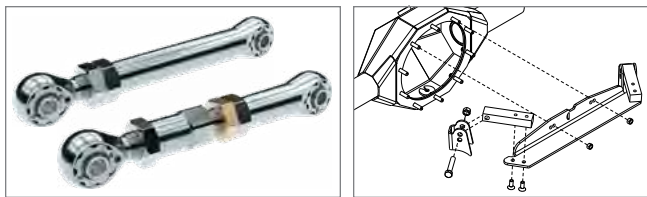
OPTIONS LIST

LOWER BRACKETS	BOLT-ON: LEAF-SPRING MOUNTS WELD-ON: EXISTING HOUSING, FAB9 (INSTALLED)
UPPER BRACKETS	WELD-ON: EXISTING HOUSING, FAB9 (INSTALLED) FIXTURE: FORD 9", 12-BOLT, 10-BOLT
ANTI-ROLL BAR	CHASSIS-MOUNT SLIDING-LINK (ADJUSTABLE) AXLE-MOUNT SPLINED-END (OEM, MINI-TUB)
SHOCK OPTIONS	AIR-SPRING POLY EYE (SINGLE-, DOUBLE-ADJUST) COIL-OVER COM-8 EYE (SINGLE, DOUBLE, 4-WAY) SPRING RATES: 110 TO 250 LB-IN
LOWER ARMS	CENTERED (OEM), OFFSET (MINI-TUB)
UPPER ARMS	SINGLE-, DOUBLE-ADJUSTABLE

■ Anti-Roll Bars



■ Upper Arms and Fixture



■ Lower Arms



■ Rear End Housings

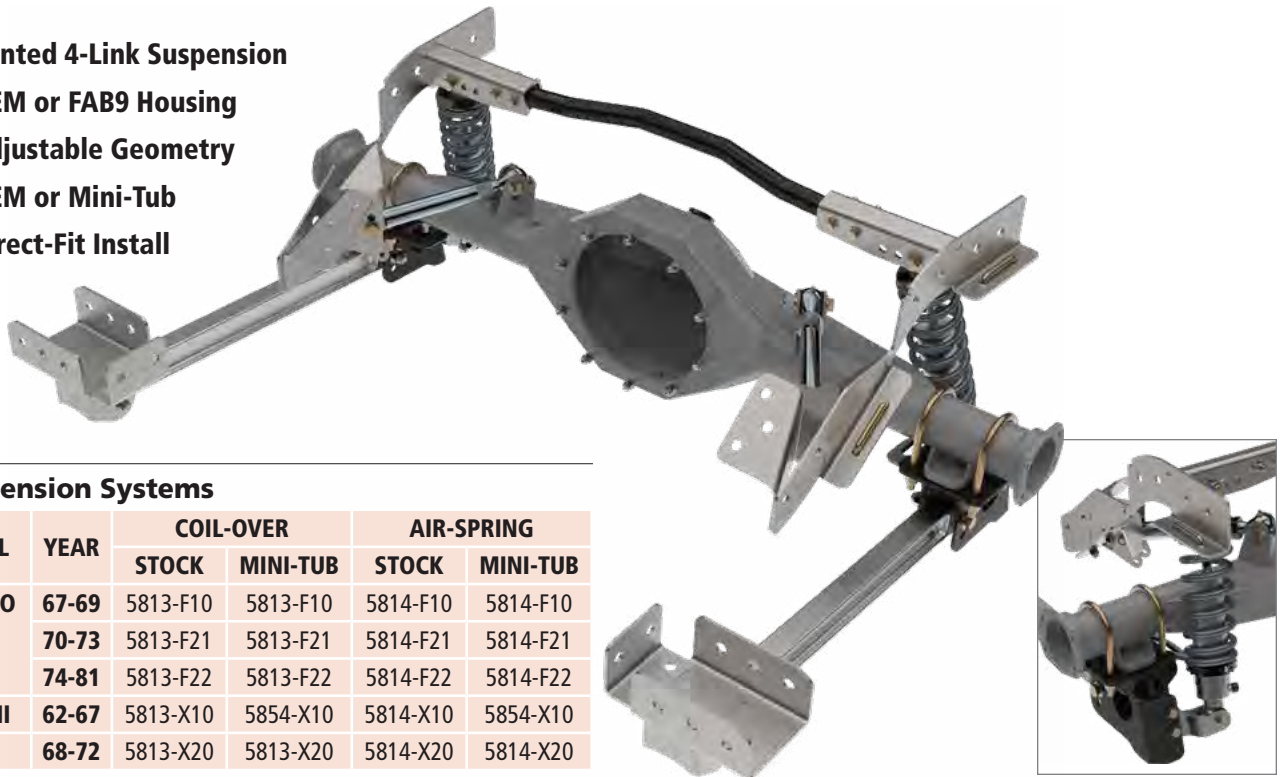
FAB9	FABRICATED FORD 9" HOUSINGS AVAILABLE IN STOCK AND NARROWED WIDTHS. REFER TO FAB9 PAGE AT END OF SECTION.
OEM	FORD AND GM HOUSINGS REQUIRE WELDING FOR INSTALL.

■ Shock Options



Billet g-Link (Pivot-Ball) Suspension Systems

- Canted 4-Link Suspension
- OEM or FAB9 Housing
- Adjustable Geometry
- OEM or Mini-Tub
- Direct-Fit Install



■ Suspension Systems

MODEL	YEAR	COIL-OVER		AIR-SPRING	
		STOCK	MINI-TUB	STOCK	MINI-TUB
CAMARO	67-69	5813-F10	5813-F10	5814-F10	5814-F10
	70-73	5813-F21	5813-F21	5814-F21	5814-F21
	74-81	5813-F22	5813-F22	5814-F22	5814-F22
CHEVY II	62-67	5813-X10	5854-X10	5814-X10	5854-X10
NOVA	68-72	5813-X20	5813-X20	5814-X20	5814-X20

SUSPENSION OPTIONS

LOWER BRACKETS	BOLT-ON: LEAF-SPRING MOUNTS WELD-ON: EXISTING HOUSING, FAB9 (INSTALLED)
UPPER BRACKETS	WELD-ON: EXISTING HOUSING, FAB9 (INSTALLED) FIXTURE: FORD 9", 12-BOLT, 10-BOLT
ANTI-ROLL BAR	CHASSIS-MOUNT SLIDING-LINK (ADJUSTABLE) AXLE-MOUNT SPLINED-END (OEM, MINI-TUB)
SHOCK OPTIONS	AIR-SPRING POLY EYE (SINGLE-, DOUBLE-ADJUST) COIL-OVER COM-8 EYE (SINGLE, DOUBLE, 4-WAY) SPRING RATES: 110 TO 250 LB-IN
LOWER ARMS	CENTERED (OEM), OFFSET (MINI-TUB)
UPPER ARMS	SINGLE-, DOUBLE-ADJUSTABLE

■ Anti-Roll Bars



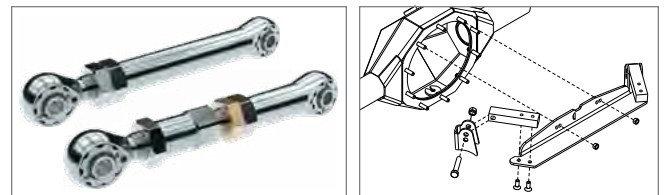
■ Rear End Housings

FAB9	FABRICATED FORD 9" HOUSINGS AVAILABLE IN STOCK AND NARROWED WIDTHS. REFER TO FAB9 PAGE AT END OF SECTION.
OEM	FORD AND GM HOUSINGS REQUIRE WELDING FOR INSTALL.

■ Shock Options



■ Upper Arms and Fixture

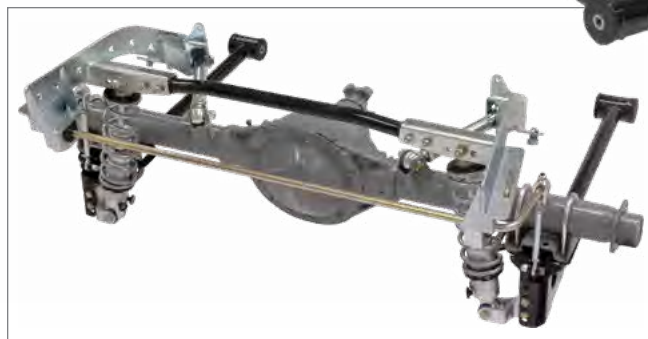


■ Lower Arms



g-Bar (Poly-Bushing) Suspension Systems

- Canted 4-Link Suspension
- OEM or FAB9 Housing
- Adjustable Geometry
- Direct-Fit Install



■ Suspension Systems

MODEL	YEAR	COIL-OVER	AIR-SPRING
		OEM-TUB	OEM-TUB
CAMARO	67-69	5800-F10	5801-F10
	70-73	5800-F21	5801-F21
	74-81	5800-F22	5801-F22
CHEVY II	62-67	5800-X10	5801-X10
NOVA	68-72	5800-X20	5801-X20

SUSPENSION OPTIONS

LOWER BRACKETS	BOLT-ON: LEAF-SPRING MOUNTS WELD-ON: EXISTING HOUSING, FAB9 (INSTALLED)
UPPER BRACKETS	WELD-ON: EXISTING HOUSING, FAB9 (INSTALLED) FIXTURE: FORD 9", 12-BOLT, 10-BOLT
ANTI-ROLL BAR	CHASSIS-MOUNT SLIDING-LINK (ADJUSTABLE) AXLE-MOUNT SPLINED-END
SHOCK OPTIONS	AIR-SPRING POLY EYE (SINGLE-, DOUBLE-ADJUST) COIL-OVER POLY EYE (PRESET, SINGLE, DOUBLE-ADJ)
SHOCK MOUNT	FABRICATED STEEL, BILLET ALUMINUM
UPPER ARM ADJUST	SINGLE-, DOUBLE-ADJUSTABLE

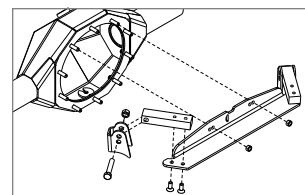
■ Anti-Roll Bars



■ Rear End Housings

FAB9	FABRICATED FORD 9" HOUSINGS AVAILABLE IN STOCK AND NARROWED WIDTHS. REFER TO FAB9 PAGE AT END OF SECTION.
OEM	FORD AND GM HOUSINGS REQUIRE WELDING FOR INSTALL.

■ Upper Arms and Fixture



■ Shock and Mount Options



■ Lower Arms



g-Link FAB9 Rearend Housings

- For g-Bar, g-Link and Billet g-Link Suspensions
- Fabricated Ford 9" Housing



■ OEM Tub FAB9s (Chassis-Mounted Anti-Roll Bar)

MODEL	YEAR	ENDS	WIDTH	MIN.	MILD STEEL	4130
CAMARO	67-69	LBFS	59.50"	54.25"	84F10-601	84F10-611
		SGM	59.50"	54.75"	84F10-606	84F10-616
	70-81	LBFS	60.50"	55.25"	84F20-601	84F20-611
CHEVY II	62-67	LBFS	57.50"	53.50"	84X10-601	84X10-611
NOVA	68-74	LBFS	59.50"	54.25"	84F10-601	84F10-611
		SGM	59.50"	54.75"	84F10-606	84F10-616

■ OEM Tub FAB9s (Housing-Mounted Anti-Roll Bar)

MODEL	YEAR	ENDS	WIDTH	MIN.	MILD STEEL	4130
CAMARO	67-69	LBFS	59.50"	54.25"	84F10-701	84F10-711
		SGM	59.50"	54.75"	84F10-706	84F10-716
	70-81	LBFS	60.50"	55.25"	84F20-701	84F20-711
CHEVY II	62-67	LBFS	57.50"	53.50"	84X10-701	84X10-711
NOVA	68-74	LBFS	59.50"	54.25"	84F10-701	84F10-711
		SGM	59.50"	54.75"	84F10-706	84F10-716

■ Mini Tub FAB9s (Housing-Mounted Anti-Roll Bar)

MODEL	YEAR	ENDS	WIDTH	MIN.	MILD STEEL	4130
CAMARO	67-69	LBFS	59.50"	53.00"	84F10-801	84F10-811
		SGM	59.50"	54.75"	84F10-806	-
		PTF	59.50"	53.50"	84F10-80B	-
	70-81	LBFS	60.50"	55.25"	84F20-801	84F20-811
PTF		60.50"	52.50"	84F20-80B	84F20-81B	
CHEVY II	62-67	LBFS	57.50"	51.00"	84X10-801	84X10-811
		PTF	57.50"	51.00"	84X10-80B	-
NOVA	68-74	LBFS	59.50"	53.00"	84F10-801	84F10-811
		SGM	59.50"	54.75"	84F10-806	-
		PTF	59.50"	53.50"	84F10-80B	-

Wheel Tubs

MINI WHEEL TUBS SETS

Mini-tubs will save you hours of work and effort when making room for larger rear tires. The wheel tubs replace the inner half of your factory wheel tubs with a newly stamped, 18-gauge steel tub. Additional clearance is 2" to 2-3/4", depending upon application, and will accommodate up to 315- or 335-section-width tires.

MODEL	YEAR	ITEM	DESCRIPTION	WIDTH	TIRE MAX.
CAMARO	67-68	5913-F10	MINI HALF TUB SET WITH CLOSEOUTS	2-3/4"	315 ON 11" RIM
	69				335 ON 12" RIM
	67-69	5913-F10-CAP	SHEET METAL CLOSEOUT SET ONLY	-	-
MUSTANG	64-70	5913-M10	MINI HALF TUB SET	2"	-
		5913-M10-CAP	FRAME RAIL INSERT AND GUSSET SET	-	-
ALL	-	6721	SPOT-WELD REMOVAL BITS (PAIR)	-	-
NOTES	REPLACES THE FACTORY INNER WHEEL TUBS ONLY				
	FABRICATION AND WELDING SKILLS REQUIRED FOR INSTALLATION				

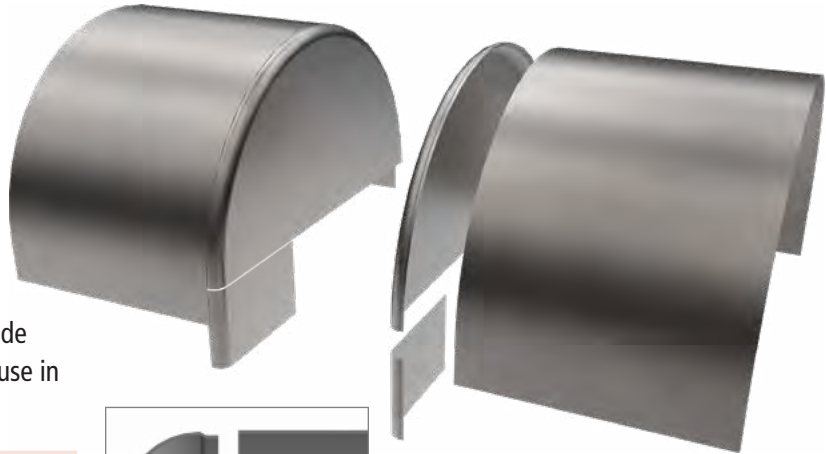


BUILDER WHEEL TUBS

- 18-Gauge Steel
- 1" Corner Radius
- Offset Overlap Seam

Designed for street or race car use, tub panels are made from 18-gauge (.050"-thickness) cold-rolled steel for improved durability and surface finish. Assembled tubs measure 21- or 25-inches wide with 34" or 40" diameter respectively; suitable for use in muscle cars, street rods, custom trucks, or race cars.

5907-34X21	BUILDER WHEEL TUBS, 34"-OD X 21"-WIDE (PAIR)
5907-40X25	BUILDER WHEEL TUBS, 40"-OD X 25"-WIDE (PAIR)
5907-EXT	END CAP EXTENSION, 7" TALL X 11" LONG (PAIR)



Offset tub-cap lip seats underneath edge of tub skin, creating an easy to align overlap joint with flush outer surface.

Contour Tracing Tool

This handy tool lets you trace an exact contour of the quarter panel onto the cardboard tub skin mock-up. Ships with builder tubs.



6707 CONTOUR TRACING TOOL

1/8" Clecos and Pliers

A must have for tin-installation jobs. Spring-loaded, reusable Clecos let you trial-fit your tin work before final installation. Includes 25 1/8" diameter Cleco fasteners and installation pliers.



6702 CLECO PLIERS AND CLECOS (SET OF 25)

9" Third-Member Packages

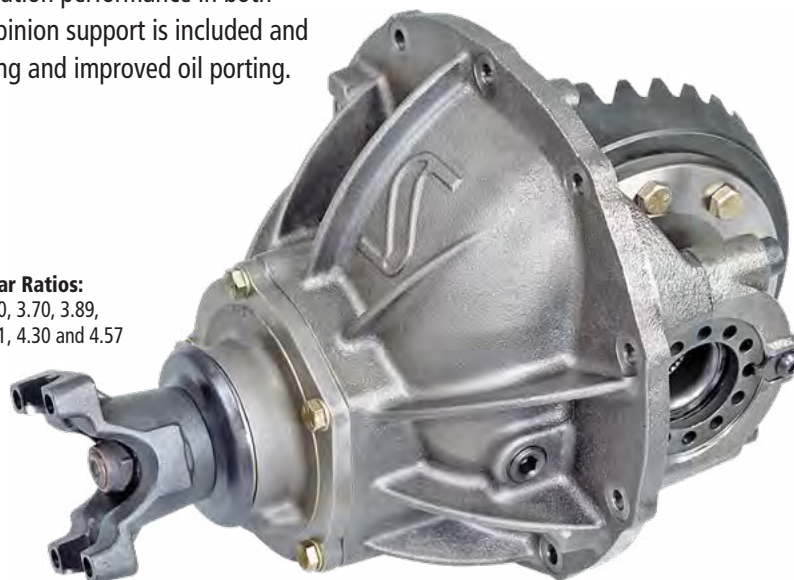
■ ST Iron Truetrac Package (Up to 700 hp, Case - 26.70 lb)

The ST Iron package is a completely assembled Ford 9" third member shipped ready to install. Cases are constructed from high-grade nodular iron and feature a radial ribbed design providing more uniform support for the pinion and carrier bearings. The caps, also nodular iron, are designed with increased thickness for added strength and ring-gear stability. Third members are equipped with Truetrac or S-Trac worm-gear differentials, with proven acceleration performance in both strip and handling applications. A Daytona-style iron pinion support is included and features a larger than stock rear tapered pinion bearing and improved oil porting.

- ST Iron Case (Nodular Iron)
- Dayton Pinion Support
- 1350 Chrome-moly Yoke
- Differential (31- or 35-spline)

8520-112	ST IRON PACKAGE (31-SPLINE)
	ST IRON NODULAR CASE
	31-SPLINE TRUETRAC DIFF. (HELICAL)
	8620 GEAR SET (3.50-4.57 RATIO)
	CHROME-MOLY 1350 YOKE
	DAYTONA IRON PINION SUPPORT

Gear Ratios:
3.50, 3.70, 3.89,
4.11, 4.30 and 4.57



8520-132	ST IRON PACKAGE (35-SPLINE)
	ST IRON NODULAR CASE
	35-SPLINE S-TRAC DIFF. (HELICAL)
	8620 GEAR SET (3.50-4.57 RATIO)
	CHROME-MOLY 1350 YOKE
	DAYTONA IRON PINION SUPPORT

■ Pro HD Aluminum Truetrac Package (Up to 1000 hp, Case - 31.50 lb)

The Pro HD package is a completely assembled Ford 9" third member shipped ready to install. Cases are constructed from 206-T4 heat treated aluminum and feature a radial ribbed design providing more uniform support for the pinion and carrier bearings. Billet aluminum caps are retained with 9/16" studs and are fully machined. The cap design provides the utmost support for the carrier bearings and significantly reduces ring gear deflection. Third members are equipped with Truetrac worm-gear differentials, with proven acceleration performance in both strip and handling applications. The billet aluminum pinion support has a unique oil channel that is machined 360 degrees into the support to maximize oil flow to the pinion bearings thru optimized porting holes, as well as a large slot milled into the front of the support to further boost oil circulation.

- Pro HD Aluminum Thru-Bolt Case
- Billet Aluminum Pinion Support
- 1350 Chrome-moly Yoke
- Differential (31- or 35-spline)

8520-319	PRO HD ALUMINUM PACKAGE (31)
	PRO HD ALUMINUM CASE
	31-SPLINE TRUETRAC DIFFERENTIAL
	8620 GEAR SET (3.50-4.57 RATIO)
	CHROME-MOLY 1350 YOKE
	BILLET ALUMINUM PINION SUPPORT

Gear Ratios:
3.50, 3.70, 3.89,
4.11, 4.30 and 4.57



8520-329	PRO HD ALUMINUM PACKAGE (35)
	PRO HD ALUMINUM CASE
	35-SPLINE S-TRAC DIFFERENTIAL
	8620 GEAR SET (3.50-4.57 RATIO)
	CHROME-MOLY 1350 YOKE
	BILLET ALUMINUM PINION SUPPORT

Custom Axle Packages

INDUCTION-HARDENED AXLE PACKAGES



Each axle begins as an SAE 1550 modified steel forging, which then undergoes spline hobbing and CNC machining to meet exact required specifications. To improve resistance to bending loads and wear, a post-machining process of electric coil induction hardening is performed. Induction hardening increases the hardness of the outer surface while maintaining a more ductile axle core, necessary for reliable street use. Both S/S and S/T axles feature precisely machined seats for 1.5635" bearings and special radius rings. The press-fit radius ring minimizes stress concentrations along the bearing shoulder and improves axle-flange stability. Bolt-on billet aluminum

brake registers are machined to size based on your particular brake and wheel requirements.

PKG AXLE STREET	AXLE PACKAGE, INDUCTION-HARDENED
AXLES	28-SPLINE (400 HP)
	31-SPLINE (500 HP)
	35-SPLINE (800 HP)
BEARING	SET 20 AXLE BEARING - 3.150 X 1.562
WHEEL STUDS	1/2 X 2" SCREW-IN, EXTENDS 1.63"
	1/2 X 3" SCREW-IN, EXTENDS 2.63"
FLANGE	DRILLED FLANGE ACCESS HOLE

S/S 28- & 31-Spline Axles

- 28-spline up to 400 hp
- 31-spline up to 500 hp

For street/handling performance applications, 31-spline S/S axles are recommended. S/S axles can be used with factory 2.891" -bore or aftermarket 3.0625" -bore cases with appropriate differential; posi-traction, torque sensing, locker or spool may be used.

S/S C-Clip Axles

- 30-spline up to 450 hp
- 31-spline up to 500 hp

The S/S C-clip axles are a direct replacement for OEM C-clip axles. Available in 30-spline for GM 12-bolt rearends (Camaro, Chevelle, Nova) and 31-spline for Ford 8.8" rearends ('94-04 Mustang).

S/T 35-Spline Axles

- up to 800 hp

For street/strip applications, the S/T axles feature a larger 1.50" -diameter 35-spline end that is better suited for the extreme levels of torque during launches. Requires 3.250" -bore case with appropriate gear carrier; locker or spool only.

Note: Horsepower ratings provide a guideline based on drag-race launches and adequate traction. Vehicles equipped with street tires and/or performance applications without drag-style launches (e.g., road racing/track days) can exceed listed power levels by a fair amount.

AXLE RETAINERS

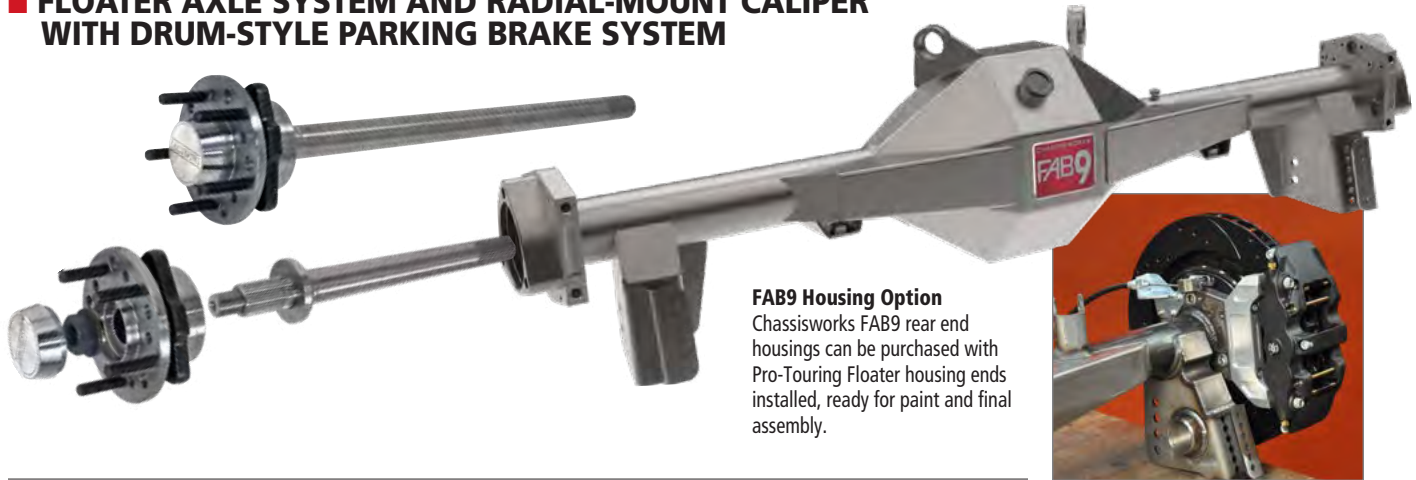
Precision laser-cut axle-bearing retainers are horseshoe shaped to allow the axle bearing to be installed before the retainers. Allows for fast and easy axle removal.



MAKE	HOUSING END	ITEM
FORD	BIG FORD (LATE/TORINO)	8025
	BIG FORD (EARLY)	8024
	SMALL FORD (EARLY MUSTANG)	8022
GM	SMALL GM	8026
	OLDS	8023

Pro-Touring Floater Axle System

FLOATER AXLE SYSTEM AND RADIAL-MOUNT CALIPER WITH DRUM-STYLE PARKING BRAKE SYSTEM



FAB9 Housing Option
Chassisworks FAB9 rear end housings can be purchased with Pro-Touring Floater housing ends installed, ready for paint and final assembly.

Pro-Touring Floater Axle Set

Floater axles feature an extended differential spline to allow shortening of the shaft to the specific length required. The four manufactured lengths accommodate hub-to-hub widths ranging from 51 to 61 inches.

8557-0135	PRO-TOURING FLOATER AXLE SET UNIT HUB-A TO 35-SPLINE DIFFERENTIAL FLANGE-TO-FLANGE LENGTHS OF 51 TO 61 INCHES
OPTION	CENTERED, 1/2" OR 1" OFFSET TO PASSENGER SIDE
NOTE	SPECIAL ORDER PART NOT RETURNABLE FOR ANY REASON



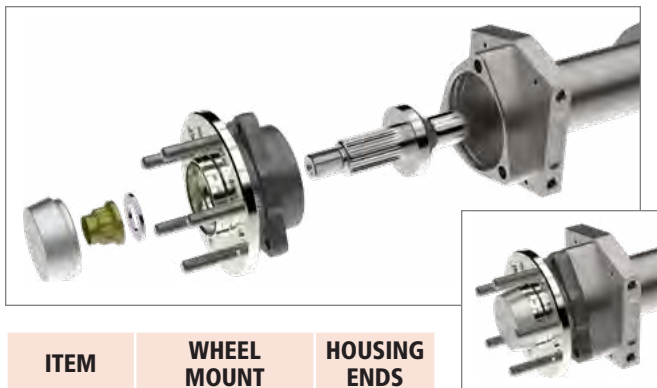
Individual Axles

7968-3335-23A	AXLE UNIT HUB-A 33 X 35 SPLINE, 23" LENGTH
7968-3335-26A	AXLE UNIT HUB-A 33 X 35 SPLINE, 26" LENGTH
7968-3335-29A	AXLE UNIT HUB-A 33 X 35 SPLINE, 29" LENGTH
7968-3335-32A	AXLE UNIT HUB-A 33 X 35 SPLINE, 32" LENGTH



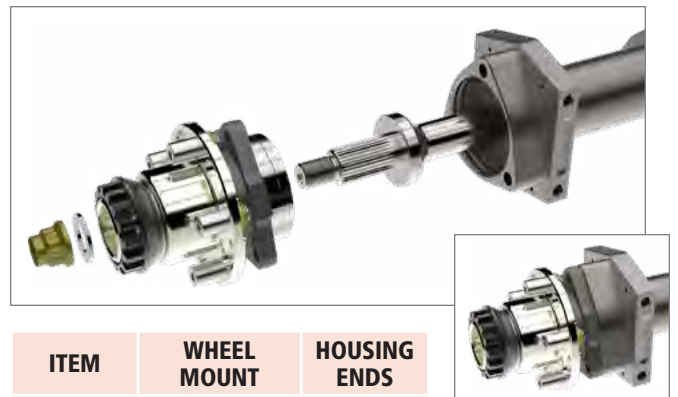
Actual spline length is 4.25" before shortening to required length.

Wheel Stud Hub Assemblies



ITEM	WHEEL MOUNT	HOUSING ENDS
8531-1110	5-ON-4.50" X 2"	ON FAB9
8531-1111	5-ON-4.50" X 2"	INCLUDED
8531-1210	5-ON-4.50" X 3"	ON FAB9
8531-2110	5-ON-4.75" X 2"	ON FAB9
8531-2111	5-ON-4.75" X 2"	INCLUDED
8531-2210	5-ON-4.75" X 3"	ON FAB9

Center-Lock Hub Assemblies



ITEM	WHEEL MOUNT	HOUSING ENDS
8531-4440	SHORT SPINDLE	ON FAB9
	LONG SPINDLE	ON FAB9
8531-4441	SHORT SPINDLE	INCLUDED
	LONG SPINDLE	INCLUDED
NOTES	FOR FORGELINE WHEELS SPINDLE NUT SOLD SEPARATE	

Pro-Touring Floater Axle System

■ Wheel Stud Brakes



■ Center-Lock Brakes



ITEM	VENTED ROTOR		4-PISTON CALIPER	
	SIZE	REGISTER	MAX. DIA.	EXTENDS
8380-14	14 X 1.25"	3.06"	16.00"	0.40"
8380-15	15 X 1.25"	3.06"	16.72"	0.40"

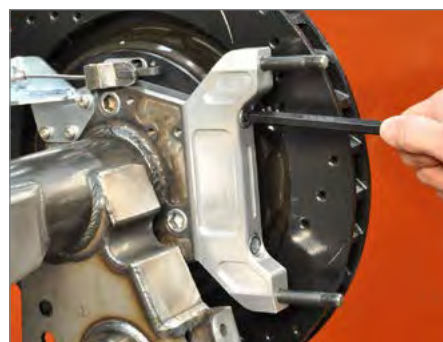
ITEM	VENTED ROTOR		4-PISTON CALIPER	
	SIZE	REGISTER	MAX. DIA.	EXTENDS
8382-14	14 X 1.25"	3.46"	16.00"	0.40"
8382-15	15 X 1.25"	3.46"	16.72"	0.40"

■ 4-Piston Calipers

- Aero4 radial mount
- 4-piston, stainless
- Flow-forged aluminum
- Gloss-black powder coat



■ OPTION - Drum-Style Parking Brake



REAR SUSPENSION

Terms and Conditions

■ ORDERING

Business Hours: We are open from 7:00 a.m. to 5:30 p.m. , Pacific Time, Monday through Friday, and 8:00 a.m. to 1:00 p.m. Saturday. Call (800) 722-2269 for ordering only; tech support by email only: tech@CACHassisworks.com. Our 24-hour fax number is (916) 388-0295.

Mail Orders: When submitting your order by mail, please provide the following information: name, billing address, shipping address, phone numbers, e-mail address, complete part numbers, quantities, and any special instructions.

Credit Card Orders: We accept Visa, MasterCard, Discover Card and American Express. Please have your credit card and the billing address available. In order to protect you and us from credit-card fraud, all credit-card orders must be shipped to the credit-card billing address or creditor authorized shipping address. Many credit card companies allow multiple shipping addresses. If necessary, you may need to call your Issuing Bank and establish your "ship-to" address. All freight charges will be added to your shipment (except for truck shipments). Customer is responsible for all costs due to refused or missed shipments.

Foreign Orders: All foreign orders must be fully prepaid (including freight) in U.S. funds. Required duties and taxes are not the responsibility of Chassisworks and must be paid by the customer to the appropriate parties.

■ SHIPPING

All of our roll bars, roll cages, chassis, and welded clips are shipped by LTL truck, freight collect. Most other shipments can be sent by a small-package carrier — ground service. Available air-delivery options include: next-day service, 2-day service, 3-day service, or deferred air service to Alaska , Hawaii & Puerto Rico (combination of air and ground). You must inform us if you want your shipment by air service. Additional shipping fees will be applied to your order.

Truck: All truck shipments must be 100-percent prepaid. The shipment will go collect for the freight charges only. When receiving freight via truck, it is the customer's responsibility to verify that he/she is receiving all parts listed on the bill of lading and that all parts received are in good condition. If you sign for something you do not receive, neither the freight company nor Chassisworks/KP Components/Total Control Products/VariShock will be responsible for replacing the item.

■ RETURNS AND CLAIMS

No claims or returns accepted after 30 days from date of invoice. We will only accept a return on a part that has not been modified, is still in package and is in like-new condition. You will be charged a 25-percent restocking fee on any returned goods. And you will be issued a credit with us for the balance of the price you paid for the returned part. Before returning a part, you must call us. You will be given a "Return Authorization Number" (RA#), which you must write on the outside of the box being returned. A copy of the original invoice must be included. All shipping charges on return packages must be prepaid; we will not accept a C.O.D. If, upon examination, all parts are returned and all parts are in a like-new condition, a credit will be issued less the 25-percent restocking fee. No returns on special-order parts (including, but not limited to, axles, FAB9 housings, fiberglass, chassis, welded frames, any part made or ordered to customer specs, etc.). Springs are a tuning item and cannot be returned unless defective.

Back Orders: If any parts are back-ordered, they will be so noted on the invoice. Unless notified otherwise, we will ship the back-ordered parts as soon as they become available.

■ FREIGHT CLAIMS

All claims for damages, shortage, or loss must be made immediately with the carrier (i.e., UPS or the freight line). You must note any substantial damage to a package upon receipt of the shipment with the carrier. You may reorder any missing pieces from us. We will send you an invoice for the reordered parts, and you can use this invoice as proof to the carrier of replacement costs. Unfortunately, we cannot make these freight claims for you; however, if we can be of any assistance, please feel free to give us a call.

Missing Pieces: Although every effort is made to ensure that each part is packaged complete, inevitably, a component may be missing. You must check each kit as soon as you receive it against the parts list which is enclosed with each part. Any shortage must be reported immediately upon receipt of the product. Claims made after 10 days will not be honored.

■ WARRANTY NOTICE

There are NO WARRANTIES, either expressed or implied. Neither the seller nor manufacturer will be liable for any loss, damage or injury, either direct or indirect, arising from the use or inability to determine the appropriate use of any product. Before any attempt at installation, all drawings and/or instruction sheets should be completely reviewed to determine the suitability of the product for its intended use. In this connection, the user assumes all responsibility and risk. We reserve the right to change specification without notice. Further, Chris Alston's Chassisworks, Inc., makes NO GUARANTEE in reference to any specific class legality of any component. ALL PRODUCTS ARE INTENDED FOR RACING AND OFF-ROAD USE AND MAY NOT BE LEGALLY USED ON THE HIGHWAY. The products offered for sale are true race-car components and, in all cases, require some fabrication skill. NO PRODUCT OR SERVICE IS DESIGNED OR INTENDED TO PREVENT INJURY OR DEATH.

■ PRODUCT COLORS

Many of the items herein are colored for display purposes only. Your merchandise may arrive as bare metal, or in some finish other than that displayed in this catalog. Please read individual product descriptions for specifics on available finishes and/or discuss with your sales representative.

ALL PRICES ARE SUBJECT TO CHANGE.

Revised: 04/01/21

The most current version of our terms can be viewed at the Chassisworks website — www.CACHassisworks.com/cac_terms.html.



8661 Younger Creek Drive
Sacramento, CA 95828

■ Chassis-Builder Discounts!

Yes, your shop could qualify for special Builder-Program pricing on popular Chassisworks, KP Components, Total Control, and VariShock products!

For details and price quotes, please contact Carl Robinson at (888) 388-0201, Ext. 7612 or crobinson@cachassisworks.com.

- Toll-Free Order Line: (800) 722-2269
- Customer Service and International: (916) 388-0288
- 24-Hour Fax: (916) 388-0295
- Tech Support: tech@cachassisworks.com

- Website: www.CAChassisworks.com



**SEE IT
BUY IT,
ONLINE.
FIND IT IN THE
E-STORE!**

IT'S NEVER BEEN EASIER TO ORDER EXACTLY WHAT YOU WANT, WHEN YOU WANT IT!

Browse, research, and choose from thousands of products throughout each of the Chassisworks brands in our online store. Many of our complete systems can be custom configured with our easy-to-use option selectors, allowing you to price and purchase exactly what you need for your project.

■ Product information for each of the Chris Alston's Chassisworks brands is available through its respective Website:

www.CAChassisworks.com

www.KPcomponents.com

www.TotalControlProducts.com

www.VariShock.com

