

WARRANTY NOTICE:

There are **NO WARRANTIES**, either expressed or implied. Neither the seller nor manufacturer will be liable for any loss, damage or injury, direct or indirect, arising from the use or inability to determine the appropriate use of any product. Before any attempt at installation, all drawings and/or instruction sheets should be completely reviewed to determine the suitability of the product for its intended use. In this connection, the user assumes all responsibility and risk. We reserve the right to change specification without notice. Further, Chris Alston's Chassisworks, Inc., makes **NO GUARANTEE** in reference to any specific class legality of any component. **ALL PRODUCTS ARE INTENDED FOR RACING AND OFF-ROAD USE AND MAY NOT BE LEGALLY USED ON THE HIGHWAY.** The products offered for sale are true race-car components and, in all cases, require some fabrication skill. **NO PRODUCT OR SERVICE IS DESIGNED OR INTENDED TO PREVENT INJURY OR DEATH.**



Total Control Products
A Chris Alston's Chassisworks, Inc. Brand
8661 Younger Creek Drive
Sacramento, CA 95828
Phone: 916-388-0288
Technical Support: tcptech@cachassisworks.com

7903-TOOL-02

REV 01/19/07

INSTALLATION GUIDE



Upper Arm Drill Jig

For 1960 - 1970 Fords with 4.75" Upper Control Arm Mounting Hole Spacing

P/N: TCP TOOL-02

DESCRIPTION:

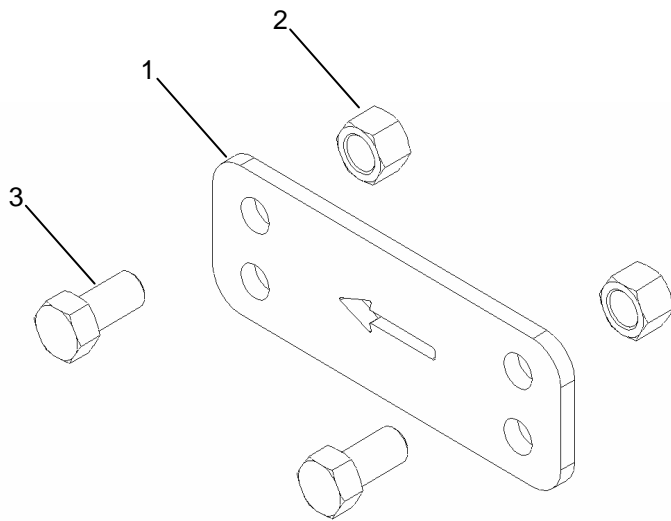
DRILL JIG FOR LOWERING THE MOUNTING POINT OF THE UPPER CONTROL ARM 1". LOWER MOUNTING POINT INCREASES NEGATIVE CAMBER GAIN RESULTING IN BETTER HANDLING AND IMPROVED TIRE WEAR

APPLICATIONS:

FITS '66 - '70 FORDS WITH 1/2" UPPER ARM MOUNTING HOLES SPACED 4.75" APART

PARTS LIST

Item	Part Number	Description	Qty
1	7905-025	Upper Arm Drill Jig	1
2	-	1/2" Nut	0
3	-	1/2" Bolt (minimum length 1")	0



INSTRUCTIONS

Upper control arm must be removed before proceeding.

- 1) Bolt lowering template (Item 1), to shock tower with 1/2" bolts, not provided. (Figure 2-1)
 - a. Arrow must point toward front of car.

New lowered holes will be 1" lower and square to factory holes.

- 2) With drill jig securely in place, use 1/2" bit to drill two holes to create new mounting location for upper arm.
- 3) A round file can be used to remove burrs or sharp edges.
- 4) We recommend spray painting the newly exposed metal to protect against rust.

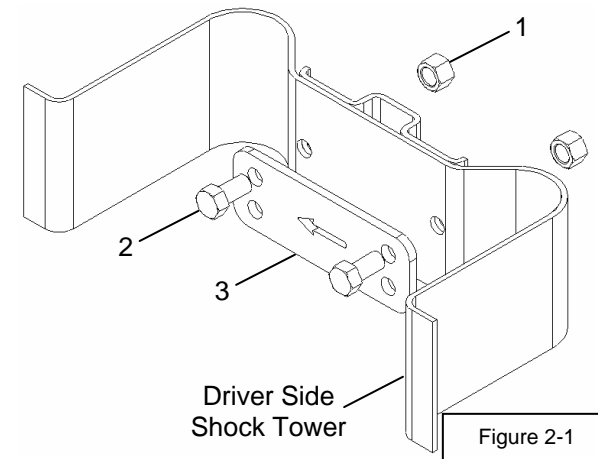


Figure 2-1